

---

# Underwater Connectors Wet-Mate Series

---

CONTENTS

**Oceanscan Limited**  
Denmore Road, Bridge of Don  
Aberdeen, AB23 8J

**T** +44 (0)1224 707000  
**E** sales@oceanscan.co.uk

[www.oceanscan.com](http://www.oceanscan.com)

oceanscan ™

A member of Venterra Group Plc

# About Oceanscan

## We know that quality starts with people

Our team is made up of skilled, passionate professionals who take pride in doing things the right way, every time.

Our highly experienced technical sales teams guide you through the process whether your requirements be subsea survey, NDT, calibrations, consumables, geotechnical services or our wide range of personnel hire disciplines.

We bring expertise, dedication and a deep commitment to safety and reliability to every project. Our commitment to exceptional customer service doesn't stop there.

At Oceanscan we understand that it's not just about meeting industry standards, it's about setting them and that's why our dedicated support staff across engineering, finance and logistics work tirelessly to ensure all aspects of your customer experience are handled with care and attention every time.

We believe in working with integrity, looking out for each other, and delivering results that stand the test of time. When you work with Oceanscan, you're not just getting world-class solutions you're getting a team that truly cares about you.

## Global Reach

Supporting industries worldwide with offices in Aberdeen, Houston, Singapore, and more.

## Tailored Solutions

Equipment rentals, testing services, and personnel to meet your specific needs.

## 24/7 Support

Around-the-clock assistance to ensure project success.

## We are Building a Sustainable Future

As part of the **Venterra** family, we leverage a strong foundation to expand our global reach and drive innovation and sustainability worldwide.



# Contents

Standard Circular	3
Micro Circular	19
Low Profile	34
Low Profile Micro	50
High Power	55
Power Battery	59
Coax 50ohm	63
Rubber Molded	67
Ethernet	73
IE8	89
Wet Metal Shell	93
Accessories	97
General Information	105



# Standard Circular

Bulkhead

Inline

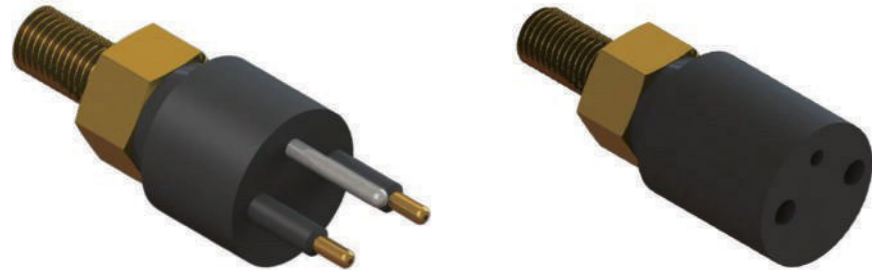
Overmold

Attachable

Dummy



# Standard Circular / Bulkhead Contact 2, 3, 4, 5



## OPERATION SPECIFICATION

Max. voltage	600 V DC
Current rating @contact	10A
Max. current @connector	Contact 2: 20A Contact 3,4,5: 30A Contact 6,8,10: 50A Contact 12,16: 60A
Insulation resistance	>200 Mohm
Contact resistance	<0.01 ohm
Wet matings	>500
Depth rating	600 bar (300 bar for PEEK)
Temperature rating	-40 to 60°C

## MATERIAL SPECIFICATION

Connector body	Chloroprene rubber
Bulkhead body	Brass (BR), stainless steel 316(SS), anodized aluminum (AL), titanium (TI), PEEK (PE)
Contact	Gold plated brass
Socket	Beryllium copper
Location pin	Contact 2,3,4,5,6,8,10: stainless steel 316 Contact 12,16: N/A
Bulkhead leads	AWG 18 PTFE, 30cm
O-rings	Contact 2,3,4,5: NBR 2-014 Contact 6,8,10,: NBR 2-017 Contact 12,16,: NBR 2-022

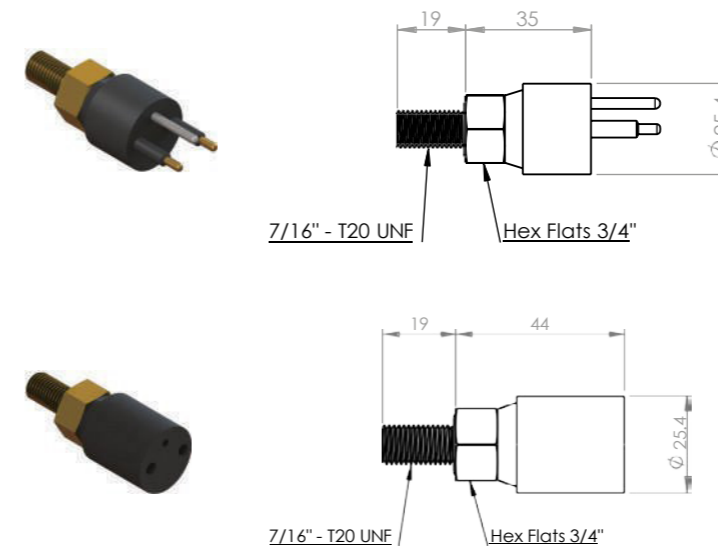
## STANDARD CIRCULAR / BULKHEAD / MALE / CONTACT 2,3,4,5

Male	Contact	Inline	Dummy	Locking Sleeve
Order No.				
BH2M	2	IL2F	DC2F	DLSAM
BH3M	3	IL3F	DC3F	DLSAM
BH4M	4	IL4F	DC4F	DLSAM
BH5M	5	IL5F	DC5F	DLSAM

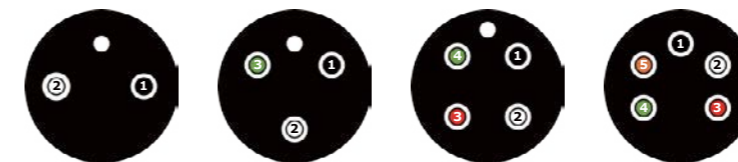
## STANDARD CIRCULAR / BULKHEAD / FEMALE / CONTACT 2,3,4,5

Female	Contact	Inline	Dummy	Locking Sleeve
Order No.				
BH2F	2	IL2M	DC2M	DLSAF
BH3F	3	IL3M	DC3M	DLSAF
BH4F	4	IL4M	DC4M	DLSAF
BH5F	5	IL5M	DC5M	DLSAF

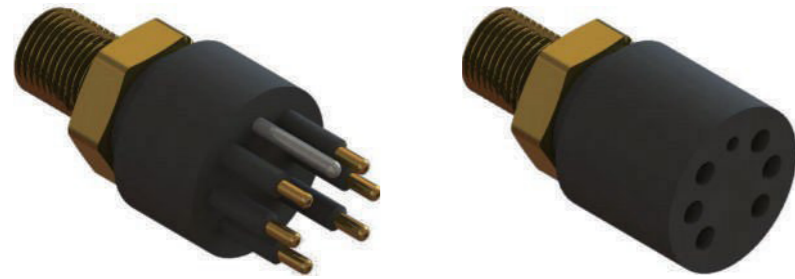
Dimensions in mm, Thread in inches



## FACE VIEW (MALE)



# Standard Circular / Bulkhead Contact 6, 8, 10



## OPERATION SPECIFICATION

Max. voltage	600 V DC
Current rating @contact	10A
Max. current @connector	Contact 2: 20A Contact 3,4,5: 30A Contact 6,8,10: 50A Contact 12,16: 60A
Insulation resistance	>200 Mohm
Contact resistance	<0.01 ohm
Wet matings	>500
Depth rating	600 bar (300 bar for PEEK)
Temperature rating	-40 to 60°C

## MATERIAL SPECIFICATION

Connector body	Chloroprene rubber
Bulkhead body	Brass (BR), stainless steel 316(SS), anodized aluminum (AL), titanium (TI), PEEK (PE)
Contact	Gold plated brass
Socket	Beryllium copper
Location pin	Contact 2,3,4,5,6,8,10: stainless steel 316 Contact 12,16: N/A
Bulkhead leads	AWG 18 PTFE, 30cm
O-rings	Contact 2,3,4,5: NBR 2-014 Contact 6,8,10,: NBR 2-017 Contact 12,16,: NBR 2-022

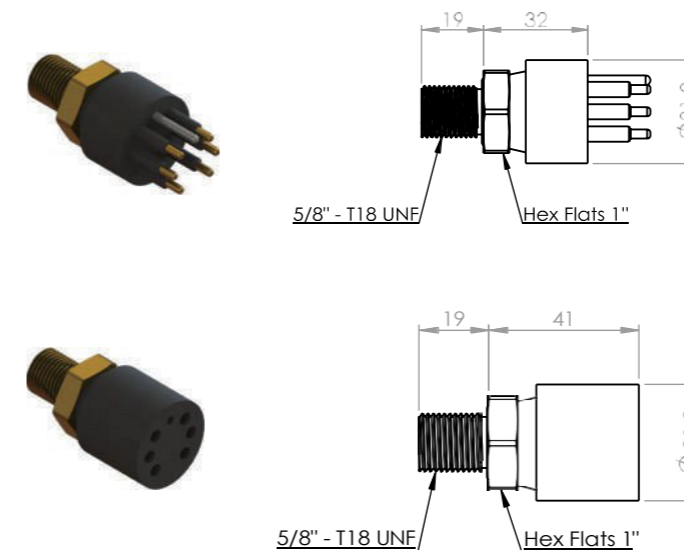
## STANDARD CIRCULAR / BULKHEAD / MALE / CONTACT 6,8,10

Male	Contact	Inline	Dummy	Locking Sleeve
Order No.				
BH6M	6	IL6F	DC6F	DLSBM
BH8M	8	IL8F	DC8F	DLSBM
BH10M	10	IL10F	DC10F	DLSBM

## STANDARD CIRCULAR / BULKHEAD / FEMALE / CONTACT 6,8,10

Female	Contact	Inline	Dummy	Locking Sleeve
Order No.				
BH6F	6	IL6M	DC6M	DLSBF
BH8F	8	IL8M	DC8M	DLSBF
BH10F	10	IL10M	DC10M	DLSBF

Dimensions in mm, Thread in inches



## FACE VIEW (MALE)



# Standard Circular / Bulkhead Contact 12



## OPERATION SPECIFICATION

Max. voltage	600 V DC
Current rating @contact	10A
Max. current @connector	Contact 2: 20A Contact 3,4,5: 30A Contact 6,8,10: 50A Contact 12,16: 60A
Insulation resistance	>200 Mohm
Contact resistance	<0.01 ohm
Wet matings	>500
Depth rating	600 bar (300 bar for PEEK)
Temperature rating	-40 to 60°C

## MATERIAL SPECIFICATION

Connector body	Chloroprene rubber
Bulkhead body	Brass (BR), stainless steel 316(SS), anodized aluminum (AL), titanium (TI), PEEK (PE)
Contact	Gold plated brass
Socket	Beryllium copper
Location pin	Contact 2,3,4,5,6,8,10: stainless steel 316 Contact 12,16: N/A
Bulkhead leads	AWG 18 PTFE, 30cm
O-rings	Contact 2,3,4,5: NBR 2-014 Contact 6,8,10,: NBR 2-017 Contact 12,16,: NBR 2-022

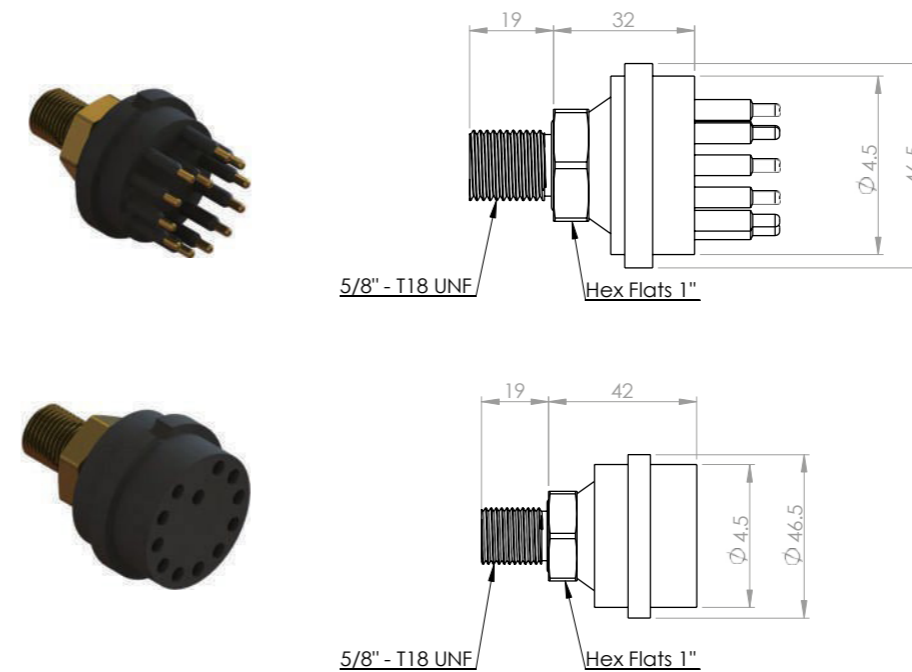
## STANDARD CIRCULAR / BULKHEAD / MALE / CONTACT 12

Male	Contact	Inline	Dummy	Locking Sleeve
Order No.				
BH12M	12	IL12F	DC12F	DLSAM

## STANDARD CIRCULAR / BULKHEAD / FEMALE / CONTACT 12

Female	Contact	Inline	Dummy	Locking Sleeve
Order No.				
BH12F	12	IL12M	DC12M	DLSCF

Dimensions in mm, Thread in inches



## FACE VIEW (MALE)



# Standard Circular / Bulkhead Contact 16



## OPERATION SPECIFICATION

Max. voltage	600 V DC
Current rating @contact	10A
Max. current @connector	Contact 2: 20A Contact 3,4,5: 30A Contact 6,8,10: 50A Contact 12,16: 60A
Insulation resistance	>200 Mohm
Contact resistance	<0.01 ohm
Wet matings	>500
Depth rating	600 bar (300 bar for PEEK)
Temperature rating	-40 to 60°C

## MATERIAL SPECIFICATION

Connector body	Chloroprene rubber
Bulkhead body	Brass (BR), stainless steel 316(SS), anodized aluminum (AL), titanium (TI), PEEK (PE)
Contact	Gold plated brass
Socket	Beryllium copper
Location pin	Contact 2,3,4,5,6,8,10: stainless steel 316 Contact 12,16: N/A
Bulkhead leads	AWG 18 PTFE, 30cm
O-rings	Contact 2,3,4,5: NBR 2-014 Contact 6,8,10,: NBR 2-017 Contact 12,16,: NBR 2-022

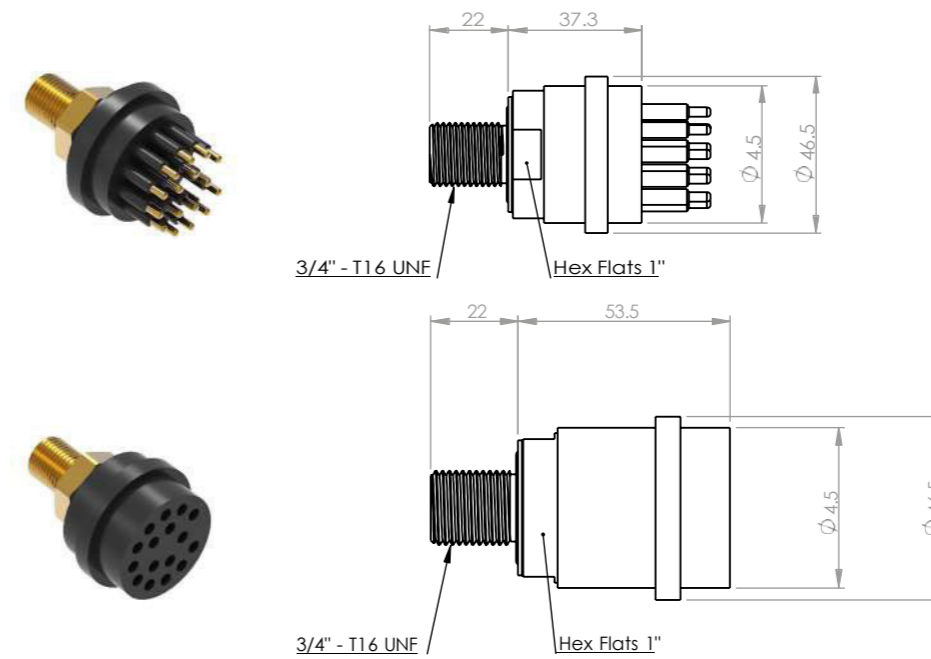
## STANDARD CIRCULAR / BULKHEAD / MALE / CONTACT 16

Male	Contact	Inline	Dummy	Locking Sleeve
Order No.				
BH16M	16	IL16F	DC16F	DDLSCM

## STANDARD CIRCULAR / BULKHEAD / FEMALE / CONTACT 16

Female	Contact	Inline	Dummy	Locking Sleeve
Order No.				
BH16F	16	IL16M	DC16M	DLSCF

Dimensions in mm, Thread in inches



## FACE VIEW (MALE)



# Standard Circular / Inline Contact 1



## OPERATION SPECIFICATION

Max. voltage	600 V DC
Current rating @contact	10A
Insulation resistance	>200 Mohm
Contact resistance	<0.01 ohm
Wet matings	>500 cycles
Depth rating	600 bar
Temperature rating	-40 to 60°C

## MATERIAL SPECIFICATION

Connector body	Chloroprene rubber
Contact	Gold plated brass
Socket	Beryllium copper
Inline cable	AWG 18 Neoprene, 60cm

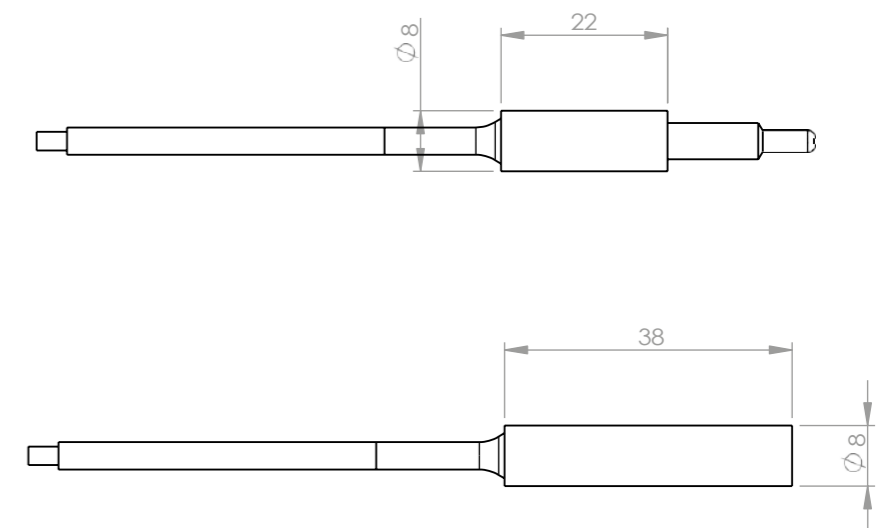
## STANDARD CIRCULAR / INLINE / MALE / CONTACT 1

Male	Contact	OM	Dummy	Locking Sleeve
Order No.				
IL1M	1	OM1M	DC1F	DLSMM

## STANDARD CIRCULAR / INLINE / FEMALE / CONTACT 1

Female	Contact	OM	Dummy	Locking Sleeve
Order No.				
IL1F	1	OM1F	DC1M	DLSMF

Dimensions in mm, Thread in inches



# Standard Circular / Inline Contact 2, 3, 4, 5



### OPERATION SPECIFICATION

Max. voltage	600 V DC
Current rating @contact	10A
Max. current @connector	Contact 2: 20A Contact 3,4,5: 30A Contact 6,8,10: 50A Contact 12,16: 60A
Insulation resistance	>200 Mohm
Contact resistance	<0.01 ohm
Wet matings	>500
Depth rating	600 bar
Temperature rating	-40 to 60°C

### MATERIAL SPECIFICATION

Connector body	Chloroprene rubber
Contact	Gold plated brass
Socket	Beryllium copper
Location pin	Contact 2,3,4,5,6,8,10: stainless steel 316 Contact 12,16: N/A
Inline cable	Contact 2,3,4,6,8: AWG 16 Neoprene, 60cm Contact 5,10,12,16: AWG 18 Neoprene, 60cm

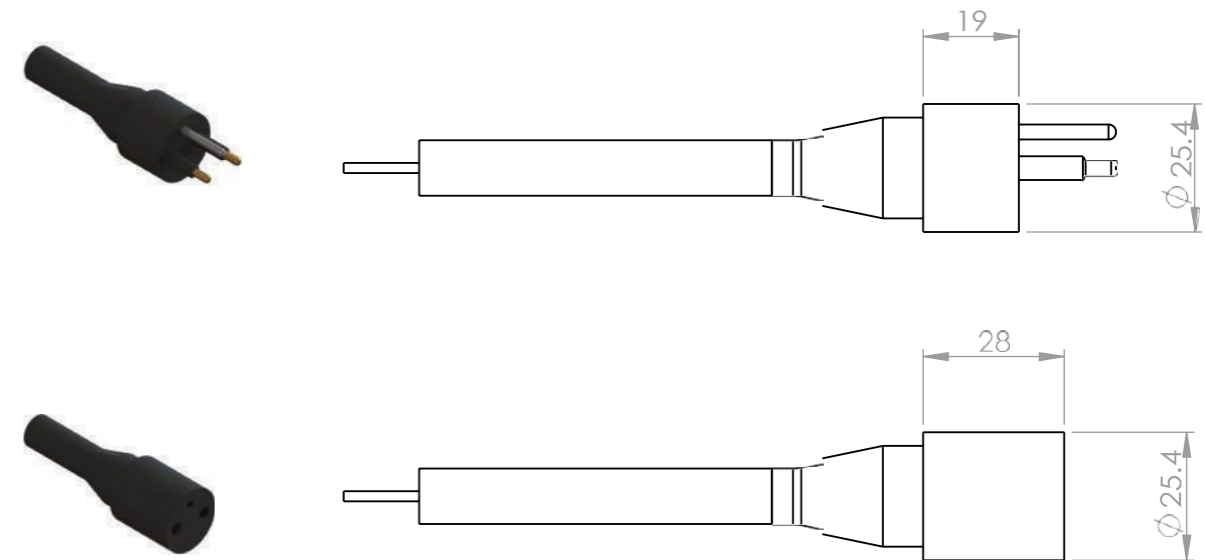
### STANDARD CIRCULAR / INLINE / MALE / CONTACT 2,3,4,5

Male	Contact	Bulkhead	Dummy	Locking Sleeve
Order No.				
IL2M	2	BH2F	DC2F	DLSAM
IL3M	3	BH3F	DC3F	DLSAM
IL4M	4	BH4F	DC4F	DLSAM
IL5M	5	BH5F	DC5F	DLSAM

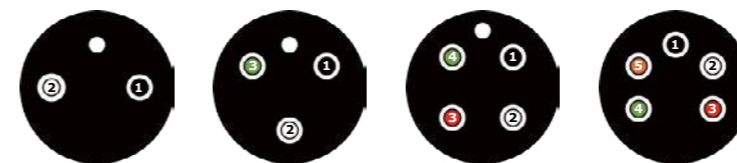
### STANDARD CIRCULAR / INLINE / FEMALE / CONTACT 2,3,4,5

Female	Contact	Bulkhead	Dummy	Locking Sleeve
Order No.				
IL2F	2	BH2M	DC2M	DLSAF
IL3F	3	BH3M	DC3M	DLSAF
IL4F	4	BH4M	DC4M	DLSAF
IL5F	5	BH5M	DC5M	DLSAF

Dimensions in mm, Thread in inches



### FACE VIEW (MALE)



# Standard Circular / Inline Contact 6, 8, 10



### OPERATION SPECIFICATION

Max. voltage	600 V DC
Current rating @contact	10A
Max. current @connector	Contact 2: 20A Contact 3,4,5: 30A Contact 6,8,10: 50A Contact 12,16: 60A
Insulation resistance	>200 Mohm
Contact resistance	<0.01 ohm
Wet matings	>500
Depth rating	600 bar
Temperature rating	-40 to 60°C

### MATERIAL SPECIFICATION

Connector body	Chloroprene rubber
Contact	Gold plated brass
Socket	Beryllium copper
Location pin	Contact 2,3,4,5,6,8,10: stainless steel 316 Contact 12,16: N/A
Inline cable	Contact 2,3,4,6,8: AWG 16 Neoprene, 60cm Contact 5,10,12,16: AWG 18 Neoprene, 60cm

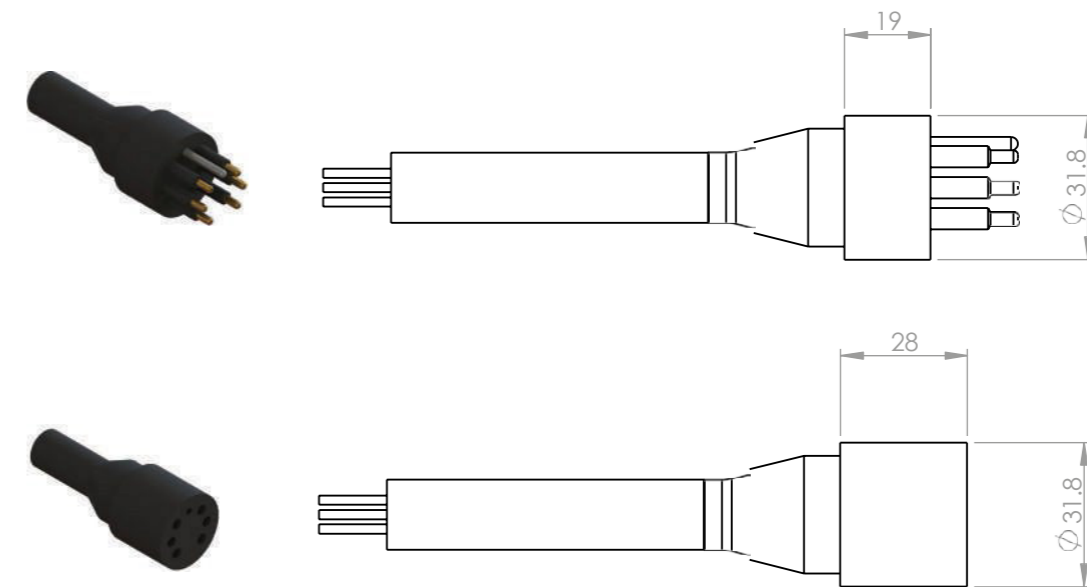
### STANDARD CIRCULAR / INLINE / MALE / CONTACT 6,8,10

Male	Contact	Bulkhead	Dummy	Locking Sleeve
Order No.				
IL6M	6	BH6F	DC6F	DLSBM
IL8M	8	BH8F	DC8F	DLSBM
IL10M	10	BH10F	DC10F	DLSBM

### STANDARD CIRCULAR / INLINE / FEMALE / CONTACT 6,8,10

Female	Contact	Bulkhead	Dummy	Locking Sleeve
Order No.				
IL6F	6	BH6M	DC6M	DLSBF
IL8F	8	BH8M	DC8M	DLSBF
IL10F	10	BH10M	DC10M	DLSBF

Dimensions in mm, Thread in inches



### FACE VIEW (MALE)



# Standard Circular / Inline Contact 12, 16



### OPERATION SPECIFICATION

Max. voltage	600 V DC
Current rating @contact	10A
Max. current @connector	Contact 2: 20A Contact 3,4,5: 30A Contact 6,8,10: 50A Contact 12,16: 60A
Insulation resistance	>200 Mohm
Contact resistance	<0.01 ohm
Wet matings	>500
Depth rating	600 bar
Temperature rating	-40 to 60°C

### MATERIAL SPECIFICATION

Connector body	Chloroprene rubber
Contact	Gold plated brass
Socket	Beryllium copper
Location pin	Contact 2,3,4,5,6,8,10: stainless steel 316 Contact 12,16: N/A
Inline cable	Contact 2,3,4,6,8: AWG 16 Neoprene, 60cm Contact 5,10,12,16: AWG 18 Neoprene, 60cm

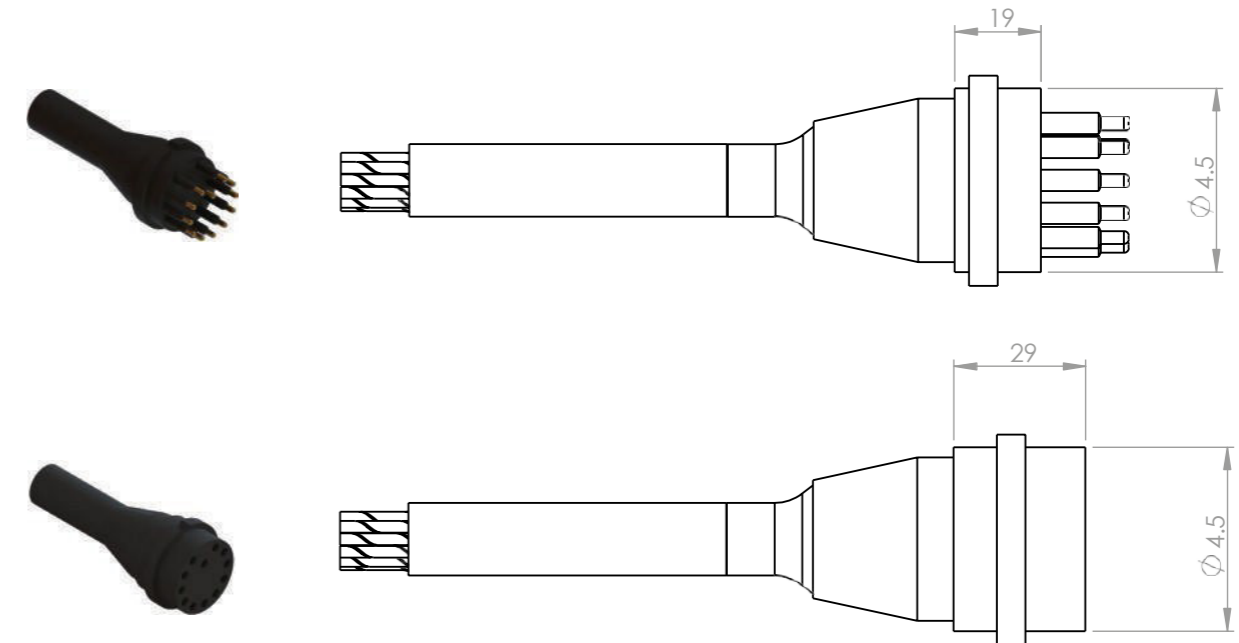
### STANDARD CIRCULAR / INLINE / MALE / CONTACT 12,16

Male	Contact	Bulkhead	Dummy	Locking Sleeve
Order No.				
IL12M	12	BH12F	DC12F	DLSCM
IL16M	16	BH16F	DC16F	DLSCM

### STANDARD CIRCULAR / INLINE / FEMALE / CONTACT 12,16

Female	Contact	Bulkhead	Dummy	Locking Sleeve
Order No.				
IL12F	12	BH12M	DC12M	DLSCF
IL16F	16	BH16M	DC16M	DLSCF

Dimensions in mm, Thread in inches



### FACE VIEW (MALE)



# Standard Circular / Overmold Contact 1



### OPERATION SPECIFICATION

Max. voltage	600 V DC
Current rating @contact	10A
Insulation resistance	>200 Mohm
Contact resistance	<0.01 ohm
Wet matings	>500
Depth rating	600 bar
Temperature rating	-40 to 60°C

### MATERIAL SPECIFICATION

Connector body	Chloroprene rubber
Contact	Gold plated brass
Socket	Beryllium copper

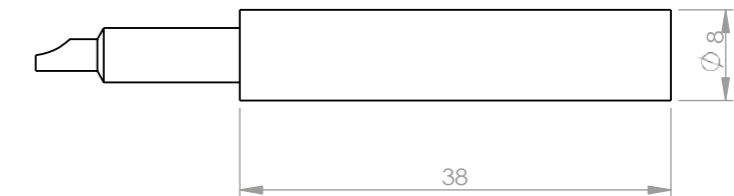
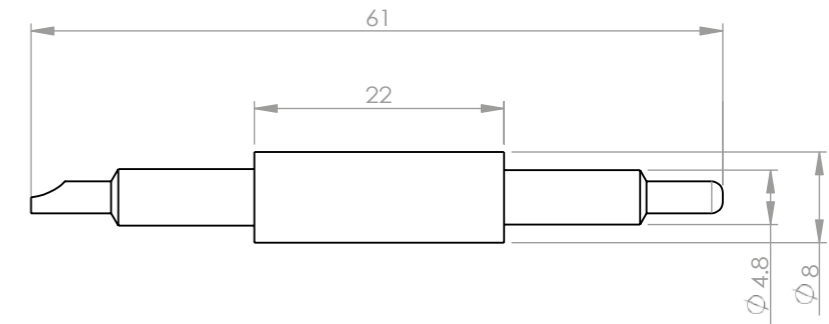
### STANDARD CIRCULAR / OVERMOLD / MALE / CONTACT 1

Male	Contact	Inline	Dummy	Locking Sleeve
Order No.				
OM1M	1	IL1M	DC1F	DLSMM

### STANDARD CIRCULAR / OVERMOLD / FEMALE / CONTACT 1

Female	Contact	Inline	Dummy	Locking Sleeve
Order No.				
OM1F	1	IL1F	DC1M	DLSMF

Dimensions in mm, Thread in inches



# Standard Circular / Overmold Contact 2, 3, 4, 5



### OPERATION SPECIFICATION

Max. voltage	600 V DC
Current rating @contact	10A
Max. current @connector	Contact 2: 2A Contact 3,4,5: 30A Contact 6,8,10: 50A Contact 12,16: 60A
Insulation resistance	>200 Mohm
Contact resistance	<0.01 ohm
Wet matings	>500
Depth rating	600 bar
Temperature rating	-40 to 60°C

### MATERIAL SPECIFICATION

Connector body	Chloroprene rubber
Bulkhead body	Brass (BR)
Contact	Gold plated brass
Socket	Beryllium copper
Location pin	Stainless steel 316
Bulkhead leads	AWG 18 PTFE, 10cm
O-rings	N/A

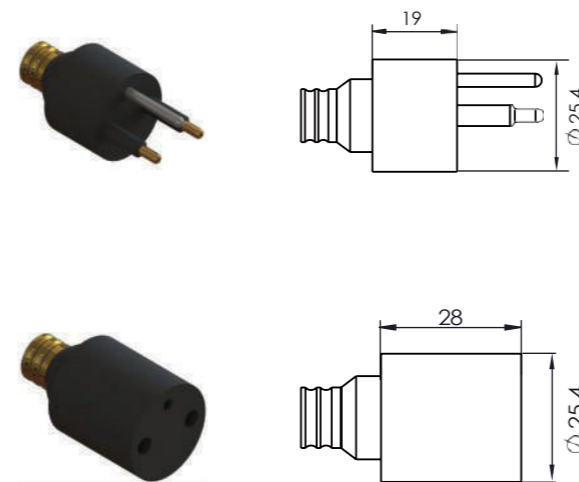
### STANDARD CIRCULAR / OVERMOLD / MALE / CONTACT 2,3,4,5

Male	Contact	Inline	Dummy	Locking Sleeve
Order No.				
OM2M	2	IL2M	DC2F	DLSAM
OM3M	3	IL3M	DC3F	DLSAM
OM4M	4	IL4M	DC4F	DLSAM
OM5M	5	IL5M	DC5F	DLSAM

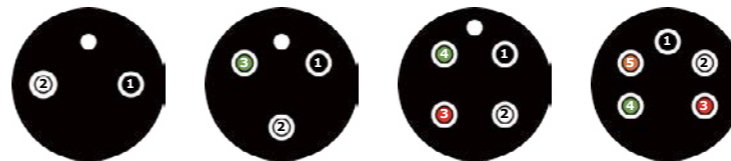
### STANDARD CIRCULAR / OVERMOLD / FEMALE / CONTACT 2,3,4,5

Female	Contact	Inline	Dummy	Locking Sleeve
Order No.				
OM2F	2	IL2F	DC2M	DLSAF
OM3F	3	IL3F	DC3M	DLSAF
OM4F	4	IL4F	DC4M	DLSAF
OM5F	5	IL5F	DC5M	DLSAF

Dimensions in mm, Thread in inches



### FACE VIEW (MALE)



# Standard Circular / Overmold Contact 6, 8, 10



## OPERATION SPECIFICATION

Max. voltage	600 V DC
Current rating @contact	10A
Max. current @connector	Contact 2: 2A Contact 3,4,5: 30A Contact 6,8,10: 50A Contact 12,16: 60A
Insulation resistance	>200 Mohm
Contact resistance	<0.01 ohm
Wet matings	>500
Depth rating	600 bar
Temperature rating	-40 to 60°C

## MATERIAL SPECIFICATION

Connector body	Chloroprene rubber
Bulkhead body	Brass (BR)
Contact	Gold plated brass
Socket	Beryllium copper
Location pin	Stainless steel 316
Bulkhead leads	AWG 18 PTFE, 10cm
O-rings	N/A

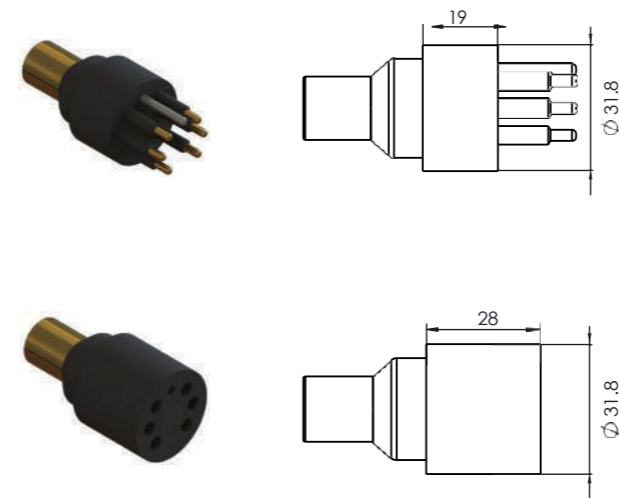
## STANDARD CIRCULAR / OVERMOLD / MALE / CONTACT 6,8,10

Male	Contact	Inline	Dummy	Locking Sleeve
Order No.				
OM6M	6	IL6M	DC6F	DLSBM
OM8M	8	IL8M	DC8F	DLSBM
OM10M	10	IL10M	DC10F	DLSBM

## STANDARD CIRCULAR / OVERMOLD / FEMALE / CONTACT 6,8,10

Female	Contact	Inline	Dummy	Locking Sleeve
Order No.				
OM6F	6	IL6F	DC6M	DLSBF
OM8F	8	IL8F	DC8M	DLSBF
OM10F	10	IL10F	DC10M	DLSBF

Dimensions in mm, Thread in inches



## FACE VIEW (MALE)



# Standard Circular / Overmold Contact 12, 16



### OPERATION SPECIFICATION

Max. voltage	600 V DC
Current rating @contact	10A
Max. current @connector	Contact 2: 2A Contact 3,4,5: 30A Contact 6,8,10: 50A Contact 12,16: 60A
Insulation resistance	>200 Mohm
Contact resistance	<0.01 ohm
Wet matings	>500
Depth rating	600 bar
Temperature rating	-40 to 60°C

### MATERIAL SPECIFICATION

Connector body	Chloroprene rubber
Bulkhead body	Brass (BR)
Contact	Gold plated brass
Socket	Beryllium copper
Location pin	Stainless steel 316
Bulkhead leads	AWG 18 PTFE, 10cm
O-rings	N/A

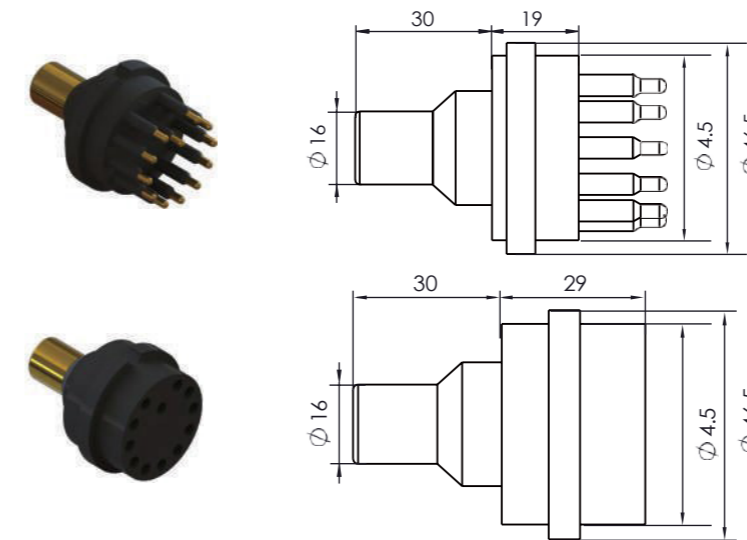
### STANDARD CIRCULAR / OVERMOLD / MALE / CONTACT 12,16

Male	Contact	Inline	Dummy	Locking Sleeve
Order No.				
OM12M	12	IL12M	DC12F	DLSCM
OM16M	16	IL16M	DC16F	DLSCM

### STANDARD CIRCULAR / OVERMOLD / FEMALE / CONTACT 12,16

Female	Contact	Inline	Dummy	Locking Sleeve
Order No.				
OM12F	12	IL12F	DC12M	DLSCF
OM16F	16	IL16F	DC16M	DLSCF

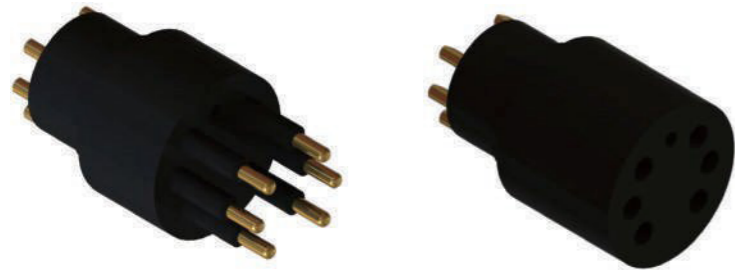
Dimensions in mm, Thread in inches



### FACE VIEW (MALE)



# Standard Circular / Attachable Contact 6, 8



### OPERATION SPECIFICATION

Max. voltage	600 V DC
Current rating @contact	10A
Max. current @connector	5A
Insulation resistance	>200 Mohm
Contact resistance	<0.01 ohm
Wet matings	>500
Depth rating	600 bar
Temperature rating	-40 to 60°C

### MATERIAL SPECIFICATION

Connector body	Chloroprene rubber
Bulkhead body	N/A
Contact	Gold plated brass
Socket	Beryllium copper
Location pin	Stainless steel 316
Bulkhead leads	N/A
O-rings	N/A

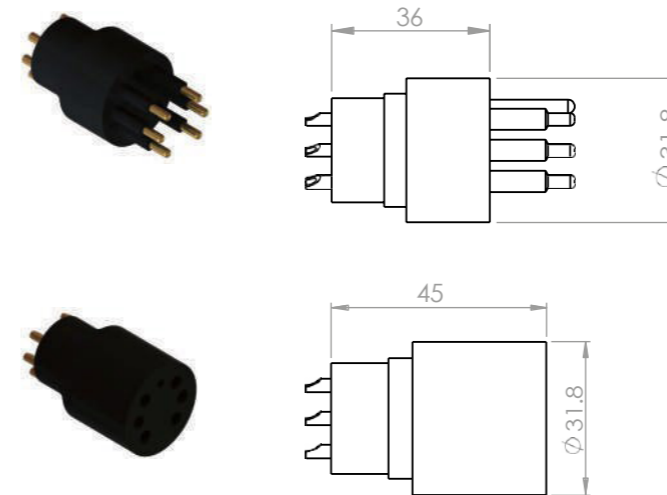
### STANDARD CIRCULAR / ATTACHABLE / MALE / CONTACT 6,8

Male	Contact	Bulkhead	Dummy	Locking Sleeve
Order No.				
AT6M	6	BH6F	DC6F	DLSBM
AT8M	8	BH8F	DC8F	DLSBM

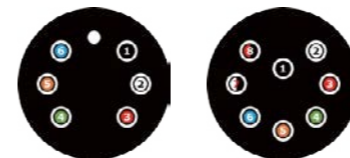
### STANDARD CIRCULAR / ATTACHABLE / FEMALE / CONTACT 6,8

Female	Contact	Bulkhead	Dummy	Locking Sleeve
Order No.				
AT6F	6	BH6M	DC6M	DLSBF
AT8F	8	BH8M	DC8M	DLSBF

Dimensions in mm, Thread in inches



### FACE VIEW (MALE)



# Standard Circular / Dummy

## Contact 1, 2, 3, 4, 5, 6, 8, 10, 12, 16



### OPERATION SPECIFICATION

Wet matings	>500
Temperature rating	-40 to 60°C

### MATERIAL SPECIFICATION

Connector body	Chloroprene rubber
Contact	Gold plated brass
Location pin	Contact 1: N/A Contact 2,3,4,5,6,8,10: stainless steel 316 Contact 12,16: N/A

### STANDARD CIRCULAR / DUMMY / MALE / CONTACT 1

Male	Contact	Inline	OM	Locking Sleeve
Order No.				
DC1M	1	IL1F	OM1F	LSMM

### STANDARD CIRCULAR / DUMMY / FEMALE / CONTACT 1

Female	Contact	Inline	OM	Locking Sleeve
Order No.				
DC1F	1	IL1M	OM1M	LSMF

### STANDARD CIRCULAR / DUMMY / MALE / CONTACT 2,3,4,5,6,8,1,12,16

Male	Contact	Bulkhead	Inline	Locking Sleeve
Order No.				
DC2M	2	BH2F	IL2F	DLSAM
DC3M	3	BH3F	IL3F	DLSAM
DC4M	4	BH4F	IL4F	DLSAM
DC5M	5	BH5F	IL5F	DLSAM
DC6M	6	BH6F	IL6F	DLSBM
DC8M	8	BH8F	IL8F	DLSBM
DC10M	10	BH10F	IL10F	DLSBM
DC12M	12	BH12F	IL12F	DLSCM
DC16M	16	BH16F	IL16F	DLSCM

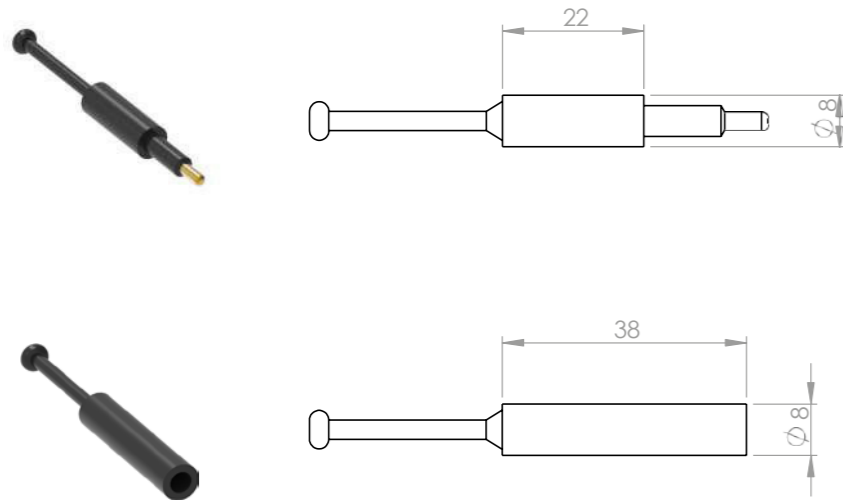
### STANDARD CIRCULAR / DUMMY / FEMALE / CONTACT 2,3,4,5,6,8,1,12,16

Female	Contact	Bulkhead	Inline	Locking Sleeve
Order No.				
DC2F	2	BH2M	IL2M	DLSAF
DC3F	3	BH3M	IL3M	DLSAF
DC4F	4	BH4M	IL4M	DLSAF
DC5F	5	BH5M	IL5M	DLSAF
DC6F	6	BH6M	IL6M	DLSBF
DC8F	8	BH8M	IL8M	DLSBF
DC10F	10	BH10M	IL10M	DLSBF
DC12F	12	BH12M	IL12M	DLSCF
DC16F	16	BH16M	IL16M	DLSCF

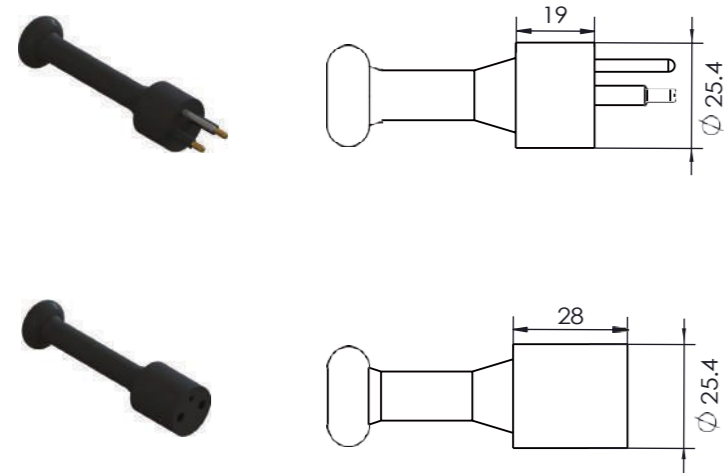
## Standard Circular / Dummy

### Contact 1

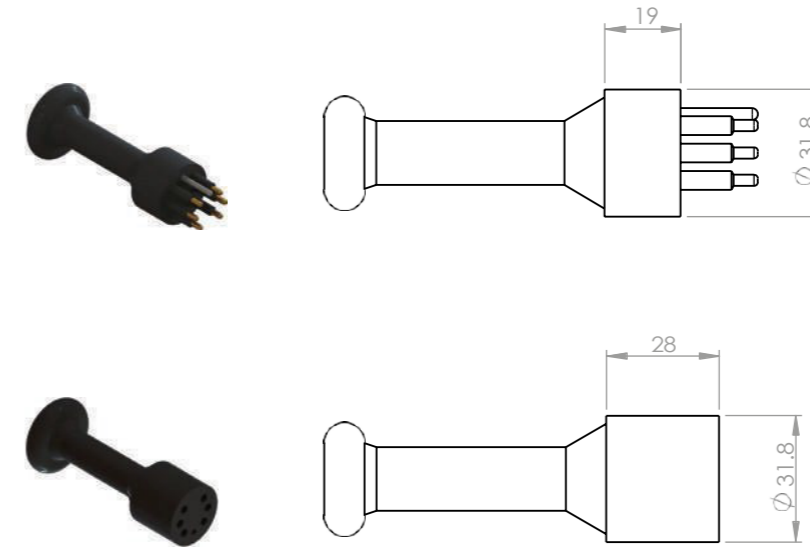
Dimensions in mm, Thread in inches



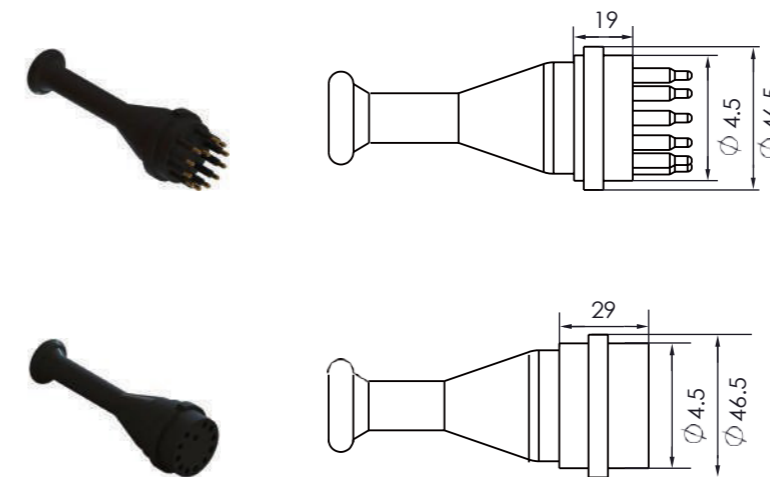
### Contact 2, 3, 4, 5



### Contact 6, 8, 10



### Contact 12, 16



# Micro Circular

G2 Bulkhead

G2 Inline

G2 Dummy

Bulkhead

Inline

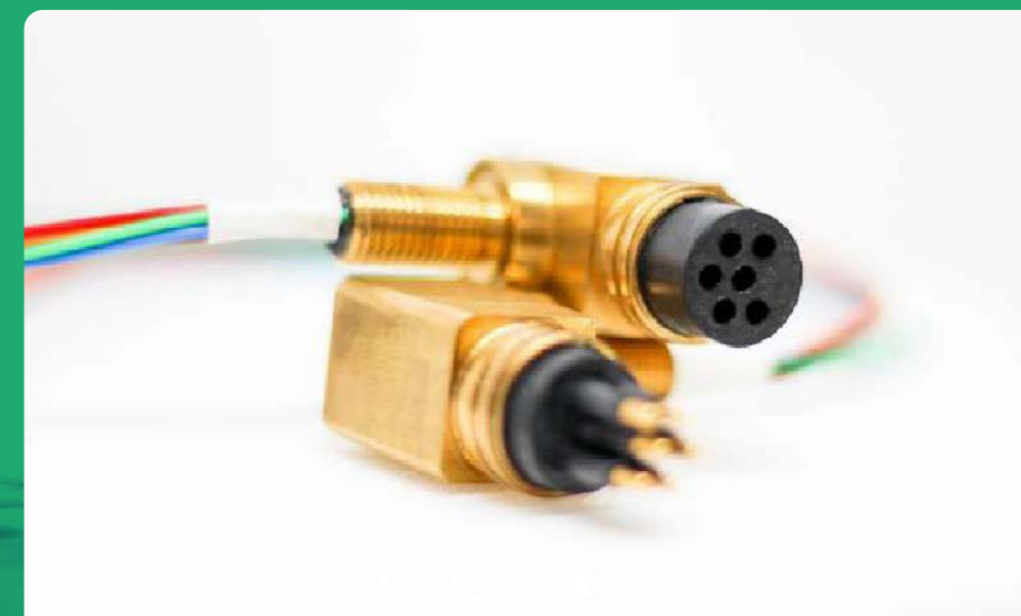
Overmold

Bulkhead Right Angle

PBOF

Double O-ring

Dummy



# Micro Circular G2 / Bulkhead Contact 2, 3, 4

G2 connectors share the same contacts dimension of MC 5, 6, 8



## OPERATION SPECIFICATION

Max. voltage	300 V DC
Current rating @contact	5A
Max. current @connector	20A
Insulation resistance	>200 Mohm
Contact resistance	<0.01 ohm
Wet matings	>500
Depth rating	600 bar (300 bar for PEEK)
Temperature rating	-40 to 60°C

## MATERIAL SPECIFICATION

Connector body	Chloroprene rubber
Bulkhead body	Brass(BR), stainless steel 316(SS), anodized aluminum(AL), titanium(TI), PEEK(PE)
Contact	Gold plated brass
Socket	Beryllium copper
Location pin	Stainless steel 316
Bulkhead leads	AWG 2 PTFE, 30cm
O-rings	NBR 2-014

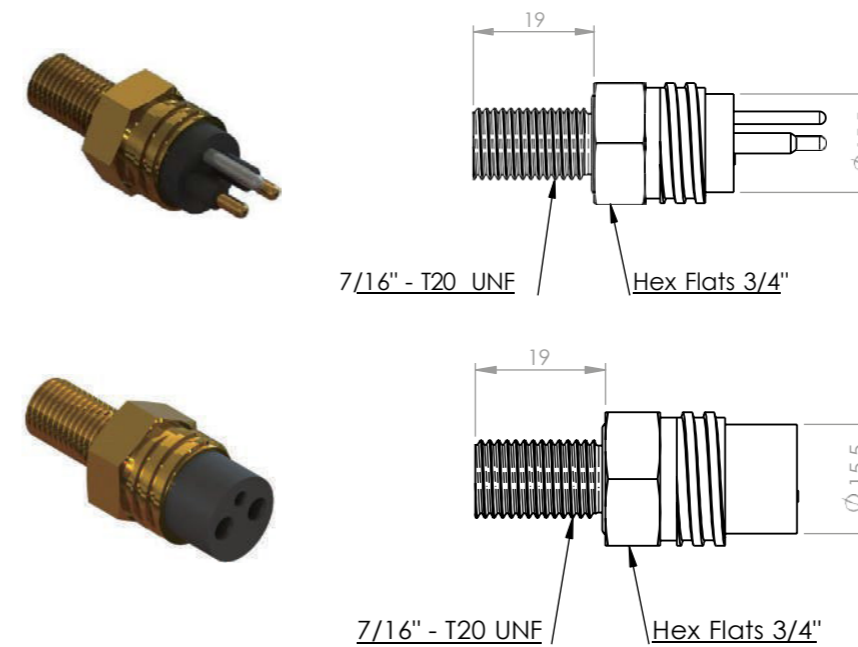
## MICRO CIRCULAR G2 / BULKHEAD / MALE / CONTACT 2,3,4

Male	Contact	Inline	Dummy	Locking Sleeve
Order No.				
MCG2BH2M	2	MCG2IL2F	MCG2DC2F	N/A
MCG2BH3M	3	MCG2IL3F	MCG2DC3F	N/A
MCG2BH4M	4	MCG2IL4F	MCG2DC4F	N/A

## MICRO CIRCULAR G2 / BULKHEAD / FEMALE / CONTACT 2,3,4

Female	Contact	Inline	Dummy	Locking Sleeve
Order No.				
MCG2BH2F	2	MCG2IL2M	MCG2DC2M	N/A
MCG2BH3F	3	MCG2IL3M	MCG2DC3M	N/A
MCG2BH4F	4	MCG2IL4M	MCG2DC4M	N/A

Dimensions in mm, Thread in inches



## FACE VIEW (MALE)



# Micro Circular G2 / Inline Contact 2, 3, 4

G2 connectors share the same contacts dimension of MC 5, 6, 8



### OPERATION SPECIFICATION

Max. voltage	300 V DC
Current rating @contact	5A
Max. current @connector	20A
Insulation resistance	>200 Mohm
Contact resistance	<0.01 ohm
Wet matings	>500 cycles
Depth rating	600 bar
Temperature rating	-40 to 60°C

### MATERIAL SPECIFICATION

Connector body	Chloroprene rubber
Contact	Gold plated brass
Socket	Beryllium copper
Location pin	Stainless steel 316
Inline cable	AWG 18 Neoprene, 60cm
O-rings	N/A

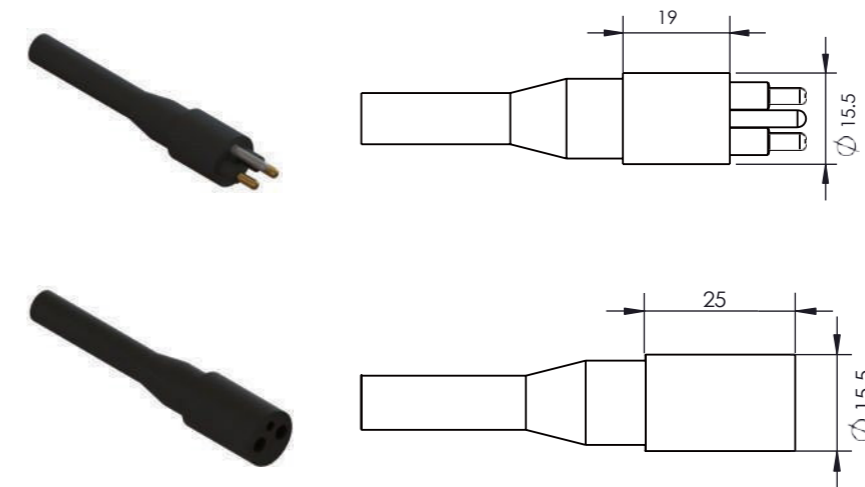
### MICRO CIRCULAR G2 / INLINE / MALE / CONTACT 2,3,4

Male	Contact	Bulkhead	Dummy	Locking Sleeve
Order No.				
MCG2IL2M	2	MCG2BH2F	MCG2DC2F	MCLSF
MCG2IL3M	3	MCG2BH3F	MCG2DC3F	MCLSF
MCG2IL4M	4	MCG2BH4F	MCG2DC4F	MCLSF

### MICRO CIRCULAR G2 / INLINE / FEMALE / CONTACT 2,3,4

Female	Contact	Bulkhead	Dummy	Locking Sleeve
Order No.				
MCG2IL2F	2	MCG2BH2M	MCG2DC2M	MCLSF
MCG2IL3F	3	MCG2BH3M	MCG2DC3M	MCLSF
MCG2IL4F	4	MCG2BH4M	MCG2DC4M	MCLSF

Dimensions in mm, Thread in inches



### FACE VIEW (MALE)



# Micro Circular G2 / Dummy Contact 2, 3, 4

G2 connectors share the same contacts dimension of MC 5, 6, 8



## MATERIAL SPECIFICATION

Connector body	Chloroprene rubber
Contact	Gold plated brass
Socket	N/A
Location pin	Stainless steel

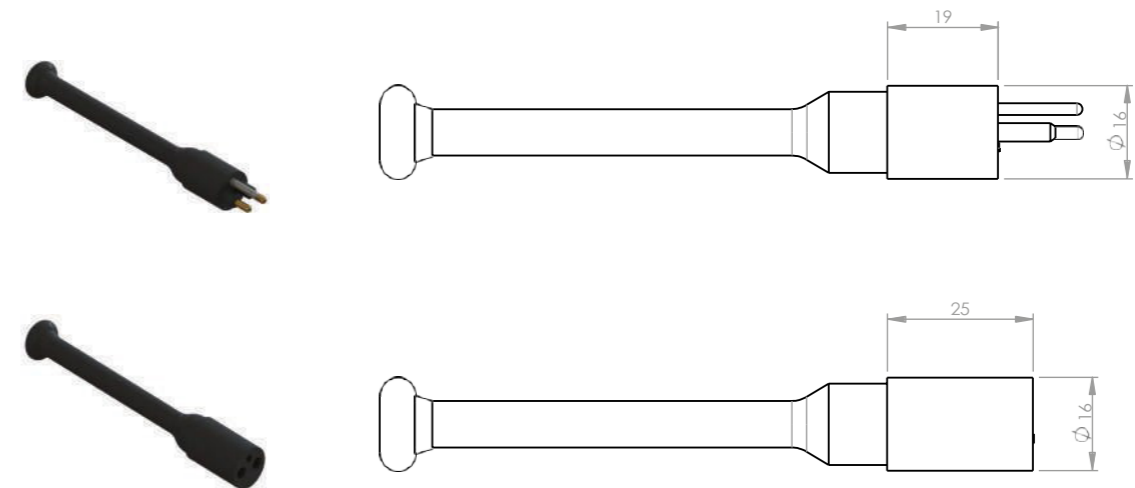
## MICRO CIRCULAR G2 / DUMMY / MALE / CONTACT 2,3,4

Male	Contact	Bulkhead	Inline	Locking Sleeve
Order No.				
MCG2DC2M	2	MCG2BH2F	MCG2IL2F	MCLSF
MCG2DC3M	3	MCG2BH3F	MCG2IL3F	MCLSF
MCG2DC4M	4	MCG2BH4F	MCG2IL4F	MCLSF

## MICRO CIRCULAR G2 / DUMMY / FEMALE / CONTACT 2,3,4

Female	Contact	Bulkhead	Inline	Locking Sleeve
Order No.				
MCG2DC2F	2	MCG2BH2M	MCG2IL2M	MCLSF
MCG2DC3F	3	MCG2BH3M	MCG2IL3M	MCLSF
MCG2DC4F	4	MCG2BH4M	MCG2IL4M	MCLSF

Dimensions in mm, Thread in inches



# Micro Circular / Bulkhead Contact 2,3,4,5,6,8



### OPERATION SPECIFICATION

Max. voltage	300 V DC
Current rating @contact	Contact 2,3,4: 10A Contact 5,6,8: 5A Contact 1,12,16: 5A
Max. current @connector	Contact 2,3,4,5,6,8: 20A Contact 10,12,16: 30A
Insulation resistance	>200 Mohm
Contact resistance	<0.01 ohm
Wet matings	>500
Depth rating	600 bar (300 bar for PEEK)
Temperature rating	-40 to 60°C

### MATERIAL SPECIFICATION

Connector body	Chloroprene rubber
Bulkhead body	Brass(BR), stainless steel 316(SS), anodized aluminum(AL), titanium(TI), PEEK(PE)
Contact	Gold plated brass
Socket	Beryllium copper
Location pin	Contact 2,3,4,5,6,8: stainless steel 316 Contact 10,12,16: N/A
Bulkhead leads	Contact 2,3,4: AWG 18 PTFE, 30cm (AWG 2 PTFE optional) Contact 5,6,8: AWG 2 PTFE, 30cm (AWG 22 PTFE optional) Contact 10,12,16: AWG 2 PTFE, 30cm
O-rings	Contact 2,3,4,5,6,8: NBR 2-014 Contact 10,12,16: NBR 2-015

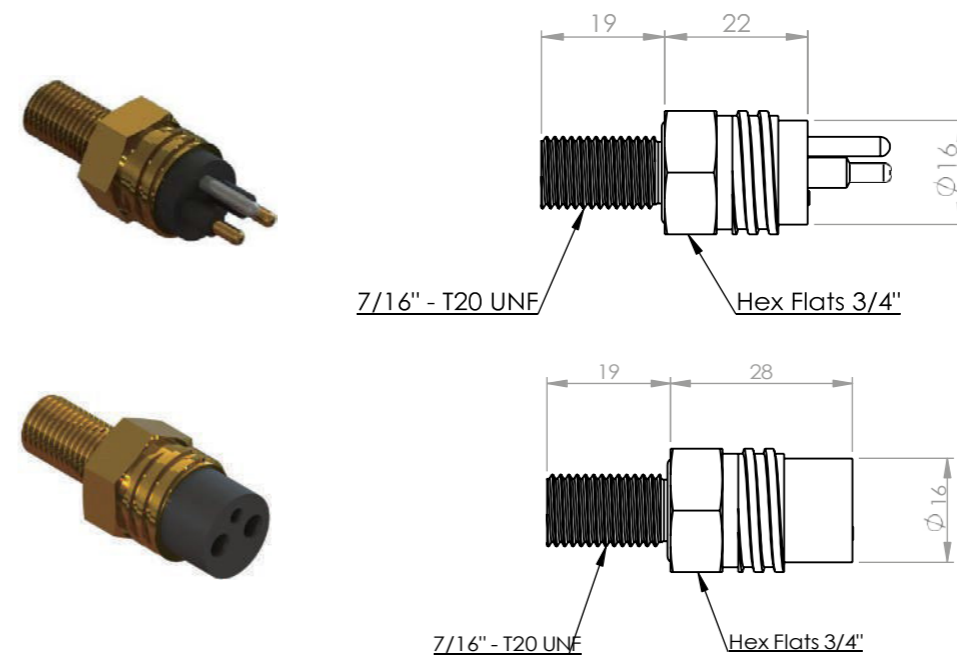
### MICRO CIRCULAR / BULKHEAD / MALE / CONTACT 2,3,4,5,6,8

Male	Contact	Inline	Dummy	Locking Sleeve
Order No.				
MCBH2M	2	MCIL2F	MCDC2F	N/A
MCBH3M	3	MCIL3F	MCDC3F	N/A
MCBH4M	4	MCIL4F	MCDC4F	N/A
MCBH5M	5	MCIL5F	MCDC5F	N/A
MCBH6M	6	MCIL6F	MCDC6F	N/A
MCBH8M	8	MCIL8F	MCDC8F	N/A

### MICRO CIRCULAR / BULKHEAD / FEMALE / CONTACT 2,3,4,5,6,8

Female	Contact	Inline	Dummy	Locking Sleeve
Order No.				
MCBH2F	2	MCIL2M	MCDC2M	N/A
MCBH3F	3	MCIL3M	MCDC3M	N/A
MCBH4F	4	MCIL4M	MCDC4M	N/A
MCBH5F	5	MCIL5M	MCDC5M	N/A
MCBH6F	6	MCIL6M	MCDC6M	N/A
MCBH8F	8	MCIL8M	MCDC8M	N/A

Dimensions in mm, Thread in inches

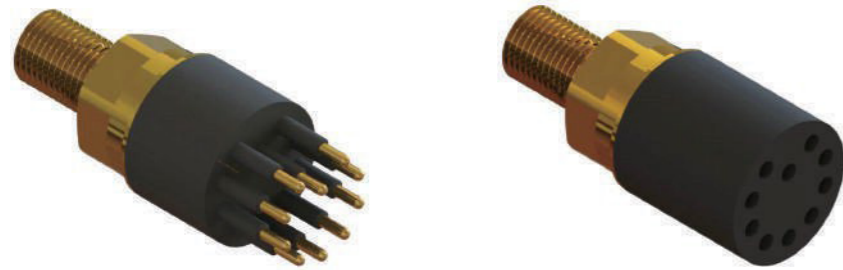


### FACE VIEW (MALE)



# Micro Circular / Bulkhead

## Contact 10, 12, 16



### OPERATION SPECIFICATION

Max. voltage	300 V DC
Current rating @contact	Contact 2,3,4: 10A Contact 5,6,8: 5A Contact 10,12,16: 5A
Max. current @connector	Contact 2,3,4,5,6,8: 20A Contact 10,12,16: 30A
Insulation resistance	>200 Mohm
Contact resistance	<0.01 ohm
Wet matings	>500
Depth rating	600 bar (3 bar for PEEK)
Temperature rating	-40 to 60°C

### MATERIAL SPECIFICATION

Connector body	Chloroprene rubber
Bulkhead body	Brass(BR), stainless steel 316(SS), anodized aluminum(AL), titanium(TI), PEEK(PE)
Contact	Gold plated brass
Socket	Beryllium copper
Location pin	Contact 2,3,4,5,6,8: stainless steel 316 Contact 10,12,16: N/A
Bulkhead leads	Contact 2,3,4: AWG 18 PTFE, 30cm (AWG 2 PTFE optional) Contact 5,6,8: AWG 2 PTFE, 30cm (AWG 22 PTFE optional) Contact 10,12,16: AWG 2 PTFE, 30cm
O-rings	Contact 2,3,4,5,6,8: NBR 2-014 Contact 10,12,16: NBR 2-015

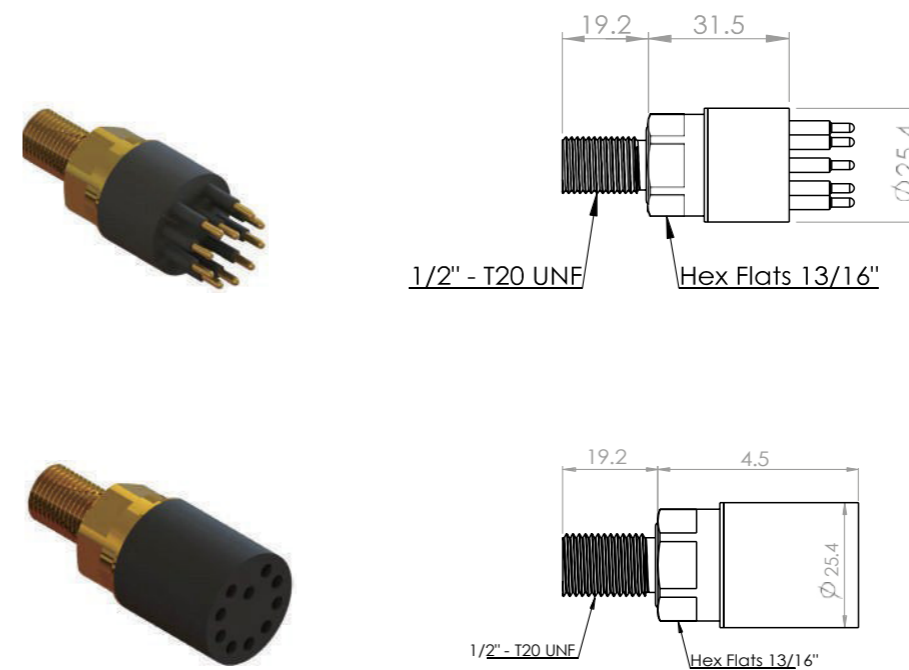
### MICRO CIRCULAR / BULKHEAD / MALE / CONTACT 10,12,16

Male	Contact	Inline	Dummy	Locking Sleeve
Order No.				
MCBH10M	10	MCIL10F	MCDC10F	DLSAM
MCBH12M	12	MCIL12F	MCDC12F	DLSAM
MCBH16M	16	MCIL16F	MCDC16F	DLSAM

### MICRO CIRCULAR / BULKHEAD / FEMALE / CONTACT 10,12,16

Female	Contact	Inline	Dummy	Locking Sleeve
Order No.				
MCBH10F	10	MCIL10M	MCDC10M	DLSAF
MCBH12F	12	MCIL12M	MCDC12M	DLSAF
MCBH16F	16	MCIL16M	MCDC16M	DLSAF

Dimensions in mm, Thread in inches



### FACE VIEW (MALE)



# Micro Circular / Inline

## Contact 2, 3, 4, 5, 6, 8



### OPERATION SPECIFICATION

Max. voltage	300 V DC
Current rating @contact	5A
Max. current @connector	Contact 2,3,4,5,6,8: 20A Contact 10,12,16: 30A
Insulation resistance	>200 Mohm
Contact resistance	<0.01 ohm
Wet matings	>500
Depth rating	600 bar
Temperature rating	-40 to 60°C

### MATERIAL SPECIFICATION

Connector body	Chloroprene rubber
Contact	Gold plated brass
Socket	Beryllium copper
Location pin	Contact 2,3,4,5,6,8: stainless steel 316 Contact 1,12,16: N/A
Inline cable	Contact 2,3,4: AWG 18 Neoprene, 60cm Contact 5, 6, 8: AWG 2 EP, 60cm
O-rings	N/A

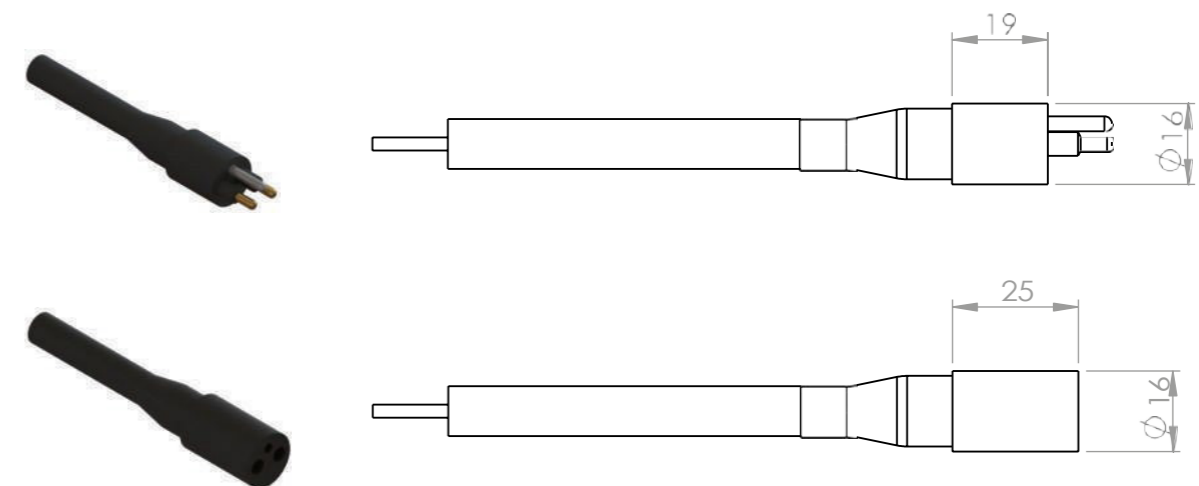
### MICRO CIRCULAR / INLINE / MALE / CONTACT 2,3,4,5,6,8

Male	Contact	Bulkhead	Dummy	Locking Sleeve
Order No.				
MCIL2M	2	MCBH2F	MCDC2F	MCLSF
MCIL3M	3	MCBH3F	MCDC3F	MCLSF
MCIL4M	4	MCBH4F	MCDC4F	MCLSF
MCIL5M	5	MCBH5F	MCDC5F	MCLSF
MCIL6M	6	MCBH6F	MCDC6F	MCLSF
MCIL8M	8	MCBH8F	MCDC8F	MCLSF

### MICRO CIRCULAR / INLINE / FEMALE / CONTACT 2,3,4,5,6,8

Female	Contact	Bulkhead	Dummy	Locking Sleeve
Order No.				
MCIL2F	2	MCBH2M	MCDC2M	MCLSF
MCIL3F	3	MCBH3M	MCDC3M	MCLSF
MCIL4F	4	MCBH4M	MCDC4M	MCLSF
MCIL5F	5	MCBH5M	MCDC5M	MCLSF
MCIL6F	6	MCBH6M	MCDC6M	MCLSF
MCIL8F	8	MCBH8M	MCDC8M	MCLSF

Dimensions in mm, Thread in inches



### FACE VIEW (MALE)



All product descriptions and specifications subject to change without notice

# Micro Circular / Inline

## Contact 10, 12, 16



### OPERATION SPECIFICATION

Max. voltage	300 V DC
Current rating @contact	5A
Max. current @connector	Contact 2,3,4,5,6,8: 20A Contact 10,12,16: 30A
Insulation resistance	>200 Mohm
Contact resistance	<0.01 ohm
Wet matings	>500
Depth rating	600 bar
Temperature rating	-40 to 60°C

### MATERIAL SPECIFICATION

Connector body	Chloroprene rubber
Contact	Gold plated brass
Socket	Beryllium copper
Location pin	Contact 2,3,4,5,6,8: stainless steel 316 Contact 10,12,16: N/A
Inline cable	AWG 18 Neoprene, 60cm
O-rings	N/A

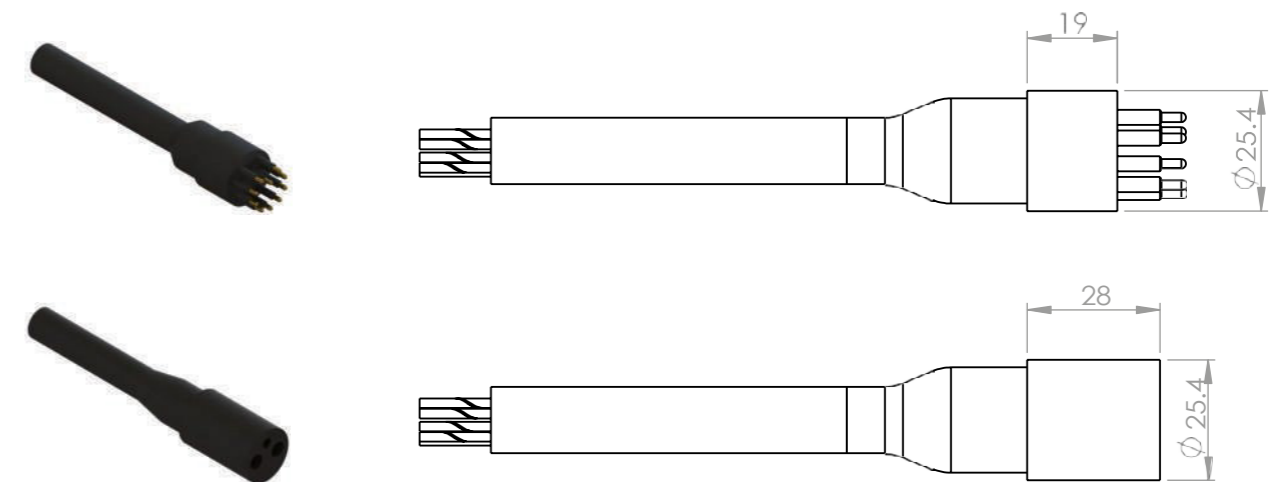
### MICRO CIRCULAR / INLINE / MALE / CONTACT 10,12,16

Male	Contact	Bulkhead	Dummy	Locking Sleeve
Order No.				
MCIL10M	10	MCBH10F	MCDC10F	DLSAM
MCIL12M	12	MCBH12F	MCDC12F	DLSAM
MCIL16M	16	MCBH16F	MCDC16F	DLSAM

### MICRO CIRCULAR / INLINE / FEMALE / CONTACT 10,12,16

Female	Contact	Bulkhead	Dummy	Locking Sleeve
Order No.				
MCIL10F	10	MCBH10M	MCDC10M	DLSAF
MCIL12F	12	MCBH12M	MCDC12M	DLSAF
MCIL16F	16	MCBH16M	MCDC16M	DLSAF

Dimensions in mm, Thread in inches



### FACE VIEW (MALE)



# Micro Circular / Overmold

## Contact 2, 3, 4, 5, 6, 8



### OPERATION SPECIFICATION

Max. voltage	300 V DC
Current rating @contact	Contact 2,3,4: 10A Contact 5,6,8: 5A Contact 10,12,16: 5A
Max. current @connector	Contact 2,3,4,5,6,8: 20A Contact 10,12,16: 30A
Insulation resistance	>200 Mohm
Contact resistance	<0.01 ohm
Wet matings	>500
Depth rating	600 bar
Temperature rating	-40 to 60°C

### MATERIAL SPECIFICATION

Connector body	Chloroprene rubber
Bulkhead body	Contact 2,3,4,5,6,8: N/A Contact 1,12,16: brass(BR)
Contact	Gold plated brass
Socket	Beryllium copper
Location pin	Stainless steel 316
Bulkhead leads	Contact 2,3,4: AWG 18 PTFE, 10cm Contact 5,6,8,10,12,16: AWG 2 PTFE, 10cm
O-rings	N/A

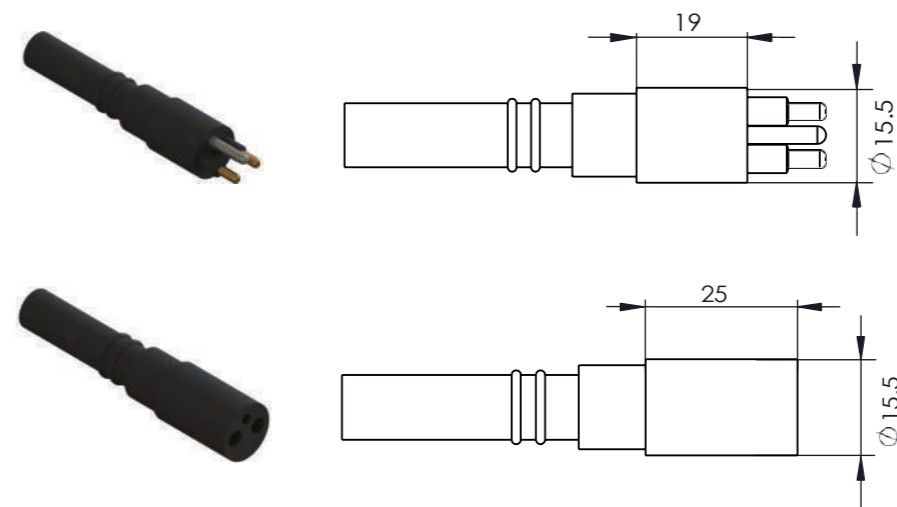
### MICRO CIRCULAR / OVERMOLD / MALE / CONTACT 2,3,4,5,6,8

Male	Contact	Bulkhead	Dummy	Locking Sleeve
Order No.				
MCOM2M	2	MCBH2F	MCDC2F	MCLSF
MCOM3M	3	MCBH3F	MCDC3F	MCLSF
MCOM4M	4	MCBH4F	MCDC4F	MCLSF
MCOM5M	5	MCBH5F	MCDC5F	MCLSF
MCOM6M	6	MCBH6F	MCDC6F	MCLSF
MCOM8M	8	MCBH8F	MCDC8F	MCLSF

### MICRO CIRCULAR / OVERMOLD / FEMALE / CONTACT 2,3,4,5,6,8

Female	Contact	Bulkhead	Dummy	Locking Sleeve
Order No.				
MCOM2F	2	MCBH2M	MCDC2M	MCLSF
MCOM3F	3	MCBH3M	MCDC3M	MCLSF
MCOM4F	4	MCBH4M	MCDC4M	MCLSF
MCOM5F	5	MCBH5M	MCDC5M	MCLSF
MCOM6F	6	MCBH6M	MCDC6M	MCLSF
MCOM8F	8	MCBH8M	MCDC8M	MCLSF

Dimensions in mm, Thread in inches



### FACE VIEW (MALE)



All product descriptions and specifications subject to change without notice

# Micro Circular / Overmold

## Contact 10, 12, 16



### OPERATION SPECIFICATION

Max. voltage	300 V DC
Current rating @contact	Contact 2,3,4: 10A Contact 5,6,8: 5A Contact 1,12,16: 5A
Max. current @connector	Contact 2,3,4,5,6,8: 20A Contact 10,12,16: 30A
Insulation resistance	>200 Mohm
Contact resistance	<0.01 ohm
Wet matings	>500
Depth rating	600 bar
Temperature rating	-40 to 60°C

### MATERIAL SPECIFICATION

Connector body	Chloroprene rubber
Bulkhead body	Contact 2,3,4,5,6,8: N/A Contact 10,12,16: brass(BR)
Contact	Gold plated brass
Socket	N/A
Location pin	Stainless steel 316
Bulkhead leads	Contact 2,3,4: AWG 18 PTFE, 10cm Contact 5,6,8,10,12,16: AWG 2 PTFE, 10cm
O-rings	N/A

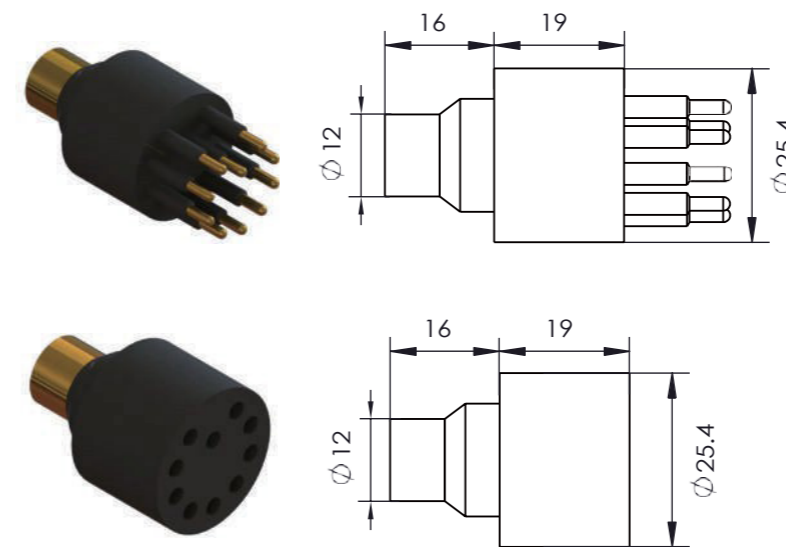
### MICRO CIRCULAR / OVERMOLD / MALE / CONTACT 10,12,16

Male	Contact	Bulkhead	Dummy	Locking Sleeve
Order No.				
MCOM10M	10	MCBH10F	MCDC10F	DLSAM
MCOM12M	12	MCBH12F	MCDC12F	DLSAM
MCOM16M	16	MCBH16F	MCDC16F	DLSAM

### MICRO CIRCULAR / OVERMOLD / FEMALE / CONTACT 10,12,16

Female	Contact	Bulkhead	Dummy	Locking Sleeve
Order No.				
MCOM10F	10	MCBH10M	MCDC10M	DLSAF
MCOM12F	12	MCBH12M	MCDC12M	DLSAF
MCOM16F	16	MCBH16M	MCDC16M	DLSAF

Dimensions in mm, Thread in inches

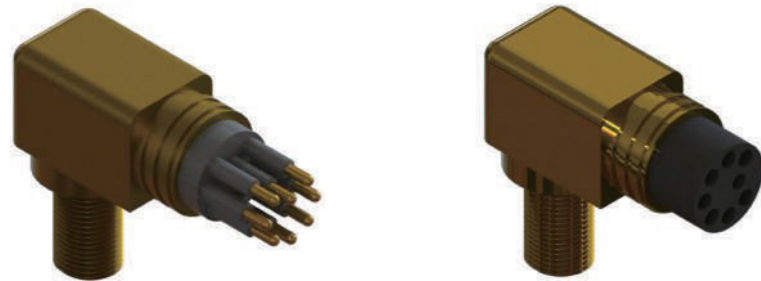


### FACE VIEW (MALE)



# Micro Circular / Bulkhead Right Angle

## Contact 2, 3, 4, 5, 6, 8



### OPERATION SPECIFICATION

Max. voltage	300 V DC
Current rating @contact	Contact 2,3,4: 10A Contact 5,6,8: 5A
Max. current @connector	20A
Insulation resistance	>200 Mohm
Contact resistance	<0.01 ohm
Wet matings	>500
Depth rating	600 bar
Temperature rating	-40 to 60°C

### MATERIAL SPECIFICATION

Connector body	Chloroprene rubber
Bulkhead body	Brass(BR), stainless steel 316(SS), anodized aluminum(AL), titanium(TI)
Contact	Gold plated brass
Socket	Beryllium copper
Location pin	Stainless steel 316
Bulkhead leads	Contact 2,3,4: AWG 18 PTFE, 30cm (AWG 2 PTFE optional) Contact 5,6,8: AWG 2 PTFE, 30cm (AWG 22 PTFE optional)
O-rings	NBR 2-014

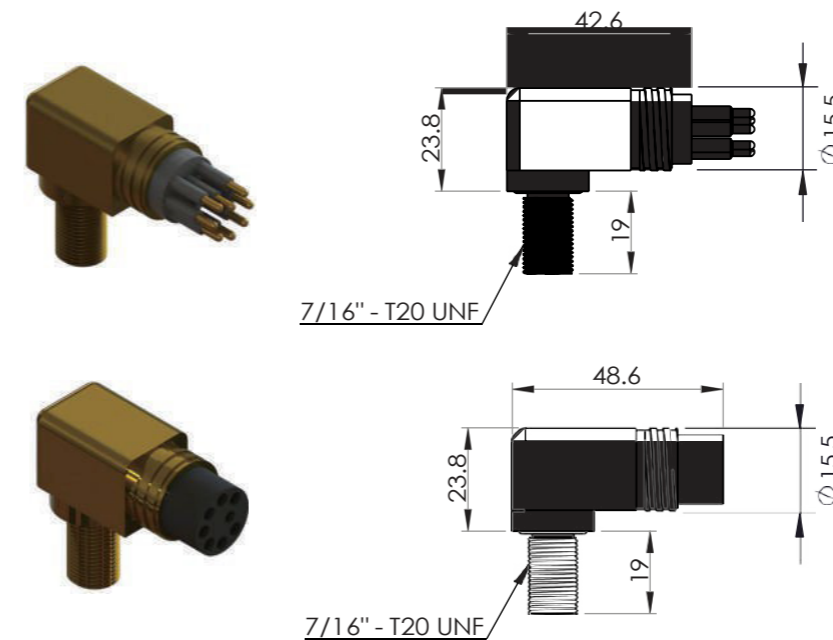
### MICRO CIRCULAR / BULKHEAD RIGHT ANGLE / MALE / CONTACT 2,3,4,5,6,8

Male	Contact	Inline	Dummy	Locking Sleeve
Order No.				
MCBHRA2M	2	MCIL2F	MCDC2F	N/A
MCBHRA3M	3	MCIL3F	MCDC3F	N/A
MCBHRA4M	4	MCIL4F	MCDC4F	N/A
MCBHRA5M	5	MCIL5F	MCDC5F	N/A
MCBHRA6M	6	MCIL6F	MCDC6F	N/A
MCBHRA8M	8	MCIL8F	MCDC8F	N/A

### MICRO CIRCULAR / BULKHEAD RIGHT ANGLE / FEMALE / CONTACT 2,3,4,5,6,8

Female	Contact	Inline	Dummy	Locking Sleeve
Order No.				
MCBHRA2F	2	MCIL2M	MCDC2M	N/A
MCBHRA3F	3	MCIL3M	MCDC3M	N/A
MCBHRA4F	4	MCIL4M	MCDC4M	N/A
MCBHRA5F	5	MCIL5M	MCDC5M	N/A
MCBHRA6F	6	MCIL6M	MCDC6M	N/A
MCBHRA8F	8	MCIL8M	MCDC8M	N/A

Dimensions in mm, Thread in inches

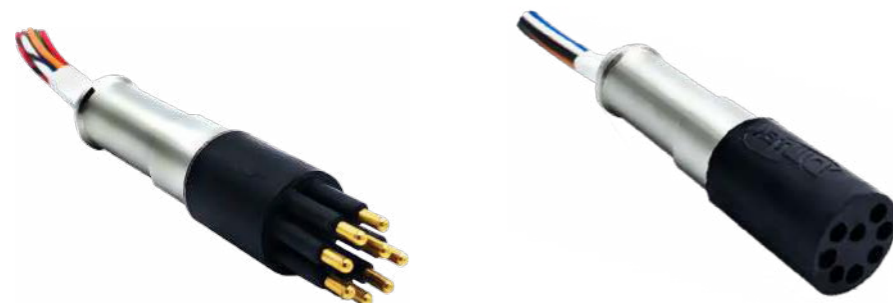


### FACE VIEW (MALE)



# Micro Circular / PBOF

## Contact 2, 3, 4, 5, 6, 8



### OPERATION SPECIFICATION

Max. voltage	300 V DC
Current rating @contact	Contacts 2,3,4 10A Contacts 5,6,8 5A
Max. current @connector	20A
Insulation resistance	>200 Mohm
Contact resistance	<0.01 ohm
Wet matings	>500
Depth rating	600 bar
Temperature rating	-40 to 60°C

### MATERIAL SPECIFICATION

Connector body	Chloroprene rubber
PBOF body	Stainless steel 316(SS)
Contact	Gold plated brass
Socket	Gold plated beryllium copper
Location pin	Stainless steel 316
PBOF leads	Contact 2,3,4 AWG 18 PTFE, 30cm Contact 5,6,8 AWG 20 PTFE, 30cm
O-rings	N/A

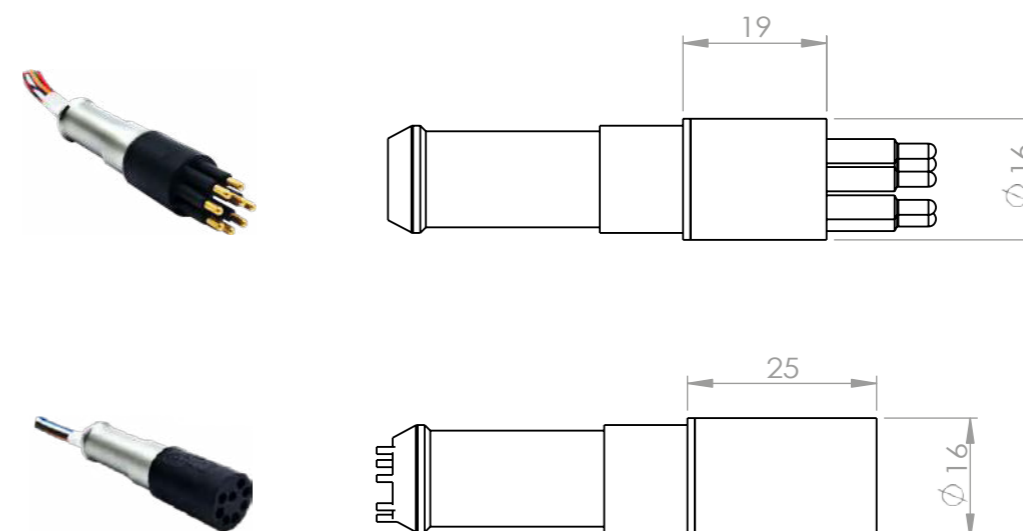
### MICRO CIRCULAR / PBOF / MALE / CONTACT 2,3,4,5,6,8

Male	Contact	Bulkhead	Dummy	Locking Sleeve
Order No.				
MCPO2M	2	MCBH2F	MCDC2F	MCLSF
MCPO3M	3	MCBH3F	MCDC3F	MCLSF
MCPO4M	4	MCBH4F	MCDC4F	MCLSF
MCPO5M	5	MCBH5F	MCDC5F	MCLSF
MCPO6M	6	MCBH6F	MCDC6F	MCLSF
MCPO8M	8	MCBH8F	MCDC8F	MCLSF

### MICRO CIRCULAR / PBOF / FEMALE / CONTACT 2,3,4,5,6,8

Female	Contact	Bulkhead	Dummy	Locking Sleeve
Order No.				
MCPO2F	2	MCBH2M	MCDC2M	MCLSF
MCPO3F	3	MCBH3M	MCDC3M	MCLSF
MCPO4F	4	MCBH4M	MCDC4M	MCLSF
MCPO5F	5	MCBH5M	MCDC5M	MCLSF
MCPO6F	6	MCBH6M	MCDC6M	MCLSF
MCPO8F	8	MCBH8M	MCDC8M	MCLSF

Dimensions in mm, Thread in inches



# Micro Circular / Bulkhead Double O-ring Contact 2, 3, 4, 5, 6, 8



### OPERATION SPECIFICATION

Max. voltage	300 V DC
Current rating @contact	Contact 2,3,4: 10A Contact 5,6,8: 5A
Max. current @connector	20A
Insulation resistance	>200 Mohm
Contact resistance	<0.01 ohm
Wet matings	>50000 cycles
Depth rating	600 bar (300 bar for PEEK)
Temperature rating	-40 to 60°C

### MATERIAL SPECIFICATION

Connector body	Chloroprene rubber
Bulkhead body	Brass(BR), stainless steel 316(SS)
Contact	Gold plated brass
Socket	Beryllium copper
Location pin	Stainless steel 316
Bulkhead leads	Contact 2,3,4: AWG 18 PTFE, 30cm Contact 5, 6,8: AWG 20 PTFE, 30cm
O-rings	NBR 2-014, NBR 2-012

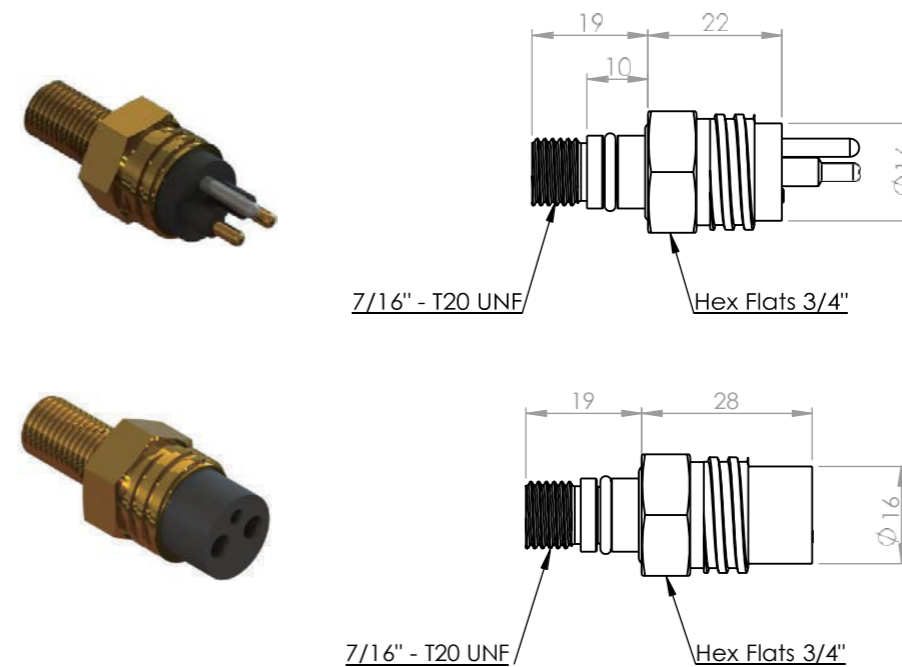
### MICRO CIRCULAR / BULKHEAD DOUBLE O-RING / MALE / CONTACT 2,3,4,5,6,8

Male	Contact	Inline	Dummy	Locking Sleeve
Order No.				
MCBD2M	2	MCIL2F	MCDC2F	N/A
MCBD3M	3	MCIL3F	MCDC3F	N/A
MCBD4M	4	MCIL4F	MCDC4F	N/A
MCBD5M	5	MCIL5F	MCDC5F	N/A
MCBD6M	6	MCIL6F	MCDC6F	N/A
MCBD8M	8	MCIL8F	MCDC8F	N/A

### MICRO CIRCULAR / BULKHEAD DOUBLE O-RING / FEMALE / CONTACT 2,3,4,5,6,8

Female	Contact	Inline	Dummy	Locking Sleeve
Order No.				
MCBD2F	2	MCIL2M	MCDC2M	N/A
MCBD3F	3	MCIL3M	MCDC3M	N/A
MCBD4F	4	MCIL4M	MCDC4M	N/A
MCBD5F	5	MCIL5M	MCDC5M	N/A
MCBD6F	6	MCIL6M	MCDC6M	N/A
MCBD8F	8	MCIL8M	MCDC8M	N/A

Dimensions in mm, Thread in inches



## Micro Circular / Dummy

### Contact 2, 3, 4, 5, 6, 8, 10, 12, 16



#### MATERIAL SPECIFICATION

Connector body	Chloroprene rubber
Contact	Gold plated brass
Socket	N/A
Location pin	Stainless steel 316

#### MICRO CIRCULAR / DUMMY / MALE / CONTACT 2,3,4,5,6,8,10,12,16

Male	Contact	Bulkhead	Inline	Locking Sleeve
Order No.				
MCDC2M	2	MCBH2F	MCIL2F	MCLSF
MCDC3M	3	MCBH3F	MCIL3F	MCLSF
MCDC4M	4	MCBH4F	MCIL4F	MCLSF
MCDC5M	5	MCBH5F	MCIL5F	MCLSF
MCDC6M	6	MCBH6F	MCIL6F	MCLSF
MCDC8M	8	MCBH8F	MCIL8F	MCLSF
MCDC10M	10	MCBH10F	MCIL10F	DLSAM
MCDC12M	12	MCBH12F	MCIL12F	DLSAM
MCDC16M	16	MCBH16F	MCIL16F	DLSAM

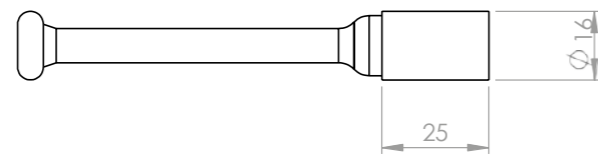
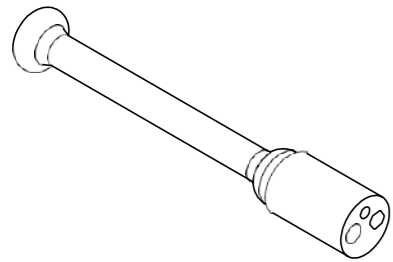
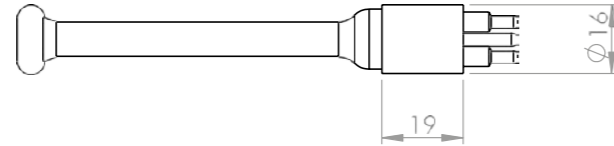
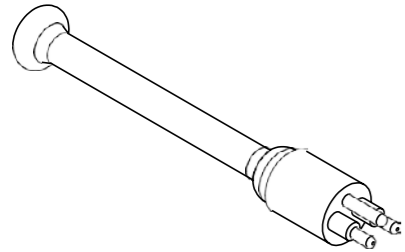
#### MICRO CIRCULAR / DUMMY / FEMALE / CONTACT 2,3,4,5,6,8,10,12,16

Female	Contact	Bulkhead	Inline	Locking Sleeve
Order No.				
MCDC2F	2	MCBH2M	MCIL2M	MCLSF
MCDC3F	3	MCBH3M	MCIL3M	MCLSF
MCDC4F	4	MCBH4M	MCIL4M	MCLSF
MCDC5F	5	MCBH5M	MCIL5M	MCLSF
MCDC6F	6	MCBH6M	MCIL6M	MCLSF
MCDC8F	8	MCBH8M	MCIL8M	MCLSF
MCDC10F	10	MCBH10M	MCIL10M	DLSAF
MCDC12F	12	MCBH12M	MCIL12M	DLSAF
MCDC16F	16	MCBH16M	MCIL16M	DLSAF

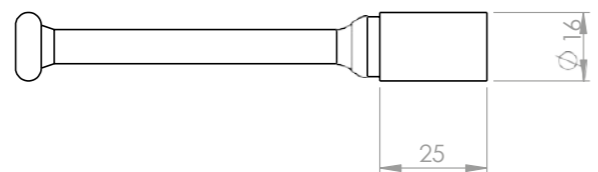
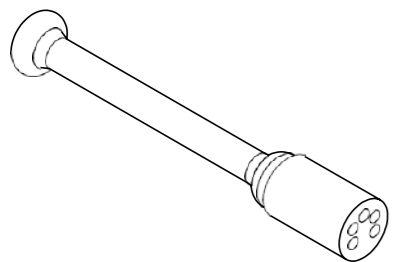
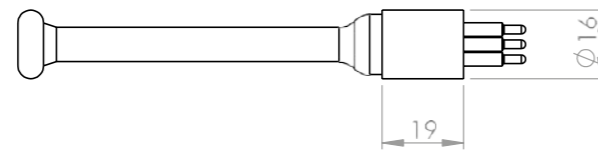
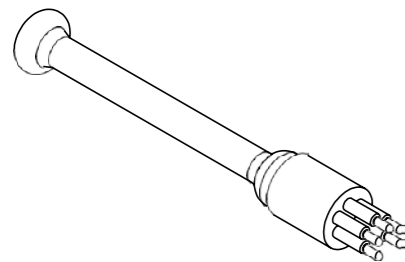
## Micro Circular / Dummy

### Contact 2, 3, 4

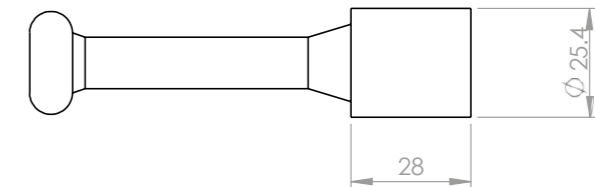
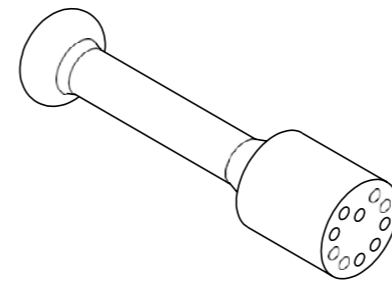
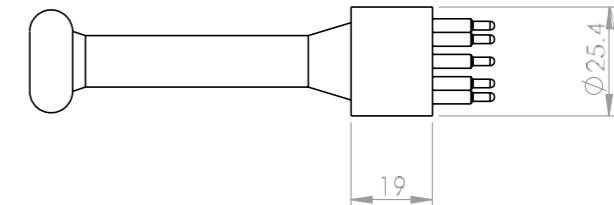
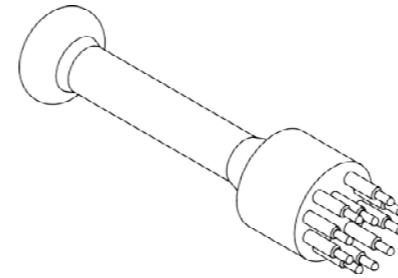
Dimensions in mm, Thread in inches



### Contact 5, 6, 8



### Contact 10, 12, 16



# Low Profile

Bulkhead

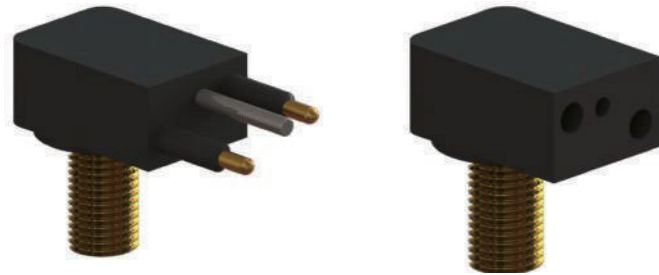
Inline

Inline RA

Dummy



## Low Profile / Bulkhead Contact 2



### OPERATION SPECIFICATION

Max. voltage	600 V DC
Current rating @contact	10A
Max. current @connector	Contact 2: 20A Contact 3: 30A Contact 4,5,7,9,12: 40A
Insulation resistance	>200 Mohm
Contact resistance	<0.01 ohm
Wet matings	>500
Depth rating	600 bar (300 bar for PEEK)
Temperature rating	-40 to 60°C

### MATERIAL SPECIFICATION

Connector body	Chloroprene rubber
Bulkhead body	Brass(BR), stainless steel 316(SS), anodized aluminum(AL), titanium(TI), PEEK(PE)
Contact	Gold plate brass
Socket	Beryllium copper
Location pin	Contact 2: stainless steel 316 Contact 3,4,5,7,9,12: N/A
Bulkhead leads	AWG 18 PTFE, 30cm
O-rings	NBR 2-014

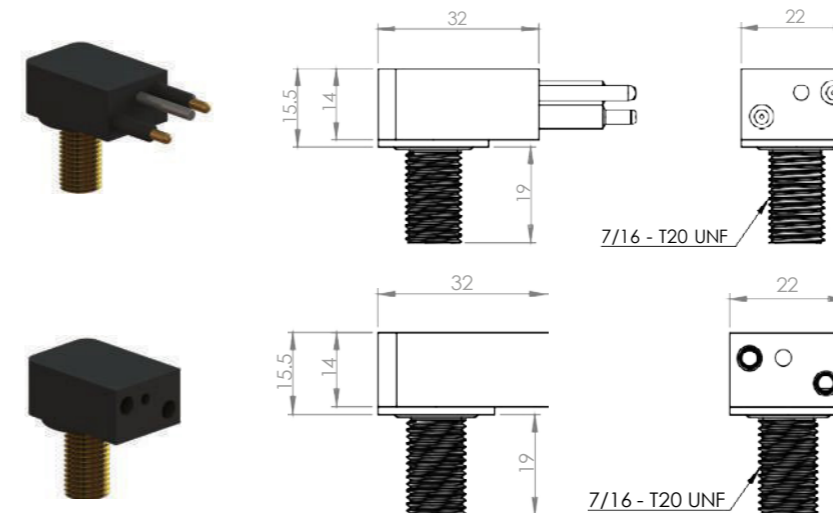
### LOW PROFILE / BULKHEAD / MALE / CONTACT 2

Male	Contact	Inline	Dummy	Strap
Order No.				
LPBH2M	2	LPIL2F	LPDC2F	LPSTB

### LOW PROFILE / BULKHEAD / FEMALE / CONTACT 2

Female	Contact	Inline	Dummy	Strap
Order No.				
LPBH2F	2	LPIL2M	LPDC2M	LPSTB

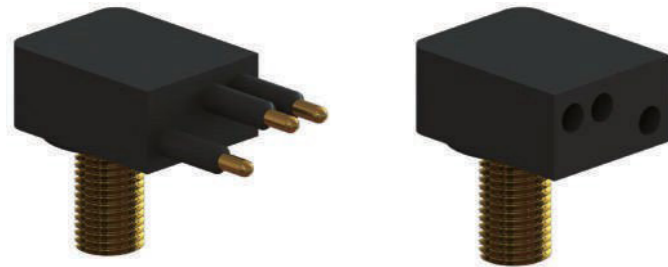
Dimensions in mm, Thread in inches



### FACE VIEW (MALE)



## Low Profile / Bulkhead Contact 3, 4, 5



### OPERATION SPECIFICATION

Max. voltage	600 V DC
Current rating @contact	10A
Max. current @connector	Contact 2: 20A Contact 3: 30A Contact 4,5,7,9,12: 40A
Insulation resistance	>200 Mohm
Contact resistance	<0.01 ohm
Wet matings	>500
Depth rating	600 bar (300 bar for PEEK)
Temperature rating	-40 to 60°C

### MATERIAL SPECIFICATION

Connector body	Chloroprene rubber
Bulkhead body	Brass(BR), stainless steel 316(SS), anodized aluminum(AL), titanium(TI), PEEK(PE)
Contact	Gold plate brass
Socket	Beryllium copper
Location pin	Contact 2: stainless steel 316 Contact 3,4,5,7,9,12: N/A
Bulkhead leads	AWG 18 PTFE, 30cm
O-rings	NBR 2-014

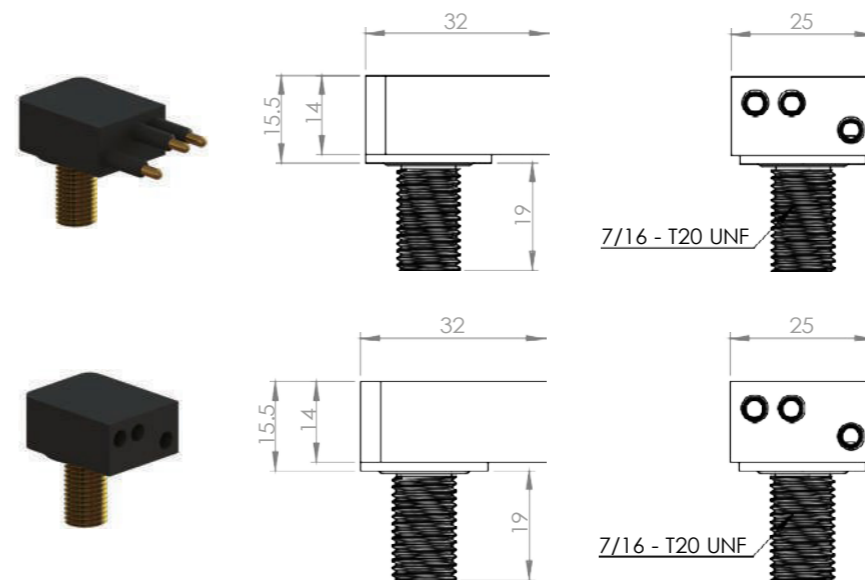
### LOW PROFILE / BULKHEAD / MALE / CONTACT 3,4,5

Male	Contact	Inline	Dummy	Strap
Order No.				
LPBH3M	3	LPIL3F	LPDC3F	LPSTA
LPBH4M	4	LPIL4F	LPDC4F	LPSTA
LPBH5M	5	LPIL5F	LPDC5F	LPSTA

### LOW PROFILE / BULKHEAD / FEMALE / CONTACT 3,4,5

Female	Contact	Inline	Dummy	Strap
Order No.				
LPBH3F	3	LPIL3M	LPDC3M	LPSTA
LPBH4F	4	LPIL4M	LPDC4M	LPSTA
LPBH5F	5	LPIL5M	LPDC5M	LPSTA

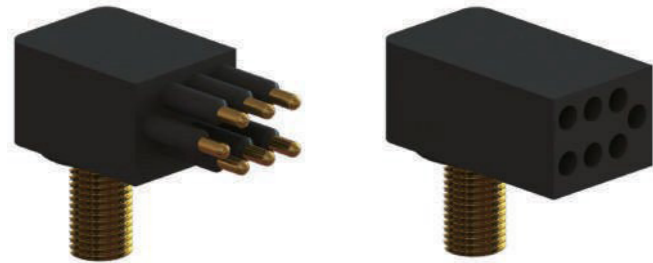
Dimensions in mm, Thread in inches



### FACE VIEW (MALE)



# Low Profile / Bulkhead Contact 7



### OPERATION SPECIFICATION

Max. voltage	600 V DC
Current rating @contact	10A
Max. current @connector	Contact 2: 20A Contact 3: 30A Contact 4,5,7,9,12: 40A
Insulation resistance	>200 Mohm
Contact resistance	<0.01 ohm
Wet matings	>500
Depth rating	600 bar (300 bar for PEEK)
Temperature rating	-40 to 60°C

### MATERIAL SPECIFICATION

Connector body	Chloroprene rubber
Bulkhead body	Brass(BR), stainless steel 316(SS), anodized aluminum(AL), titanium(TI), PEEK(PE)
Contact	Gold plate brass
Socket	Beryllium copper
Location pin	Contact 2: stainless steel 316 Contact 3,4,5,7,9,12: N/A
Bulkhead leads	AWG 18 PTFE, 30cm
O-rings	NBR 2-014

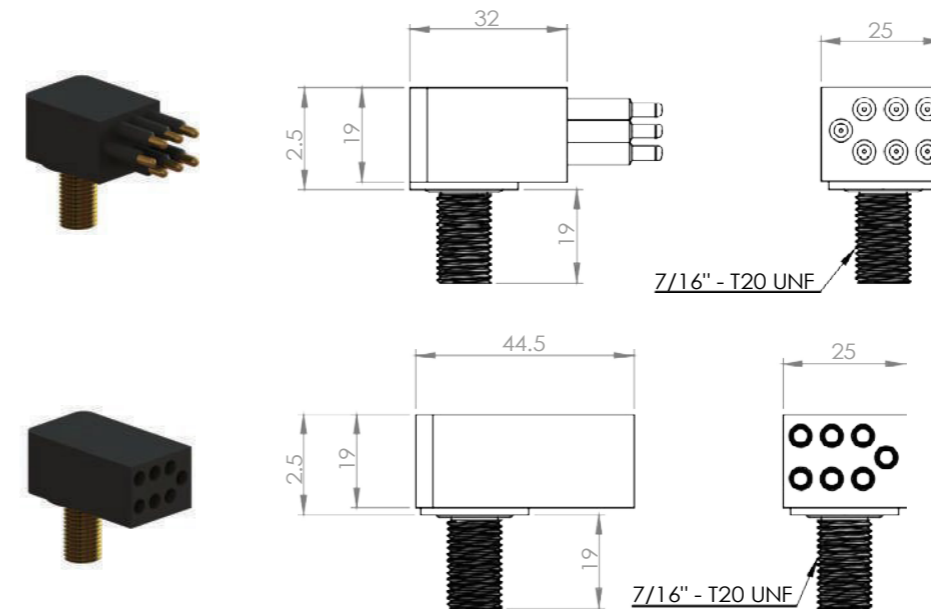
### LOW PROFILE / BULKHEAD / MALE / CONTACT 7

Male	Contact	Inline	Dummy	Strap
Order No.				
LPBH7M	7	LPIL7F	LPDC7F	LPSTB

### LOW PROFILE / BULKHEAD / FEMALE / CONTACT 7

Female	Contact	Inline	Dummy	Strap
Order No.				
LPBH7F	7	LPIL7M	LPDC7M	LPSTB

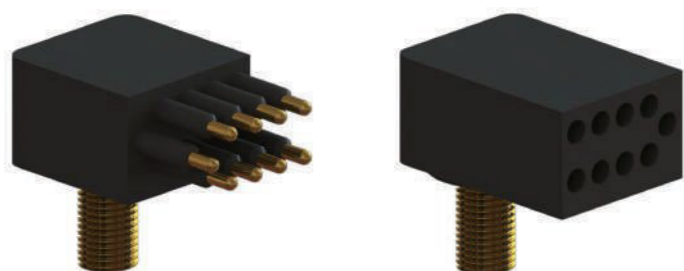
Dimensions in mm, Thread in inches



### FACE VIEW (MALE)



## Low Profile / Bulkhead Contact 9



### OPERATION SPECIFICATION

Max. voltage	600 V DC
Current rating @contact	10A
Max. current @connector	Contact 2: 20A Contact 3: 30A Contact 4,5,7,9,12: 40A
Insulation resistance	>200 Mohm
Contact resistance	<0.01 ohm
Wet matings	>500
Depth rating	600 bar (300 bar for PEEK)
Temperature rating	-40 to 60°C

### MATERIAL SPECIFICATION

Connector body	Chloroprene rubber
Bulkhead body	Brass(BR), stainless steel 316(SS), anodized aluminum(AL), titanium(TI), PEEK(PE)
Contact	Gold plate brass
Socket	Beryllium copper
Location pin	Contact 2: stainless steel 316 Contact 3,4,5,7,9,12: N/A
Bulkhead leads	AWG 18 PTFE, 30cm
O-rings	NBR 2-014

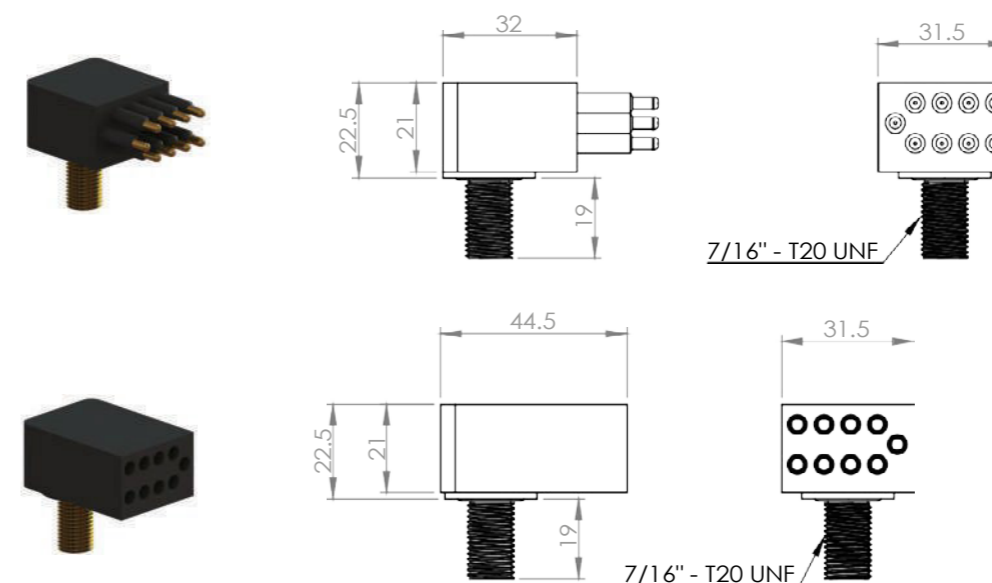
### LOW PROFILE / BULKHEAD / MALE / CONTACT 9

Male	Contact	Inline	Dummy	Strap
Order No.				
LPBH9M	9	LPIL9F	LPDC9F	LPSTB

### LOW PROFILE / BULKHEAD / FEMALE / CONTACT 9

Female	Contact	Inline	Dummy	Strap
Order No.				
LPBH9F	9	LPIL9M	LPDC9M	LPSTB

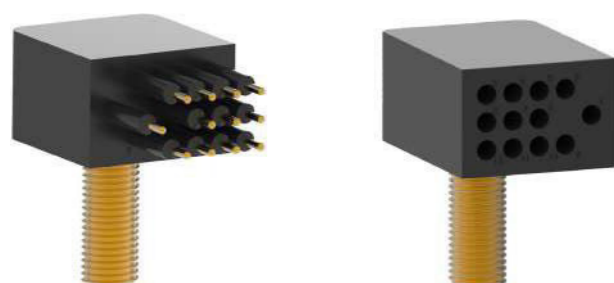
Dimensions in mm, Thread in inches



### FACE VIEW (MALE)



# Low Profile / Bulkhead Contact 12



## OPERATION SPECIFICATION

Max. voltage	600 V DC
Current rating @contact	10A
Max. current @connector	Contact 2: 20A Contact 3: 30A Contact 4,5,7,9,12: 40A
Insulation resistance	>200 Mohm
Contact resistance	<0.01 ohm
Wet matings	>500
Depth rating	600 bar (300 bar for PEEK)
Temperature rating	-40 to 60°C

## MATERIAL SPECIFICATION

Connector body	Chloroprene rubber
Bulkhead body	Brass(BR), stainless steel 316(SS), anodized aluminum(AL), titanium(TI), PEEK(PE)
Contact	Gold plate brass
Socket	Beryllium copper
Location pin	Contact 2: stainless steel 316 Contact 3,4,5,7,9,12: N/A
Bulkhead leads	AWG 18 PTFE, 30cm
O-rings	NBR 2-014

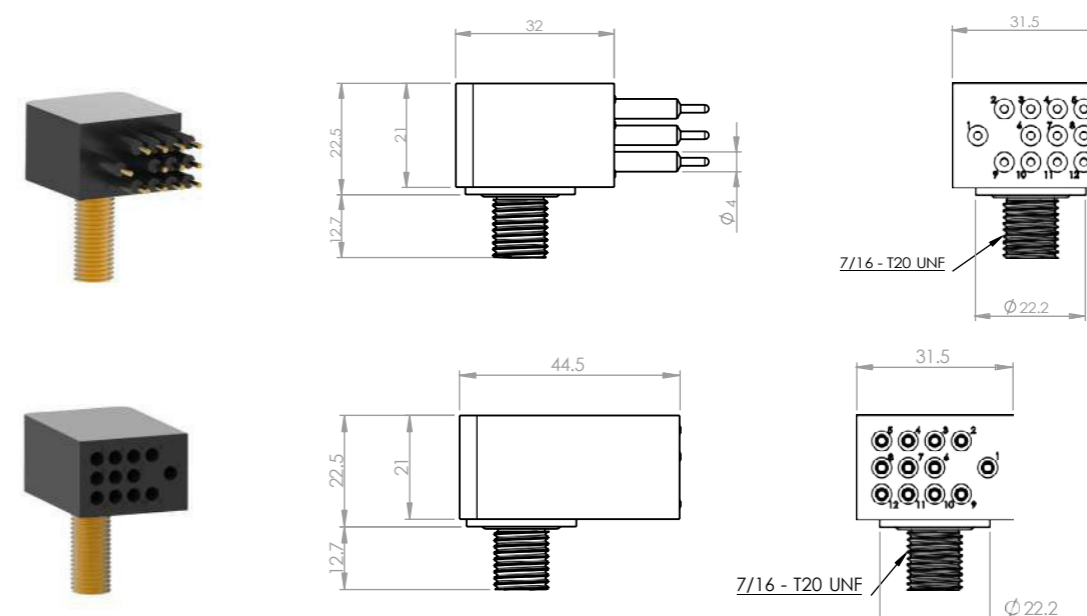
## LOW PROFILE / BULKHEAD / MALE / CONTACT 12

Male	Contact	Inline	Dummy	Strap
Order No.				
LPBH12M	12	LPIL12F	LPDC12F	LPSTB

## LOW PROFILE / BULKHEAD / FEMALE / CONTACT 12

Female	Contact	Inline	Dummy	Strap
Order No.				
LPBH12F	12	LPIL12M	LPDC12M	LPSTB

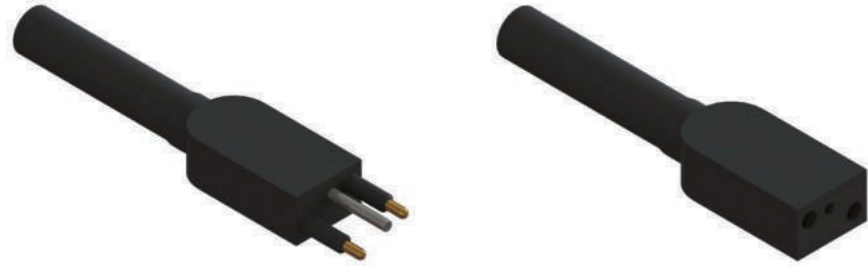
Dimensions in mm, Thread in inches



## FACE VIEW (MALE)



## Low Profile / Inline Contact 2



### OPERATION SPECIFICATION

Max. voltage	600 V DC
Current rating @contact	10A
Max. current @connector	Contact 2: 20A Contact 3: 30A Contact 4,5,7,9,12: 40A
Insulation resistance	>200 Mohm
Contact resistance	<0.01 ohm
Wet matings	>500
Depth rating	600 bar
Temperature rating	-40 to 60°C

### MATERIAL SPECIFICATION

Connector body	Chloroprene rubber
Contact	Gold plate brass
Socket	Beryllium copper
Location pin	Contact 2: stainless steel 316 Contact 3,4,5,7,9,12: N/A
Inline cable	Contact 2: AWG 16 PTFE, 60cm Contact 3,4: AWG 16 Neoprene, 60cm Contact 5,12: AWG 18 Neoprene, 60cm Contact 7,9: AWG 16 Neoprene, 60cm
O-rings	N/A

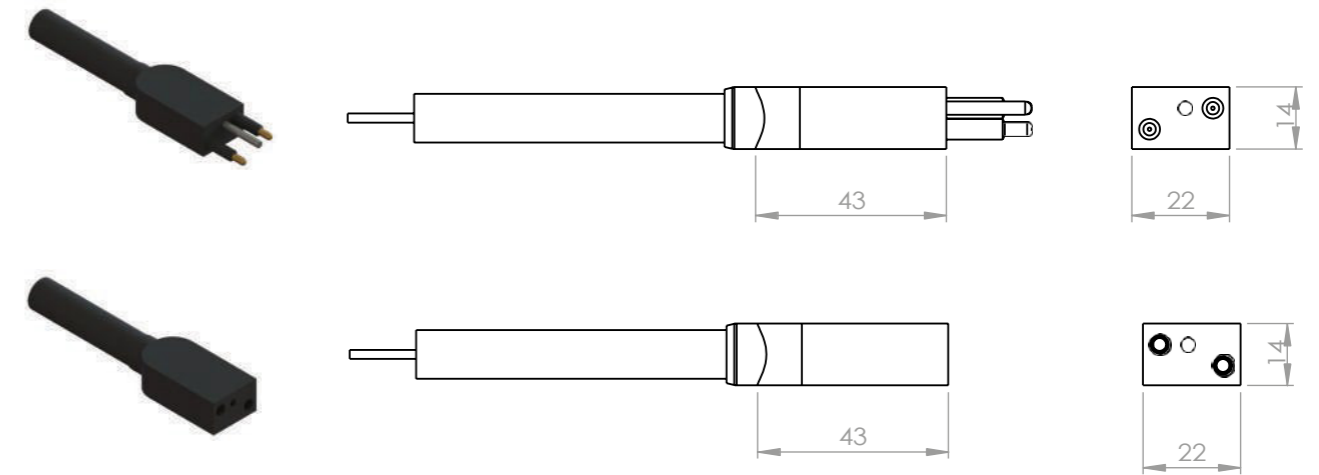
### LOW PROFILE / INLINE / MALE / CONTACT 2

Male	Contact	Bulkhead	Dummy	Strap
Order No.				
LPIL2M	2	LPBH2F	LPDC2F	LPSTA

### LOW PROFILE / INLINE / FEMALE / CONTACT 2

Female	Contact	Bulkhead	Dummy	Strap
Order No.				
LPIL2F	2	LPBH2M	LPDC2M	LPSTA

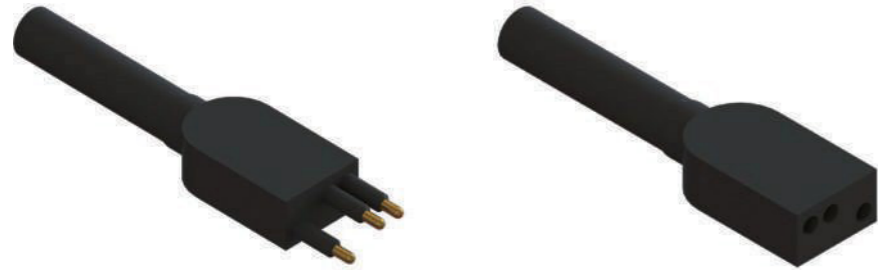
Dimensions in mm, Thread in inches



### FACE VIEW (MALE)



## Low Profile / Inline Contact 3, 4, 5



### OPERATION SPECIFICATION

Max. voltage	600 V DC
Current rating @contact	10A
Max. current @connector	Contact 2: 20A Contact 3: 30A Contact 4,5,7,9,12: 40A
Insulation resistance	>200 Mohm
Contact resistance	<0.01 ohm
Wet matings	>500
Depth rating	600 bar
Temperature rating	-40 to 60°C

### MATERIAL SPECIFICATION

Connector body	Chloroprene rubber
Contact	Gold plate brass
Socket	Beryllium copper
Location pin	Contact 2: stainless steel 316 Contact 3,4,5,7,9,12: N/A
Inline cable	Contact 2: AWG 16 PTFE, 60cm Contact 3,4: AWG 16 Neoprene, 60cm Contact 5,12: AWG 18 Neoprene, 60cm Contact 7,9: AWG 16 Neoprene, 60cm
O-rings	N/A

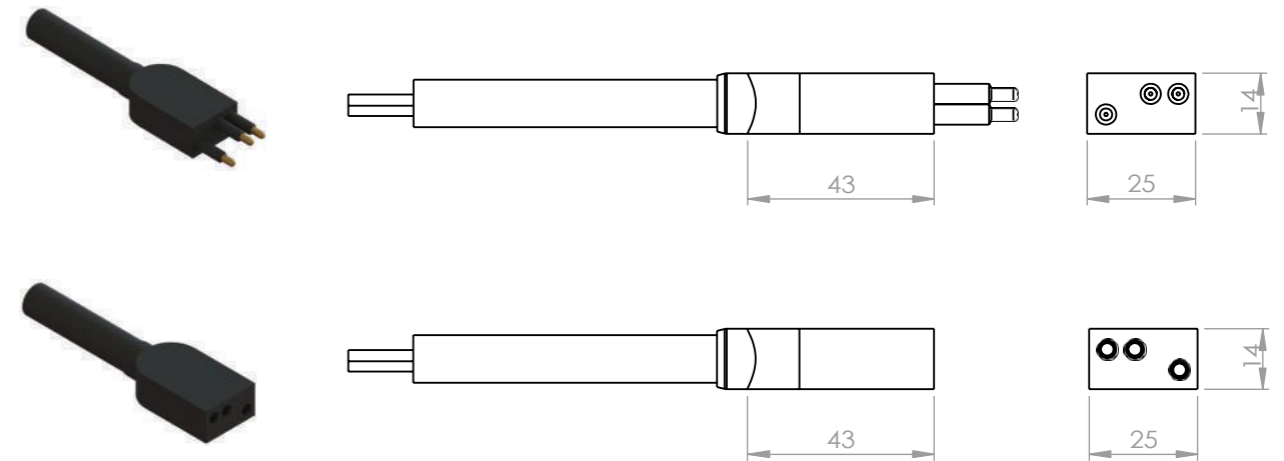
### LOW PROFILE / INLINE / MALE / CONTACT 3,4,5

Male	Contact	Bulkhead	Dummy	Strap
Order No.				
LPIL3M	3	LPBH3F	LPDC3F	LPSTA
LPIL4M	4	LPBH4F	LPDC4F	LPSTA
LPIL5M	5	LPBH5F	LPDC5F	LPSTA

### LOW PROFILE / INLINE / FEMALE / CONTACT 3,4,5

Female	Contact	Bulkhead	Dummy	Strap
Order No.				
LPIL3F	3	LPBH3M	LPDC3M	LPSTA
LPIL4F	4	LPBH4M	LPDC4M	LPSTA
LPIL5F	5	LPBH5M	LPDC5M	LPSTA

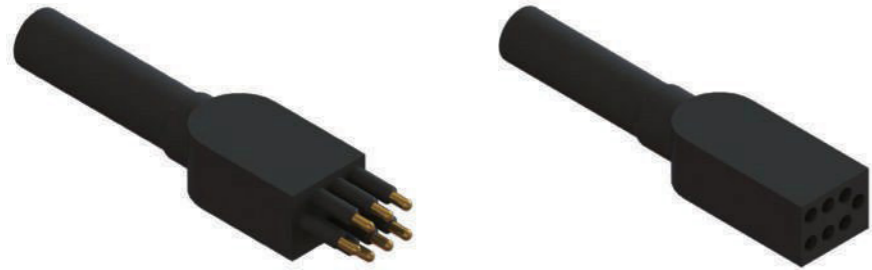
Dimensions in mm, Thread in inches



### FACE VIEW (MALE)



# Low Profile / Inline Contact 7



### OPERATION SPECIFICATION

Max. voltage	600 V DC
Current rating @contact	10A
Max. current @connector	Contact 2: 20A Contact 3: 30A Contact 4,5,7,9,12: 40A
Insulation resistance	>200 Mohm
Contact resistance	<0.01 ohm
Wet matings	>500
Depth rating	600 bar
Temperature rating	-40 to 60°C

### MATERIAL SPECIFICATION

Connector body	Chloroprene rubber
Contact	Gold plate brass
Socket	Beryllium copper
Location pin	Contact 2: stainless steel 316 Contact 3,4,5,7,9,12: N/A
Inline cable	Contact 2: AWG 16 PTFE, 60cm Contact 3,4: AWG 16 Neoprene, 60cm Contact 5,12: AWG 18 Neoprene, 60cm Contact 7,9: AWG 16 Neoprene, 60cm
O-rings	N/A

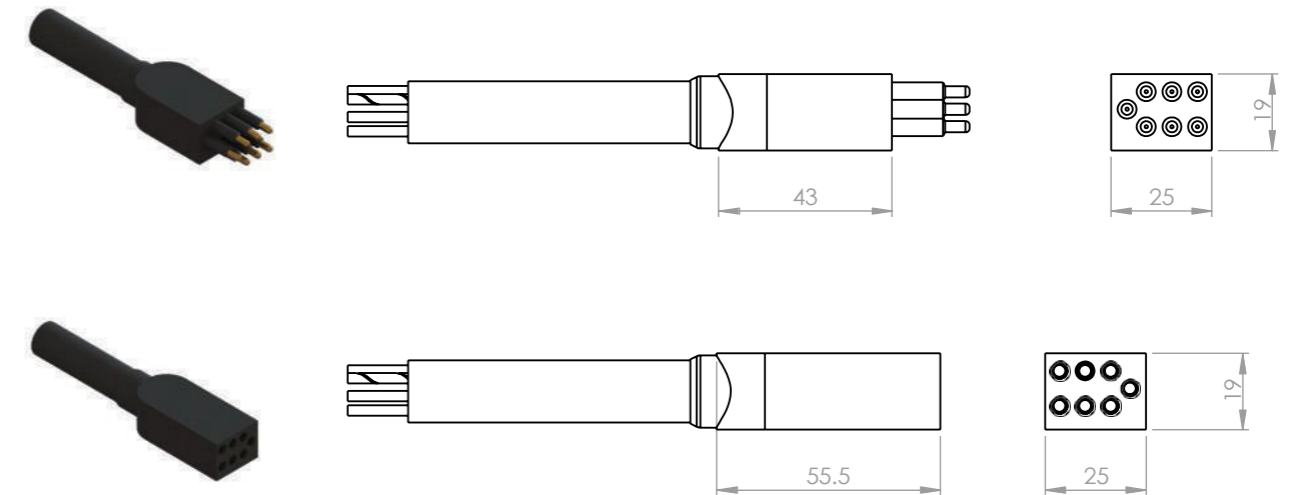
### LOW PROFILE / INLINE / MALE / CONTACT 7

Male	Contact	Bulkhead	Dummy	Strap
Order No.				
LPIL7M	7	LPBH7F	LPDC7F	LPSTB

### LOW PROFILE / INLINE / FEMALE / CONTACT 7

Female	Contact	Bulkhead	Dummy	Strap
Order No.				
LPIL7F	7	LPBH7M	LPDC7M	LPSTB

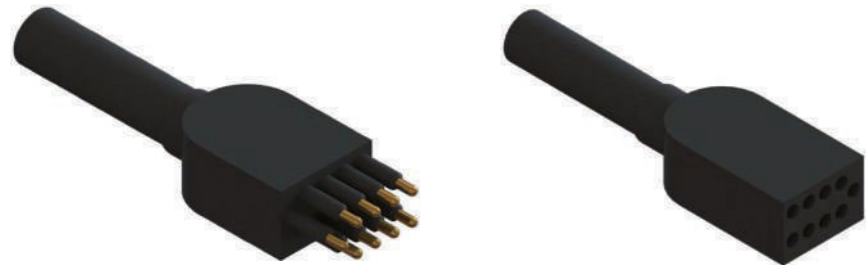
Dimensions in mm, Thread in inches



### FACE VIEW (MALE)



# Low Profile / Inline Contact 9



### OPERATION SPECIFICATION

Max. voltage	600 V DC
Current rating @contact	10A
Max. current @connector	Contact 2: 20A Contact 3: 30A Contact 4,5,7,9,12: 40A
Insulation resistance	>200 Mohm
Contact resistance	<0.01 ohm
Wet matings	>500
Depth rating	600 bar
Temperature rating	-40 to 60°C

### MATERIAL SPECIFICATION

Connector body	Chloroprene rubber
Contact	Gold plate brass
Socket	Beryllium copper
Location pin	Contact 2: stainless steel 316 Contact 3,4,5,7,9,12: N/A
Inline cable	Contact 2: AWG 16 PTFE, 60cm Contact 3,4: AWG 16 Neoprene, 60cm Contact 5,12: AWG 18 Neoprene, 60cm Contact 7,9: AWG 16 Neoprene, 60cm
O-rings	N/A

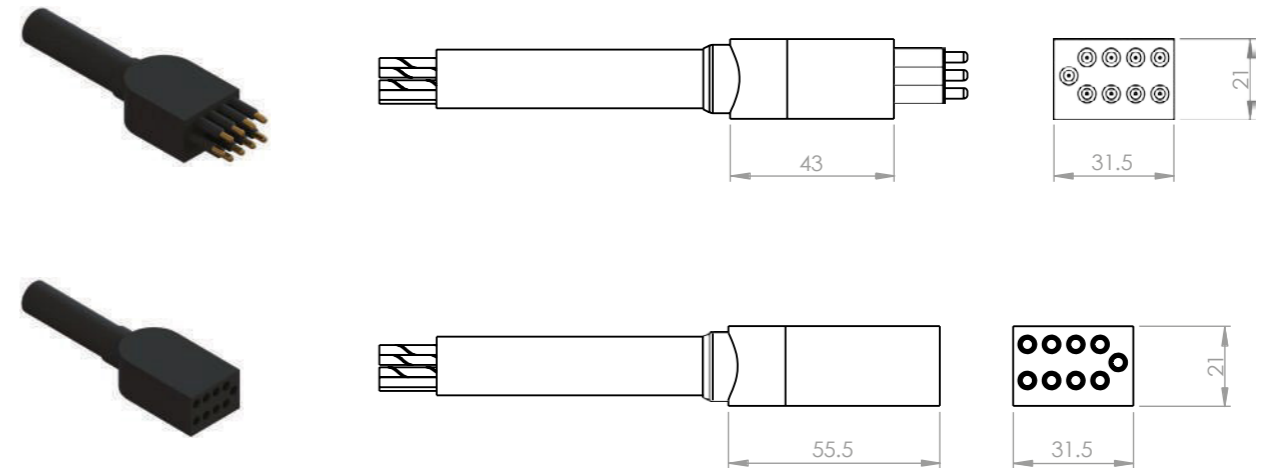
### LOW PROFILE / INLINE / MALE / CONTACT 9

Male	Contact	Bulkhead	Dummy	Strap
Order No.				
LPIL9M	9	LPBH9F	LPDC9F	LPSTB

### LOW PROFILE / INLINE / FEMALE / CONTACT 9

Female	Contact	Bulkhead	Dummy	Strap
Order No.				
LPIL9F	9	LPBH9M	LPDC9M	LPSTB

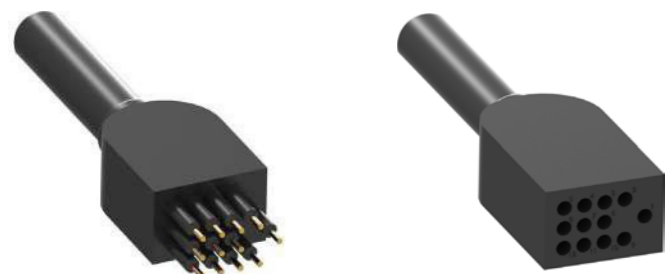
Dimensions in mm, Thread in inches



### FACE VIEW (MALE)



## Low Profile / Inline Contact 12



### OPERATION SPECIFICATION

Max. voltage	600 V DC
Current rating @contact	10A
Max. current @connector	Contact 2: 20A Contact 3: 30A Contact 4,5,7,9,12: 40A
Insulation resistance	>200 Mohm
Contact resistance	<0.01 ohm
Wet matings	>500
Depth rating	600 bar
Temperature rating	-40 to 60°C

### MATERIAL SPECIFICATION

Connector body	Chloroprene rubber
Contact	Gold plate brass
Socket	Beryllium copper
Location pin	Contact 2: stainless steel 316 Contact 3,4,5,7,9,12: N/A
Inline cable	Contact 2: AWG 16 PTFE, 60cm Contact 3,4: AWG 16 Neoprene, 60cm Contact 5,12: AWG 18 Neoprene, 60cm Contact 7,9: AWG 16 Neoprene, 60cm
O-rings	N/A

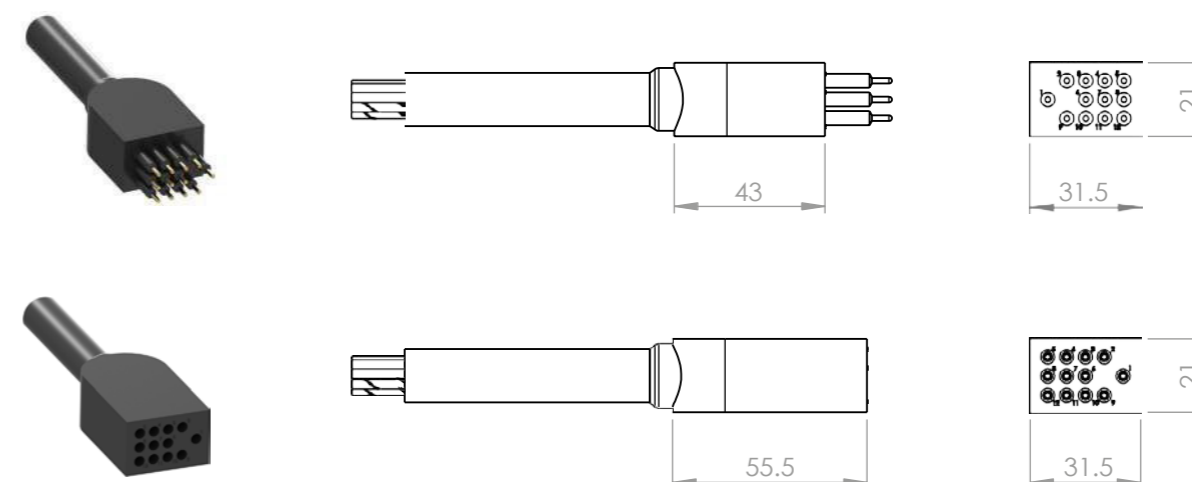
### LOW PROFILE / INLINE / MALE / CONTACT 12

Male	Contact	Bulkhead	Dummy	Strap
Order No.				
LPIL12M	12	LPBH12F	LPDC12F	LPSTB

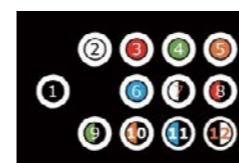
### LOW PROFILE / INLINE / FEMALE / CONTACT 7

Female	Contact	Bulkhead	Dummy	Strap
Order No.				
LPIL12F	12	LPBH12M	LPDC12M	LPSTB

Dimensions in mm, Thread in inches

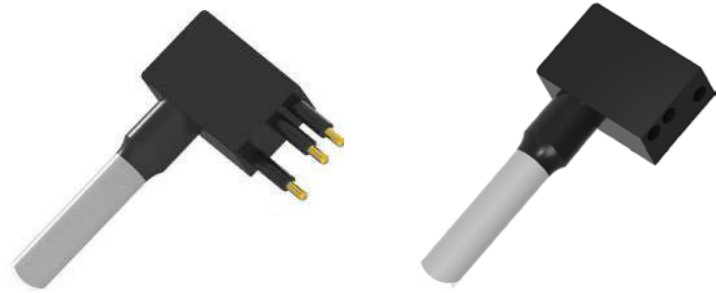


### FACE VIEW (MALE)



# Low Profile / Inline RA

## Contact 3, 4, 5



### OPERATION SPECIFICATION

Max. voltage	600 V DC
Current rating @contact	10A
Max. current @connector	Contact 3: 30A Contact 4,5: 40A
Insulation resistance	>200 Mohm
Contact resistance	<0.01 ohm
Wet matings	>500
Depth rating	600 bar
Temperature rating	-40 to 60°C

### MATERIAL SPECIFICATION

Connector body	Chloroprene rubber
Contact	Gold plated brass
Socket	Beryllium copper
Location pin	N/A
Inline cable	Contact 3,4: AWG 16 Neoprene, 60 cm Contact 5: AWG 18 Neoprene, 60 cm

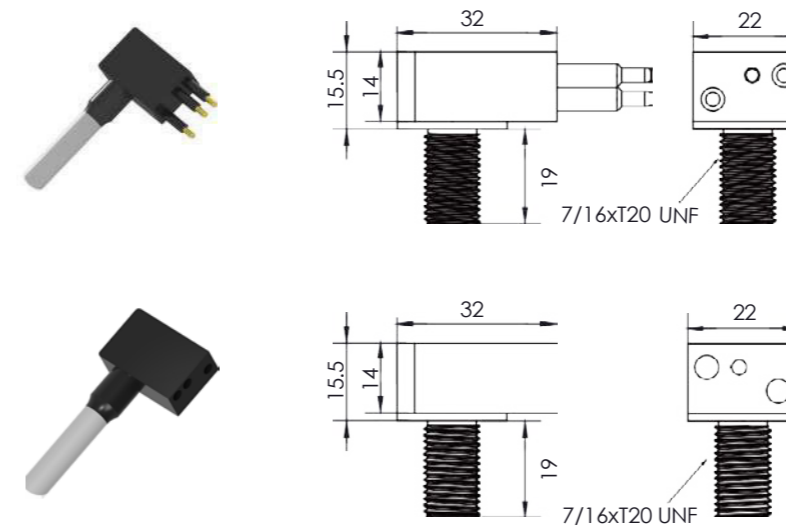
### LOW PROFILE / INLINE RA / MALE / CONTACT 3,4,5

Male	Contact	Bulkhead	Dummy	Strap
Order No.				
LPIA3M	3	LPBH3F	LPDC3F	LPSTA
LPIA4M	4	LPBH4F	LPDC4F	LPSTA
LPIA5M	5	LPBH5F	LPDC5F	LPSTA

### LOW PROFILE / INLINE RA / FEMALE / CONTACT 3,4,5

Female	Contact	Bulkhead	Dummy	Strap
Order No.				
LPIA3F	3	LPBH3M	LPDC3M	LPSTA
LPIA4F	4	LPBH4M	LPDC4M	LPSTA
LPIA5F	5	LPBH5M	LPDC5M	LPSTA

Dimensions in mm, Thread in inches



### FACE VIEW (MALE)



## Low Profile / Dummy Contact 2, 3, 4, 5, 7, 9, 12



### MATERIAL SPECIFICATION

Connector body	Chloroprene rubber
Contact	Gold plated brass
Socket	N/A
Location pin	Stainless steel 316

### LOW PROFILE / DUMMY / MALE / CONTACT 2,3,4,5,6,7,9,12

Male	Contact	Bulkhead	Inline	Strap
Order No.				
LPDC2M	2	LPBH2F	LPIL2F	LPSTA
LPDC3M	3	LPBH3F	LPIL3F	LPSTA
LPDC4M	4	LPBH4F	LPIL4F	LPSTA
LPDC5M	5	LPBH5F	LPIL5F	LPSTA
LPDC7M	7	LPBH7F	LPIL7F	LPSTB
LPDC9M	9	LPBH9F	LPIL9F	LPSTB
LPDC12M	12	LPBH12F	LPIL12F	LPSTB

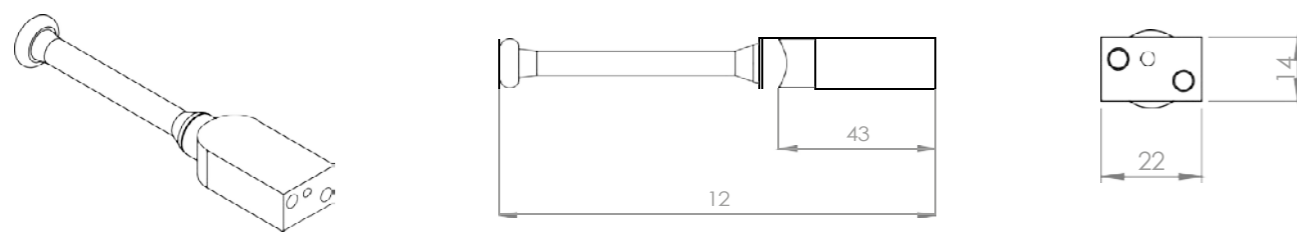
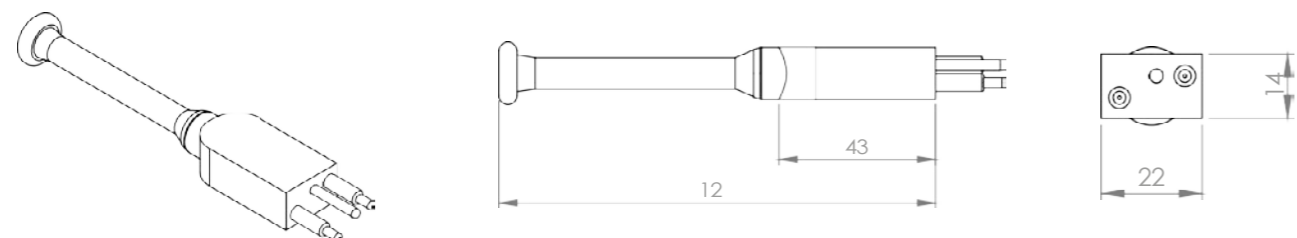
### LOW PROFILE / DUMMY / FEMALE / CONTACT 2,3,4,5,6,7,9,12

Female	Contact	Bulkhead	Inline	Strap
Order No.				
LPDC2F	2	LPBH2M	LPIL2M	LPSTA
LPDC3F	3	LPBH3M	LPIL3M	LPSTA
LPDC4F	4	LPBH4M	LPIL4M	LPSTA
LPDC5F	5	LPBH5M	LPIL5M	LPSTA
LPDC7F	7	LPBH7M	LPIL7M	LPSTB
LPDC9F	9	LPBH9M	LPIL9M	LPSTB
LPDC12F	12	LPBH12M	LPIL12M	LPSTB

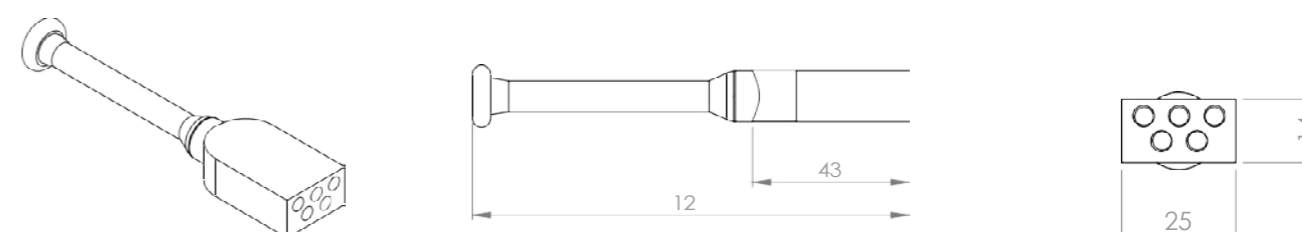
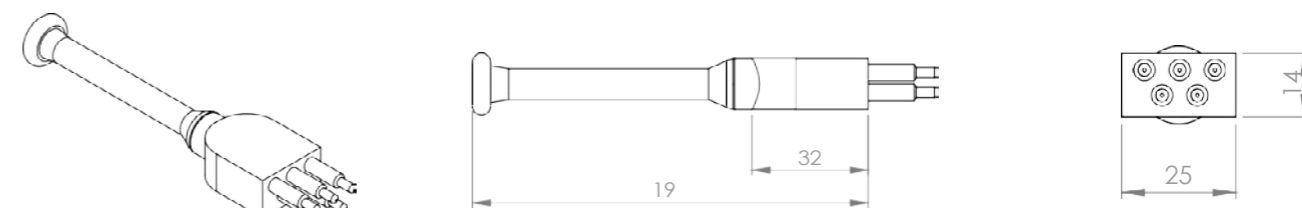
## Low Profile / Dummy

### Contact 2

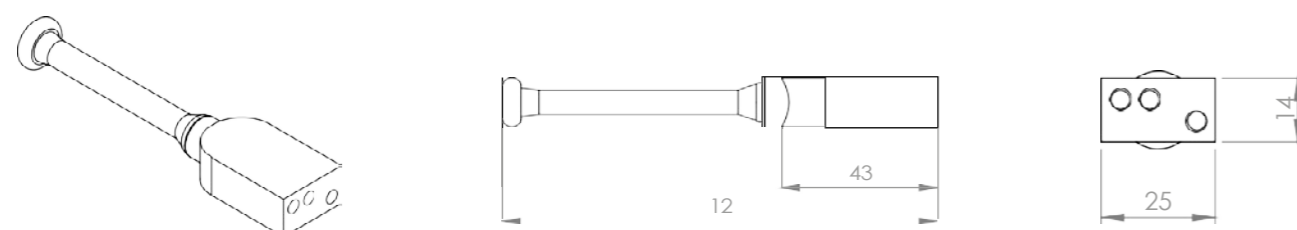
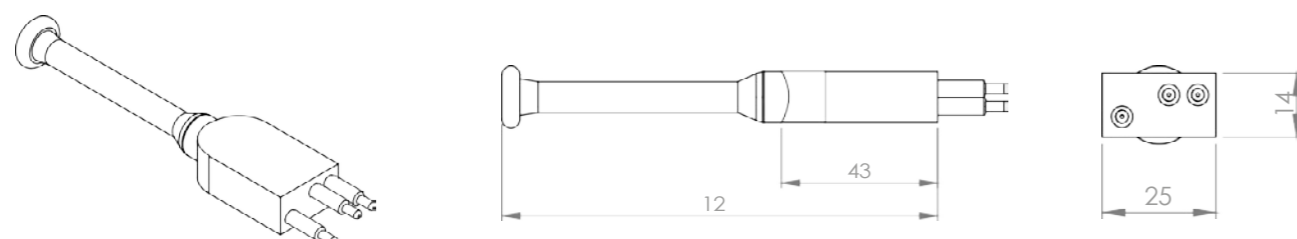
Dimensions in mm, Thread in inches



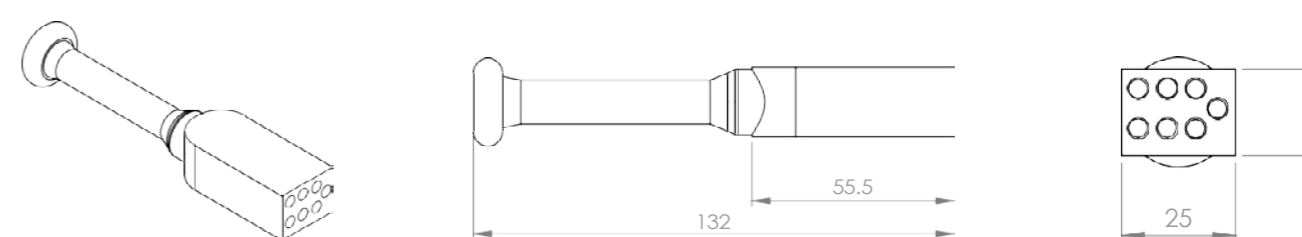
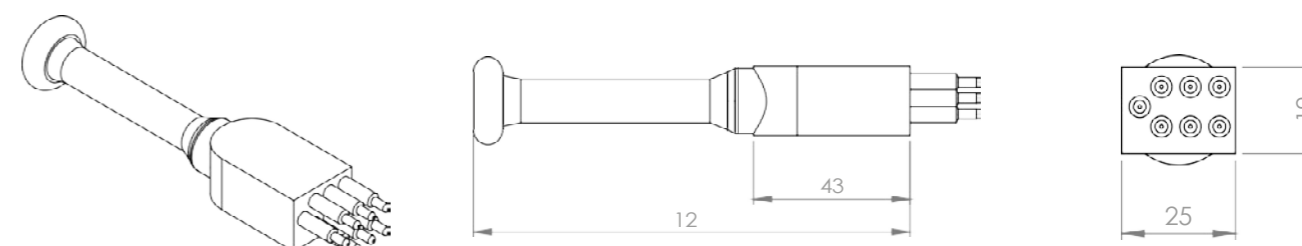
### Contact 5



### Contact 3, 4



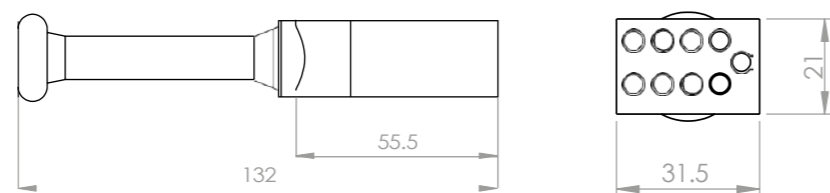
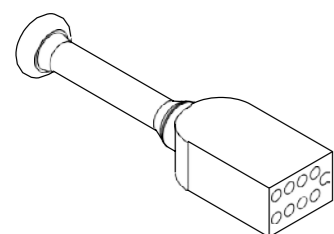
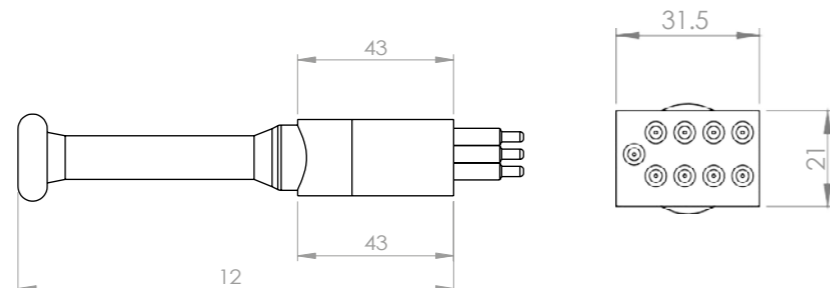
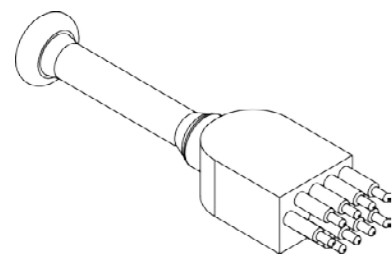
### Contact 7



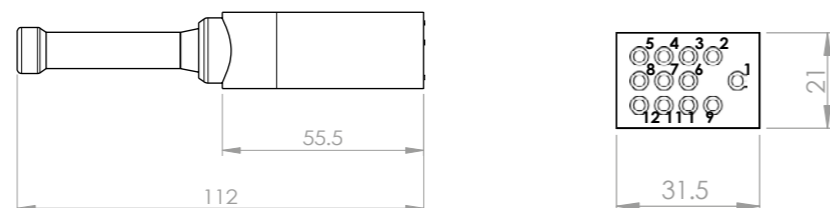
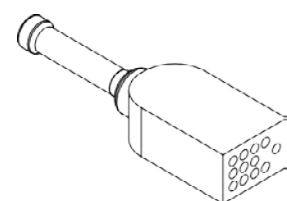
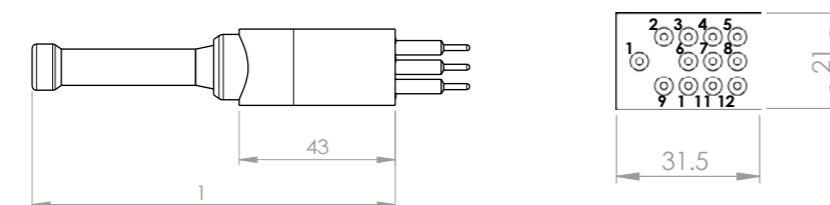
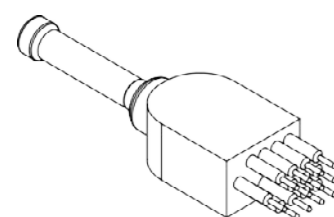
## Low Profile / Dummy

### Contact 9

Dimensions in mm, Thread in inches



### Contact 12



## Strap for Low Profile Series

### Install Instructions



#### STEP 1

Plug the connectors



#### STEP 2

Pull the strap to bundle two connectors

# Low Profile Micro

Bulkhead

Inline

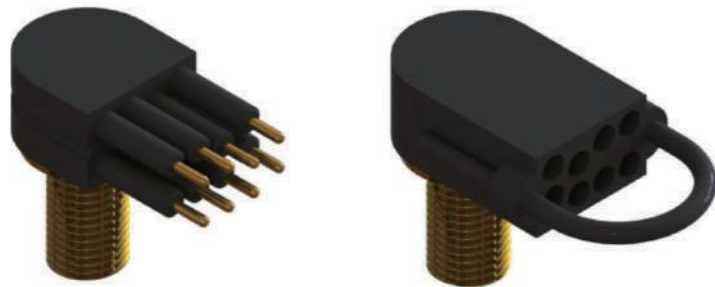
Overmold

Dummy



# Low Profile Micro / Bulkhead

## Contact 2, 3, 4, 5, 6, 7, 8



### OPERATION SPECIFICATION

Max. voltage	300 V DC
Current rating @contact	5A
Max. current @connector	20A
Insulation resistance	>200 Mohm
Contact resistance	<0.01 ohm
Wet matings	>500
Depth rating	600 bar (300 bar for PEEK)
Temperature rating	-40 to 60°C

### MATERIAL SPECIFICATION

Connector body	Chloroprene Rubber
Bulkhead body	Brass(BR), stainless steel 316(SS), anodized aluminum(AL), titanium(TI), PEEK(PE)
Contact	Gold plated brass
Socket	Beryllium copper
Location pin	Stainless steel 316
Bulkhead leads	AWG 2 PTFE, 30cm
O-rings	NBR 2-014

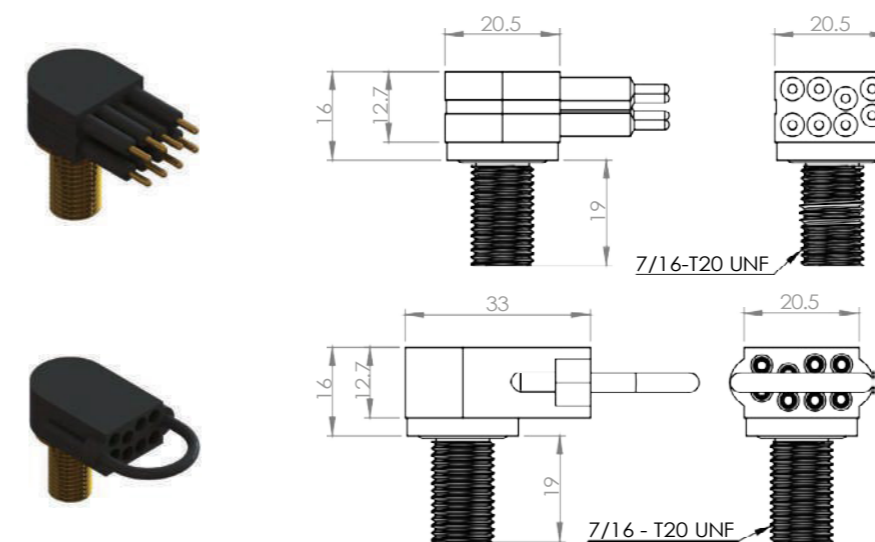
### LOW PROFILE MICRO / BULKHEAD / MALE / CONTACT 2,3,4,5,6,7,8

Male	Contact	Inline	Dummy	Strap
Order No.				
LPMCBH2M	2	LPMCIL2F	LPMCDC2F	N/A
LPMCBH3M	3	LPMCIL3F	LPMCDC3F	N/A
LPMCBH4M	4	LPMCIL4F	LPMCDC4F	N/A
LPMCBH5M	5	LPMCIL5F	LPMCDC5F	N/A
LPMCBH6M	6	LPMCIL6F	LPMCDC6F	N/A
LPMCBH7M	7	LPMCIL7F	LPMCDC7F	N/A
LPMCBH8M	8	LPMCIL8F	LPMCDC8F	N/A

### LOW PROFILE MICRO / BULKHEAD / FEMALE / CONTACT 2,3,4,5,6,7,8

Female	Contact	Inline	Dummy	Strap
Order No.				
LPMCBH2F	2	LPMCIL2M	LPMCDC2M	N/A
LPMCBH3F	3	LPMCIL3M	LPMCDC3M	N/A
LPMCBH4F	4	LPMCIL4M	LPMCDC4M	N/A
LPMCBH5F	5	LPMCIL5M	LPMCDC5M	N/A
LPMCBH6F	6	LPMCIL6M	LPMCDC6M	N/A
LPMCBH7F	7	LPMCIL7M	LPMCDC7M	N/A
LPMCBH8F	8	LPMCIL8M	LPMCDC8M	N/A

Dimensions in mm, Thread in inches



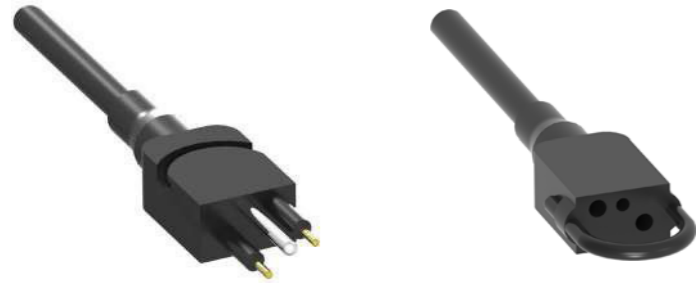
### FACE VIEW (MALE)



All product descriptions and specifications subject to change without notice

# Low Profile Micro / Inline

## Contact 2, 3, 4, 5, 6, 7, 8



### OPERATION SPECIFICATION

Max. voltage	300 V DC
Current rating @contact	5A
Max. current @connector	20A
Insulation resistance	>200 Mohm
Contact resistance	<0.01 ohm
Wet matings	>500
Depth rating	600 bar
Temperature rating	-40 to 60°C

### MATERIAL SPECIFICATION

Connector body	Chloroprene rubber
Contact	Gold plated brass
Socket	Beryllium copper
Location pin	Stainless steel 316
Inline cable	AWG 20 EPDM, 60cm
O-rings	N/A

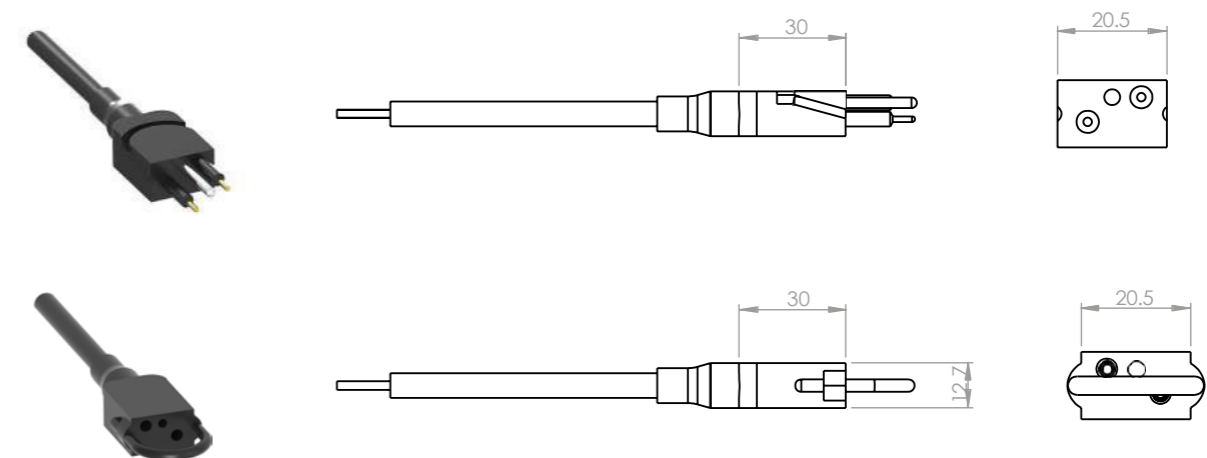
### LOW PROFILE MICRO / INLINE / MALE / CONTACT 2,3,4,5,6,7,8

Male	Contact	Bulkhead	Dummy	Strap
Order No.				
LPMCIL2M	2	LPMCBH2F	LPMCDC2F	N/A
LPMCIL3M	3	LPMCBH3F	LPMCDC3F	N/A
LPMCIL4M	4	LPMCBH4F	LPMCDC4F	N/A
LPMCIL5M	5	LPMCBH5F	LPMCDC5F	N/A
LPMCIL6M	6	LPMCBH6F	LPMCDC6F	N/A
LPMCIL7M	7	LPMCBH7F	LPMCDC7F	N/A
LPMCIL8M	8	LPMCBH8F	LPMCDC8F	N/A

### LOW PROFILE MICRO / INLINE / FEMALE / CONTACT 2,3,4,5,6,7,8

Female	Contact	Bulkhead	Dummy	Strap
Order No.				
LPMCIL2F	2	LPMCBH2M	LPMCDC2M	N/A
LPMCIL3F	3	LPMCBH3M	LPMCDC3M	N/A
LPMCIL4F	4	LPMCBH4M	LPMCDC4M	N/A
LPMCIL5F	5	LPMCBH5M	LPMCDC5M	N/A
LPMCIL6F	6	LPMCBH6M	LPMCDC6M	N/A
LPMCIL7F	7	LPMCBH7M	LPMCDC7M	N/A
LPMCIL8F	8	LPMCBH8M	LPMCDC8M	N/A

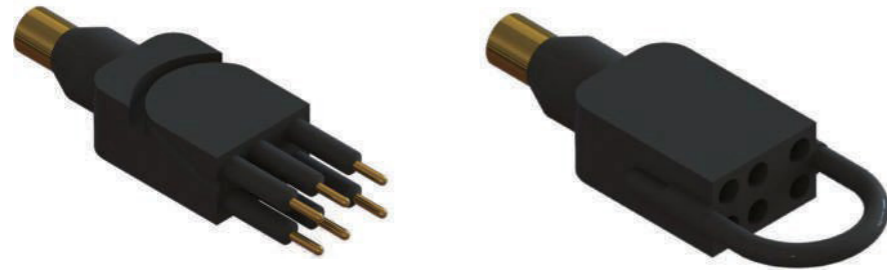
Dimensions in mm, Thread in inches



### FACE VIEW (MALE)



## Low Profile Micro / Overmold Contact 2, 3, 4, 5, 6



### OPERATION SPECIFICATION

Max. voltage	300 V DC
Current rating @contact	5A
Max. current @connector	20A
Insulation resistance	>200 Mohm
Contact resistance	<0.01 ohm
Wet matings	>500
Depth rating	600 bar
Temperature rating	-40 to 60°C

### MATERIAL SPECIFICATION

Connector body	Chloroprene rubber
Bulkhead body	Brass(BR)
Contact	Gold plated brass
Socket	Beryllium copper
Location pin	Stainless steel 316
Bulkhead leads	AWG 2 PTFE, 10cm
O-rings	N/A

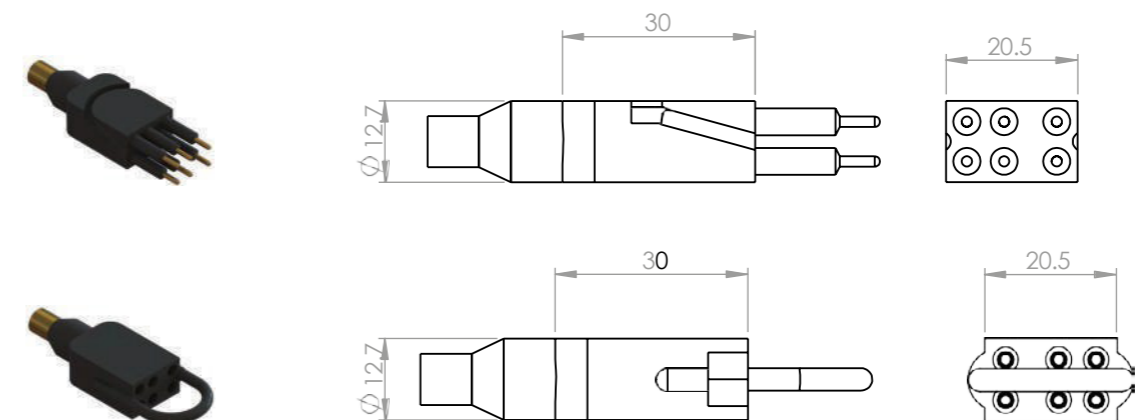
### LOW PROFILE MICRO / OVERMOLD / MALE / CONTACT 2,3,4,5,6

Male	Contact	Bulkhead	Dummy	Strap
Order No.				
LPMCOM2M	2	LPMCBH2F	LPMCDC2F	N/A
LPMCOM3M	3	LPMCBH3F	LPMCDC3F	N/A
LPMCOM4M	4	LPMCBH4F	LPMCDC4F	N/A
LPMCOM5M	5	LPMCBH5F	LPMCDC5F	N/A
LPMCOM6M	6	LPMCBH6F	LPMCDC6F	N/A

### LOW PROFILE MICRO / OVERMOLD / FEMALE / CONTACT 2,3,4,5,6

Female	Contact	Bulkhead	Dummy	Strap
Order No.				
LPMCOM2F	2	LPMCBH2M	LPMCDC2M	N/A
LPMCOM3F	3	LPMCBH3M	LPMCDC3M	N/A
LPMCOM4F	4	LPMCBH4M	LPMCDC4M	N/A
LPMCOM5F	5	LPMCBH5M	LPMCDC5M	N/A
LPMCOM6F	6	LPMCBH6M	LPMCDC6M	N/A

Dimensions in mm, Thread in inches



### FACE VIEW (MALE)



# Low Profile Micro / Dummy Contact 2, 3, 4, 5, 6, 7, 8



### MATERIAL SPECIFICATION

Connector body	Chloroprene rubber
Contact	Gold plated brass
Socket	N/A
Location pin	Stainless steel 316

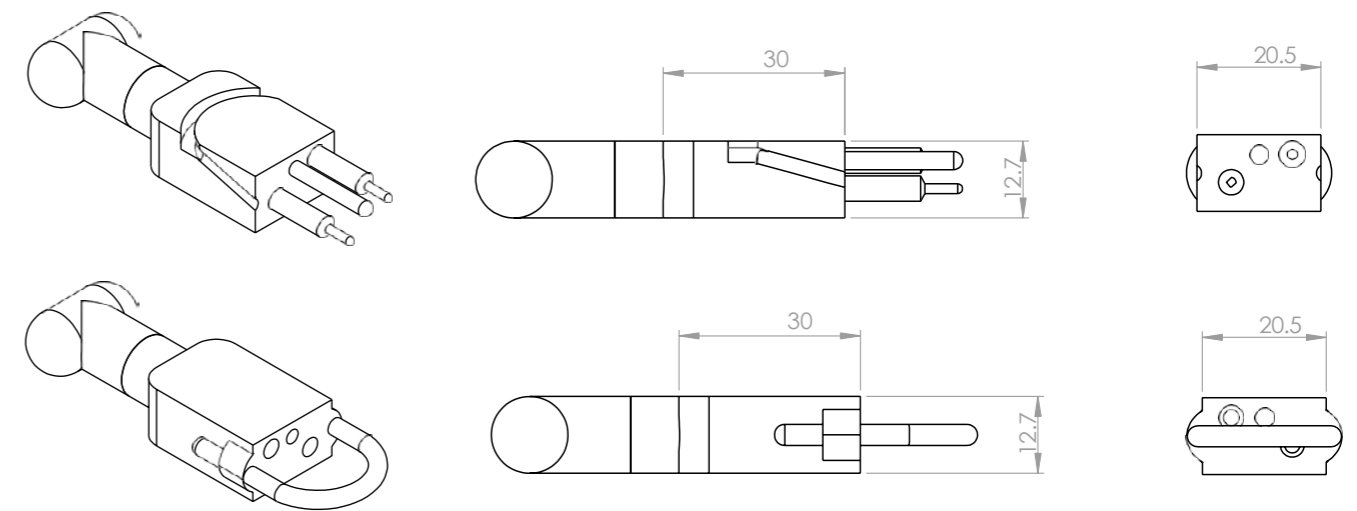
### LOW PROFILE MICRO/ DUMMY / MALE / CONTACT 2,3,4,5,6,7,8

Male	Contact	Bulkhead	Inline	Strap
Order No.				
LPMCDC2M	2	LPMCBH2F	LPMCIL2F	N/A
LPMCDC3M	3	LPMCBH3F	LPMCIL3F	N/A
LPMCDC4M	4	LPMCBH4F	LPMCIL4F	N/A
LPMCDC5M	5	LPMCBH5F	LPMCIL5F	N/A
LPMCDC6M	6	LPMCBH6F	LPMCIL6F	N/A
LPMCDC7M	7	LPMCBH7F	LPMCIL7F	N/A
LPMCDC8M	8	LPMCBH8F	LPMCIL8F	N/A

### LOW PROFILE MICRO/ DUMMY / FEMALE / CONTACT 2,3,4,5,6,7,8

Female	Contact	Bulkhead	Inline	Strap
Order No.				
LPMCDC2F	2	LPMCBH2M	LPMCIL2M	N/A
LPMCDC3F	3	LPMCBH3M	LPMCIL3M	N/A
LPMCDC4F	4	LPMCBH4M	LPMCIL4M	N/A
LPMCDC5F	5	LPMCBH5M	LPMCIL5M	N/A
LPMCDC6F	6	LPMCBH6M	LPMCIL6M	N/A
LPMCDC7F	7	LPMCBH7M	LPMCIL7M	N/A
LPMCDC8F	8	LPMCBH8M	LPMCIL8M	N/A

Dimensions in mm, Thread in inches



# High Power

Bulkhead

Inline

Dummy



# High Power / Bulkhead Contact 4



### OPERATION SPECIFICATION

Max. voltage	600 V DC
Current rating @contact	50A
Max. current @connector	200A
Insulation resistance	>200 Mohm
Contact resistance	<0.01 ohm
Wet mating	>500
Depth rating	600 bar
Temperature rating	-40 to 60°C

### MATERIAL SPECIFICATION

Connector body	Chloroprene rubber
Bulkhead body	Brass(BR), stainless steel 316(SS)
Contact	Gold plated brass
Socket	Beryllium copper
Location pin	Stainless steel 316
Bulkhead leads	AWG 10 PTFE, 30cm
O-rings	NBR 2-022

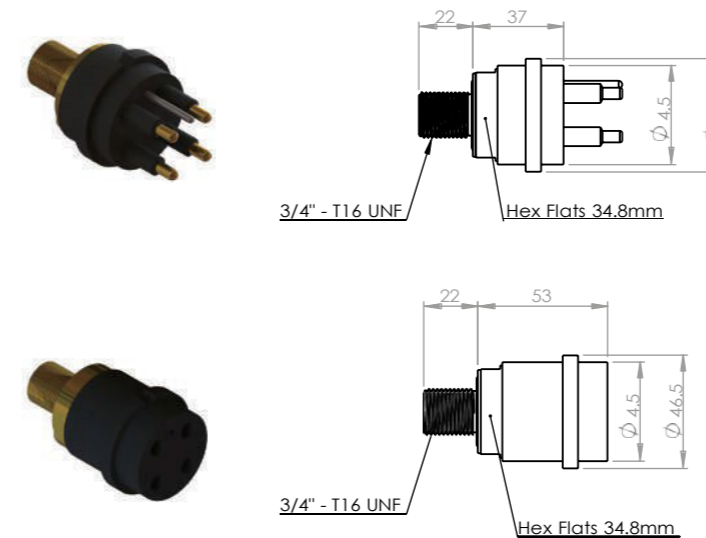
### HIGH POWER BATTERY / BULKHEAD / MALE / CONTACT 4

Male	Contact	Inline	Dummy	Locking Sleeve
Order No.				
HPBH4M	4	HPIL4F	HPDC4F	DLSCM

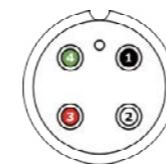
### HIGH POWER BATTERY / BULKHEAD / FEMALE / CONTACT 4

Female	Contact	Inline	Dummy	Locking Sleeve
Order No.				
HPBH4F	4	HPIL4M	HPDC4M	DLSCF

Dimensions in mm, Thread in inches



### FACE VIEW (MALE)



# High Power / Inline Contact 4



### OPERATION SPECIFICATION

Max. voltage	600 V DC
Current rating @contact	50A
Max. current @ connector	200A
Insulation resistance	>200 Mohm
Contact resistance	<0.01 ohm
Wet mating	>500
Depth rating	600 bar
Temperature rating	-40 to 60°C

### MATERIAL SPECIFICATION

Connector body	Chloroprene rubber
Contact	Gold plated brass
Socket	Beryllium copper
Location pin	Stainless steel 316
Inline cable	AWG 8 Neoprene, 60cm
O-rings	N/A

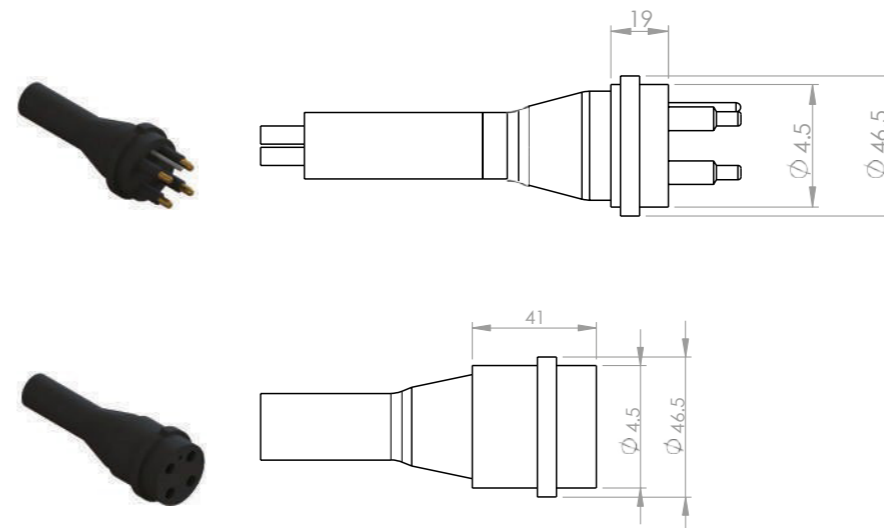
### HIGH POWER BATTERY / INLINE / MALE / CONTACT 4

Male	Contact	Bulkhead	Dummy	Locking Sleeve
Order No.				
HPIL4M	4	HPBH4F	HPDC4F	DLSCF

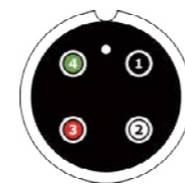
### HIGH POWER BATTERY / INLINE / FEMALE / CONTACT 4

Female	Contact	Bulkhead	Dummy	Locking Sleeve
Order No.				
HPIL4F	4	HPBH4M	HPDC4M	DLSCM

Dimensions in mm, Thread in inches



### FACE VIEW (MALE)



# High Power / Dummy Contact 4



### MATERIAL SPECIFICATION

Connector body	Chloroprene rubber
Contact	Gold plated brass
Socket	N/A
Location pin	Stainless steel 316

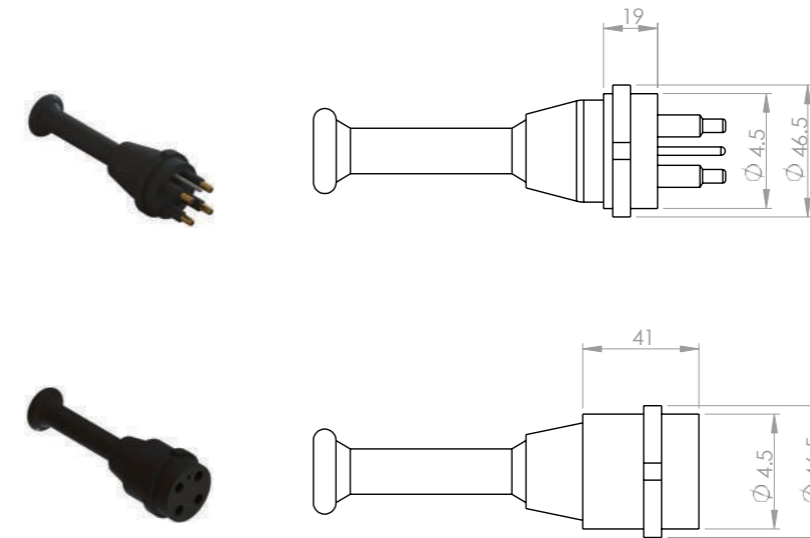
### HIGH POWER BATTERY / DUMMY / MALE / CONTACT 4

Male	Contact	Bulkhead	Inline	Locking Sleeve
Order No.				
HPDC4M	4	HPBH4F	HPIL4F	DLSCM

### HIGH POWER BATTERY / DUMMY / FEMALE / CONTACT 4

Female	Contact	Bulkhead	Inline	Locking Sleeve
Order No.				
HPDC4F	4	HPBH4	HPIL4M	DLSCF

Dimensions in mm, Thread in inches



# Power Battery

Bulkhead

Inline

Dummy



# Power Battery / Bulkhead Contact 2, 3, 4



### OPERATION SPECIFICATION

Max. voltage	600 V DC
Current rating @contact	25A
Max. current @ contact	50A
Insulation resistance	>200 Mohm
Contact resistance	<0.01 ohm
Wet matings	>500
Depth rating	600 bar
Temperature rating	-40 to 60°C

### MATERIAL SPECIFICATION

Connector body	Chloroprene rubber
Bulkhead body	Brass(BR), stainless steel 316(SS)
Contact	Gold plated brass
Socket	Beryllium copper
Location pin	Stainless steel 316
Bulkhead leads	Contact 2,3: AWG 10 PTFE, 30 cm Contact 4: AWG 12 PTFE, 30 cm
O-rings	NBR 2-017

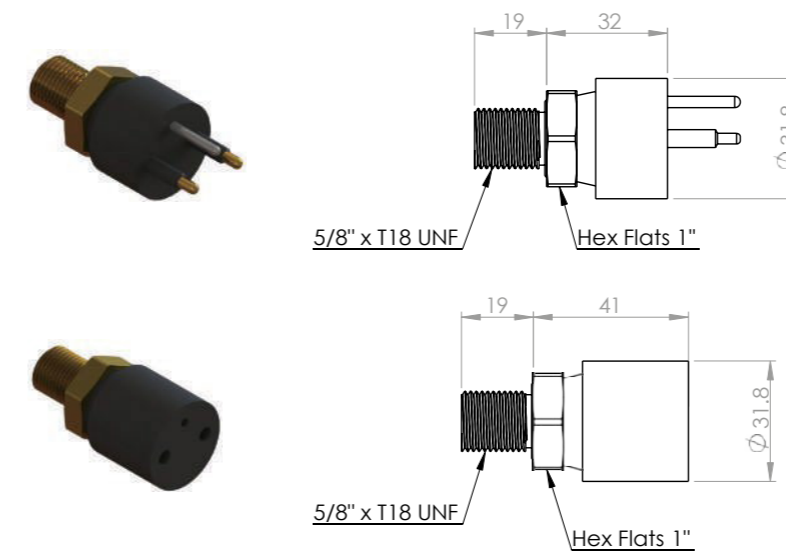
### POWER BATTERY / BULKHEAD / MALE / CONTACT 2,3,4

Male	Contact	Inline	Dummy	Locking Sleeve
Order No.				
PBBH2M	2	PBIL2F	PBDC2F	DLSBM
PBBH3M	3	PBIL3F	PBDC3F	DLSBM
PBBH4M	4	PBIL4F	PBDC4F	DLSBM

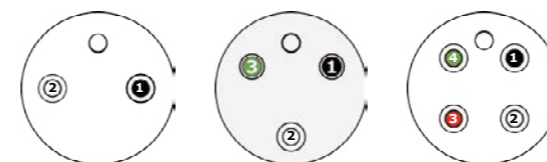
### POWER BATTERY / BULKHEAD / FEMALE / CONTACT 2,3,4

Female	Contact	Inline	Dummy	Locking Sleeve
Order No.				
PBBH2F	2	PBIL2M	PBDC2M	DLSBF
PBBH3F	3	PBIL3M	PBDC3M	DLSBF
PBBH4F	4	PBIL4M	PBDC4M	DLSBF

Dimensions in mm, Thread in inches



### FACE VIEW (MALE)



# Power Battery / Inline

## Contact 2, 3, 4



### OPERATION SPECIFICATION

Max. voltage	600 V DC
Current rating @contact	25A
Max. currnet @ contact	50A
Insulation resistance	>200 Mohm
Contact resistance	<0.01 ohm
Wet matings	>500
Depth rating	600 bar
Temperature rating	-40 to 60°C

### MATERIAL SPECIFICATION

Connector body	Chloroprene rubber
Contact	Gold plated brass
Socket	Beryllium copper
Location pin	Stainless steel 316
Inline cable	Contact 2,3: AWG 10 Neoprene, 60cm Contact 4: AWG 12 Neoprene, 60cm
O-rings	N/A

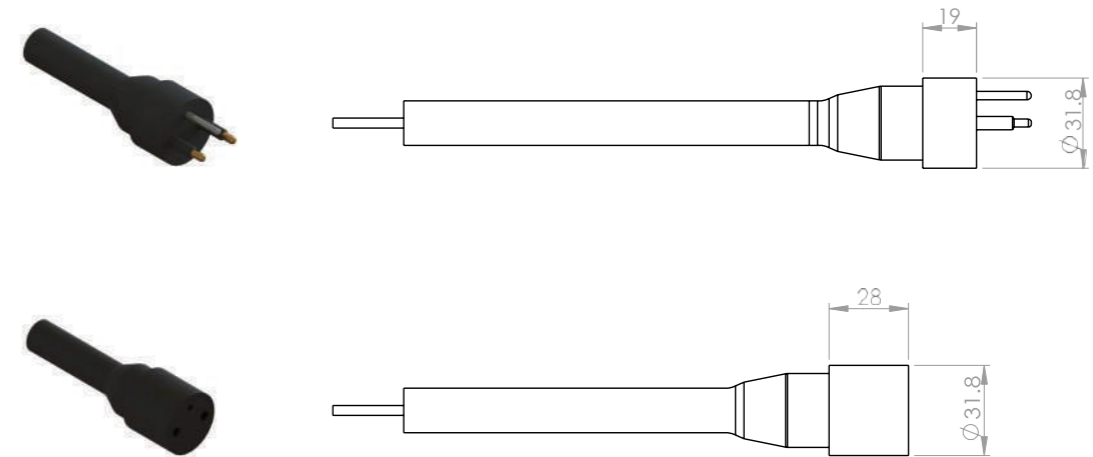
### POWER BATTERY / INLINE / MALE / CONTACT 2,3,4

Male	Contact	Bulkhead	Dummy	Locking Sleeve
Order No.				
PBIL2M	2	PBBH2F	PBDC2F	DLSBM
PBIL3M	3	PBBH3F	PBDC3F	DLSBM
PBIL4M	4	PBBH4F	PBDC4F	DLSBM

### POWER BATTERY / INLINE / FEMALE / CONTACT 2,3,4

Female	Contact	Bulkhead	Dummy	Locking Sleeve
Order No.				
PBIL2F	2	PBBH2M	PBDC2M	DLSBF
PBIL3F	3	PBBH3M	PBDC3M	DLSBF
PBIL4F	4	PBBH4M	PBDC4M	DLSBF

Dimensions in mm, Thread in inches



### FACE VIEW (MALE)



## Power Battery / Dummy Contact 2, 3, 4



### MATERIAL SPECIFICATION

Connector body	Chloroprene rubber
Contact	Gold plated brass
Socket	N/A
Location pin	Stainless steel 316

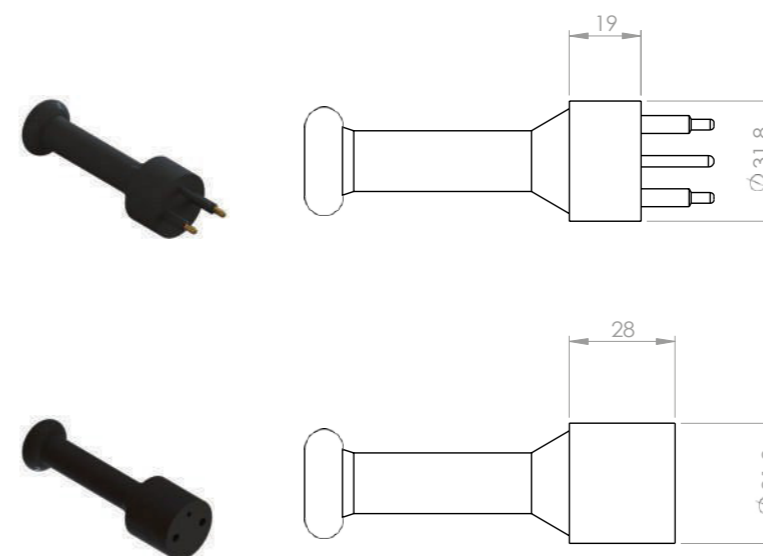
### POWER BATTERY / DUMMY / MALE / CONTACT 2,3,4

Male	Contact	Bulkhead	Inline	Locking Sleeve
Order No.				
PBDC2M	2	PBBH2F	PBIL2F	DLSBM
PBDC3M	3	PBBH3F	PBIL3F	DLSBM
PBDC4M	4	PBBH4F	PBIL4F	DLSBM

### POWER BATTERY / DUMMY / FEMALE / CONTACT 2,3,4

Female	Contact	Bulkhead	Inline	Locking Sleeve
Order No.				
PBDC2F	2	PBBH2M	PBIL2M	DLSBF
PBDC3F	3	PBBH3M	PBIL3M	DLSBF
PBDC4F	4	PBBH4M	PBIL4M	DLSBF

Dimensions in mm, Thread in inches



# Coax 50ohm

Bulkhead

Inline

Dummy



# Coax 50ohm / Bulkhead Contact 1



## OPERATION SPECIFICATION

Max. voltage	300 V DC
Current rating @contact	5A
Max. current @connector	20A
Video types	Recommended SDI, HD-SDI, 3G-SDI and composite
Frequency*	0.3 GHz, 0.5 GHz, 1.0 GHz, 1.5 GHz, 2 GHz, 2.5 GHz, 3 GHz
Attenuation*	4.6 dB, 6.5 dB, 10.2 dB, 12.3 db, 16.3 dB, 18.5 dB, 20 dB
Max. frequency	3.0 GHz
Insulation resistance	>200 Mohm
Contact resistance	<0.01 ohm
Depth rating	600 bar
Temperature rating	-40 to 60°C

## MATERIAL SPECIFICATION

Connector body	Chloroprene Rubber
Bulkhead body	Brass(BR), stainless steel 316(SS), titanium(TI)
Contact	Gold plated brass
Socket	Beryllium copper
Coax bulkhead leads	RG316 Coax, 1cm
O-rings	NBR 2-015

All frequency and attenuation values are based on a 2 bulkhead connectors (50 ohm) with 1m tail.  
 The connector cannot take open face pressure.  
 Locking sleeves are necessary, but grease is NOT required.

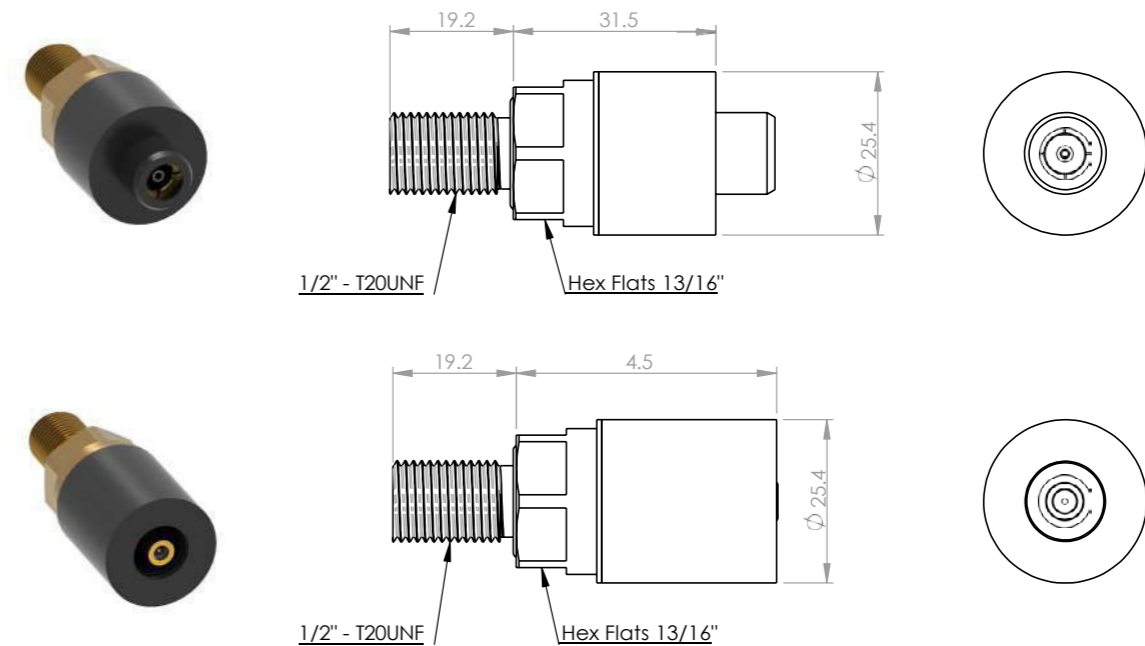
## COAX 5 OHM / BULKHEAD / MALE / CONTACT 1

Male	Contact	Inline	Dummy	Locking Sleeve
Order No.				
CX5BH1M	1	CX5IL1F	CX5DC1F	DLSAM

## COAX 5 OHM / BULKHEAD / FEMALE / CONTACT 1

Female	Contact	Inline	Dummy	Locking Sleeve
Order No.				
CX5BH1F	1	CX5IL1M	CX5DC1M	DLSAF

Dimensions in mm, Thread in inches



# Coax 50ohm / Inline Contact 1



## OPERATION SPECIFICATION

Max. voltage	300 V DC
Current rating @contact	5A
Max. current @connector	20A
Video types	Recommended SDI, HD-SDI, 3G-SDI and composite
Frequency*	0.3 GHz, 0.5 GHz, 1.0 GHz, 1.5 GHz, 2 GHz, 2.5 GHz, 3 GHz
Attenuation*	4.6 dB, 6.5 dB, 10.2 dB, 12.3 db, 16.3 dB, 18.5 dB, 20 dB
Max. frequency	3.0 GHz
Insulation resistance	>200 Mohm
Contact resistance	<0.01 ohm
Depth rating	600 bar
Temperature rating	-40 to 60°C

## MATERIAL SPECIFICATION

Connector Body	Chloroprene Rubber
Contact	Gold plated brass
Socket	Beryllium copper
Coax inline cable	HFCX5, 60cm

All frequency and attenuation values are based on a 2 bulkhead connectors (50 ohm) with 1m tail.  
 The connector cannot take open face pressure.  
 Locking sleeves are necessary, but grease is NOT required.

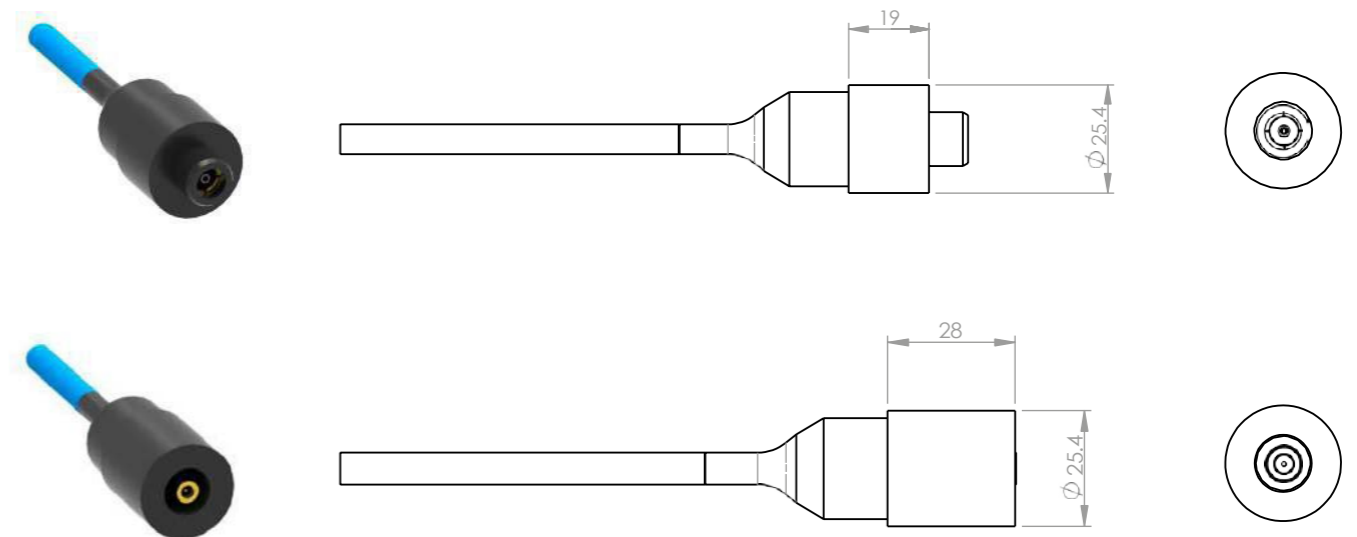
## COAX 5 OHM / INLINE / MALE / CONTACT 1

Male	Contact	Bulkhead	Dummy	Locking Sleeve
Order No.				
CX5IL1M	1	CX5BH1F	CX5DC1F	DLSAM

## COAX 5 OHM / INLINE / FEMALE / CONTACT 1

Female	Contact	Bulkhead	Dummy	Locking Sleeve
Order No.				
CX5IL1F	1	CX5BH1M	CX5DC1M	DLSAF

Dimensions in mm, Thread in inches



## Coax 50ohm / Dummy Contact 1



### MATERIAL SPECIFICATION

Connector body	Chloroprene rubber
Contact	Gold plated brass

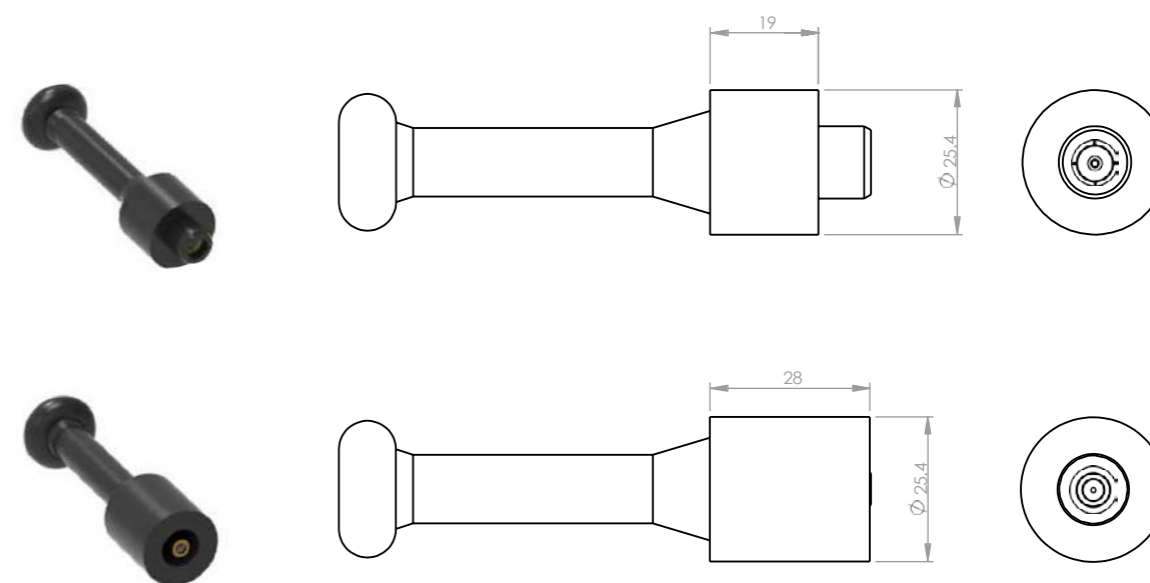
### COAX 5 OHM / DUMMY / MALE / CONTACT 1

Male	Contact	Bulkhead	Inline	Locking Sleeve
Order No.				
CX5DC1M	1	CX5BH1F	CX5IL1F	DLSAM

### COAX 5 OHM / DUMMY / FEMALE / CONTACT 1

Female	Contact	Bulkhead	Inline	Locking Sleeve
Order No.				
CX5DC1F	1	CX5BH1M	CX5IL1M	DLSAF

Dimensions in mm, Thread in inches



# Rubber Molded

A Inline  
G Inline  
K Inline  
Dummy



# Rubber Mold / A Inline Contact 1



### OPERATION SPECIFICATION

Max. voltage	600 V DC
Current rating @contact	10A
Insulation resistance	>200 Mohm
Contact resistance	<0.01 ohm
Wet matings	>500
Depth rating	600 bar
Temperature rating	-40 to 60°C

### MATERIAL SPECIFICATION

Connector body	Chloroprene rubber
Contact	Gold plated brass
Socket	Beryllium copper
Inline cable	AWG 18 Neoprene, 60cm

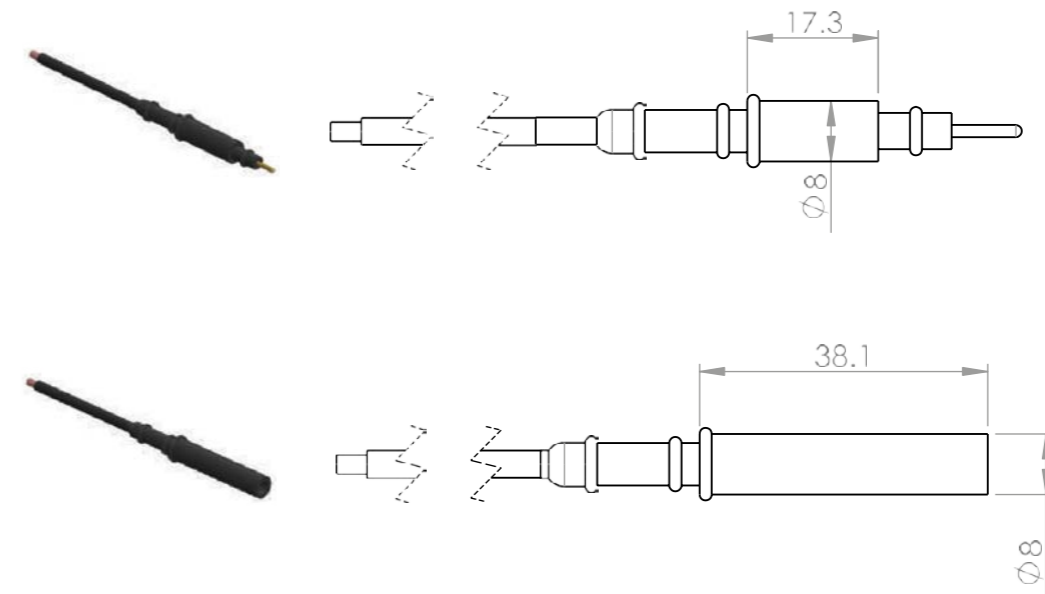
### RUBBER MOLDED / A INLINE / MALE / CONTACT 1

Male	Contact	Bulkhead	Dummy	Locking Sleeve
Order No.				
RMA1M	1	N/A	RMADC1F	RMALSM

### RUBBER MOLDED / A INLINE / FEMALE / CONTACT 1

Female	Contact	Bulkhead	Dummy	Locking Sleeve
Order No.				
RMA1F	1	N/A	RMADC1M	RMALSF

Dimensions in mm, Thread in inches



### FACE VIEW (MALE)

# Rubber Mold / G Inline Contact 2, 3, 4, 5



### OPERATION SPECIFICATION

Max. voltage	600 V DC
Current rating @contact	5A
Max. current @connector	20A
Insulation resistance	>200 Mohm
Contact resistance	<0.10 ohm
Wet mating	>500
Depth rating	600 bar
Temperature rating	-40 to 60°C

### MATERIAL SPECIFICATION

Connector body	Chloroprene rubber
Contact	Gold plated brass
Socket	Beryllium copper
Inline cable	AWG 18 Neoprene, 60cm

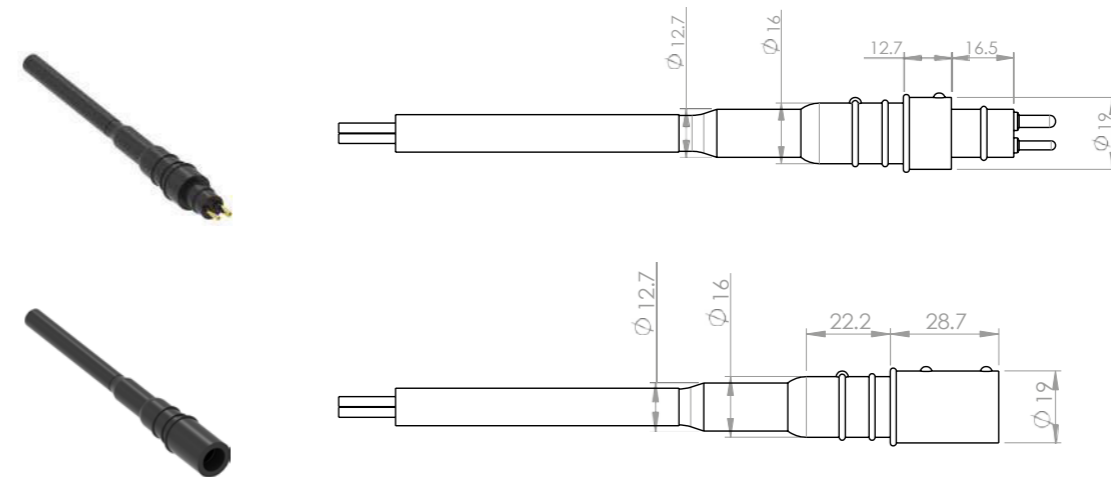
### RUBBER MOLDED / G INLINE / MALE / CONTACT 2,3,4

Male	Contact	Bulkhead	Dummy	Locking Sleeve
Order No.				
RMG2M	2	N/A	RMGDC2F	RMGLSM
RMG3M	3	N/A	RMGDC3F	RMGLSM
RMG4M	4	N/A	RMGDC4F	RMGLSM

### RUBBER MOLDED / G INLINE / FEMALE / CONTACT 2,3,4

Female	Contact	Bulkhead	Dummy	Locking Sleeve
Order No.				
RMG2F	2	N/A	RMGDC2M	RMGLSF
RMG3F	3	N/A	RMGDC3M	RMGLSF
RMG4F	4	N/A	RMGDC4M	RMGLSF

Dimensions in mm, Thread in inches



### FACE VIEW (MALE)



# Rubber Mold / K Inline Contact 5



### OPERATION SPECIFICATION

Max. voltage	600 V DC
Current rating @contact	10A
Max. current @connector	30A
Insulation resistance	>200 Mohm
Contact resistance	<0.01 ohm
Wet mating	>500
Depth rating	600 bar
Temperature rating	-40 to 60°C

### MATERIAL SPECIFICATION

Connector body	Chloroprene rubber
Contact	Gold plated brass
Socket	Beryllium copper
Inline cable	AWG 18 Neoprene, 60cm

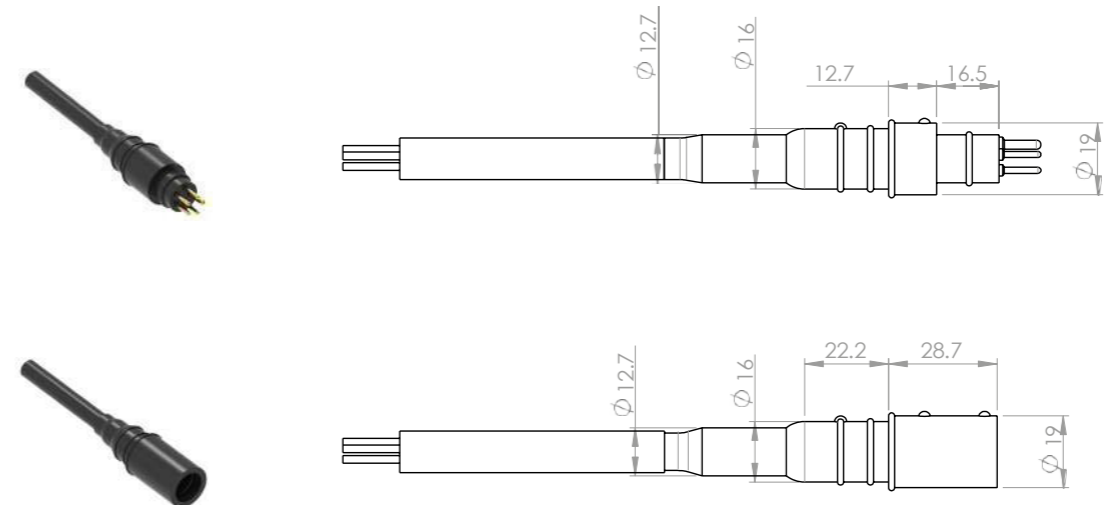
### RUBBER MOLDED / K INLINE / MALE / CONTACT 5

Male	Contact	Bulkhead	Dummy	Locking Sleeve
Order No.				
RMK5M	5	N/A	RMKDC5F	RMKLSM

### RUBBER MOLDED / K INLINE / FEMALE / CONTACT 5

Female	Contact	Bulkhead	Dummy	Locking Sleeve
Order No.				
RMK5F	5	N/A	RMKDC5M	RMKLSF

Dimensions in mm, Thread in inches



### FACE VIEW (MALE)



# Rubber Mold / Dummy Contact A, G, K



### MATERIAL SPECIFICATION

Connector Body	Chloroprene Rubber
Contact	Gold plated brass

### RUBBER MOLDED A / DUMMY / MALE / CONTACT 1

Male	Contact	Bulkhead	Inline	Locking Sleeve
Order No.				
RMADC1M	1	N/A	RMA1F	RMALSM

### RUBBER MOLDED A / DUMMY / FEMALE / CONTACT 1

Female	Contact	Bulkhead	Inline	Locking Sleeve
Order No.				
RMADC1F	1	N/A	RMA1M	RMALSF

### RUBBER MOLDED G / DUMMY / MALE / CONTACT 2,3,4,5

Male	Contact	Bulkhead	Inline	Locking Sleeve
Order No.				
RMGDC2M	2	N/A	RMG2F	RMGLSM
RMGDC3M	3	N/A	RMG3F	RMGLSM
RMGDC4M	4	N/A	RMG4F	RMGLSM
RMGDC5M	5	N/A	RMG5F	RMGLSM

### RUBBER MOLDED G / DUMMY / FEMALE / CONTACT 2,3,4,5

Female	Contact	Bulkhead	Inline	Locking Sleeve
Order No.				
RMGDC2F	2	N/A	RMG2M	RMGLSF
RMGDC3F	3	N/A	RMG3M	RMGLSF
RMGDC4F	4	N/A	RMG4M	RMGLSF
RMGDC5F	5	N/A	RMG5M	RMGLSF

### RUBBER MOLDED K / DUMMY / MALE / CONTACT 5

Male	Contact	Bulkhead	Inline	Locking Sleeve
Order No.				
RMKDC5M	5	N/A	RMK5F	RMKLSM

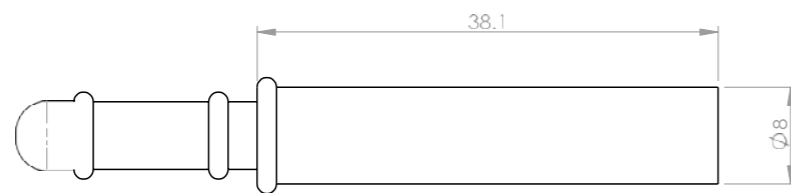
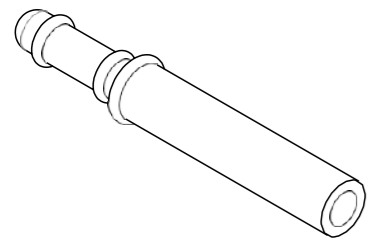
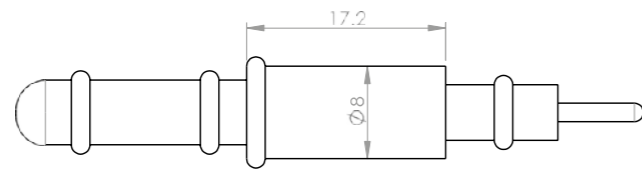
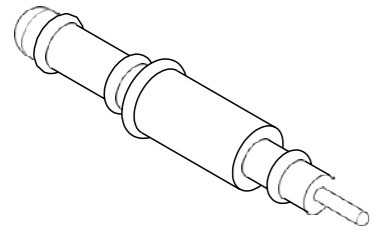
### RUBBER MOLDED K / DUMMY / FEMALE / CONTACT 5

Female	Contact	Bulkhead	Inline	Locking Sleeve
Order No.				
RMKDC5F	5	N/A	RMK5M	RMKLSF

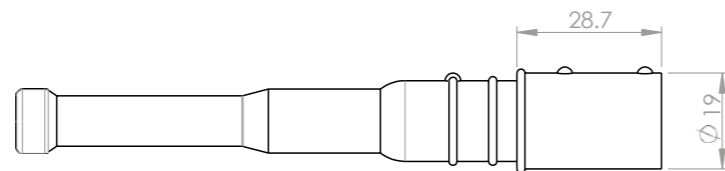
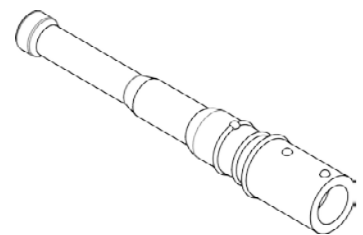
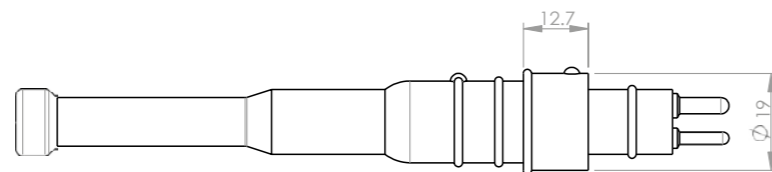
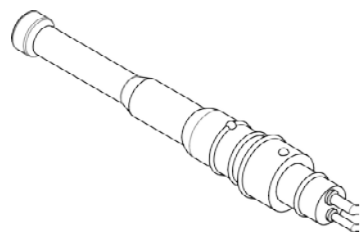
## Rubber Mold / Dummy

### Contact A

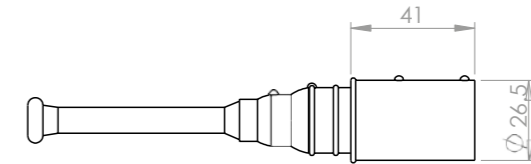
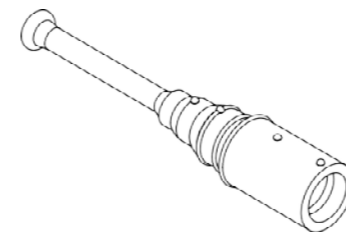
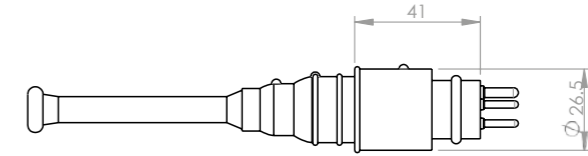
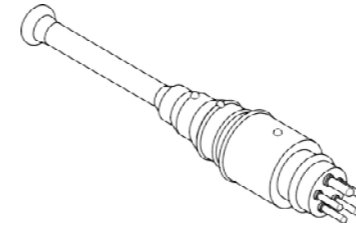
Dimensions in mm, Thread in inches



### Contact G



### Contact K



# Ethernet

## Ethernet

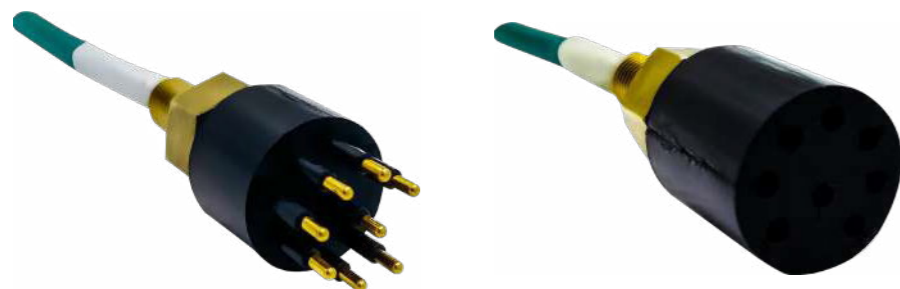
- Standard Circular Bulkhead
- Standard Circular Inline
- Standard Circular Dummy
- Micro Bulkhead
- Micro Inline
- Micro Circular Overmold
- Micro Circular Dummy

## Ethernet Power

- Micro Circular Bulkhead
- Micro Circular Inline
- Micro Circular Overmold
- Micro Circular Dummy
- Low Profile Bulkhead
- Low Profile Inline
- Power Low Profile Dummy
- Power Metal Shell 213 Flange



# Ethernet / Standard Circular Bulkhead Contact 8



## OPERATION SPECIFICATION

Max. voltage	250 V DC
Data rate	>1 Gbit/s
Insulation resistance	>200 Mohm
Contact resistance	<0.01 ohm
Wet matings	>500
Depth rating	600 bar
Temperature rating	-40 to 60°C

## MATERIAL SPECIFICATION

Connector body	Chloroprene rubber
Bulkhead body	Brass(BR), stainless steel 316(SS), titanium(TI), anodized aluminum(AL), PEEK(PE)
Contact	Gold plated brass
Socket	Beryllium copper
Bulkhead leads	CAT 5E, 4TWPx24AWG, 100cm
O-rings	NBR 2-014

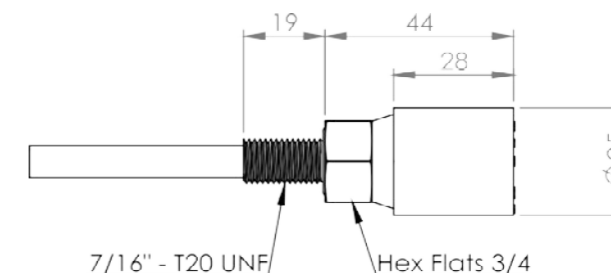
## ETHERNET / STANDARD CIRCULAR BULKHEAD / MALE\_CONTACT 8

Male	Contact	Inline	Dummy	Locking Sleeve
Order No.				
ETBH8M	8	ETIL8F	ETDC8F	DLSAM

## ETHERNET / STANDARD CIRCULAR BULKHEAD / FEMALE\_CONTACT 8

Female	Contact	Inline	Dummy	Locking Sleeve
Order No.				
ETBH8F	8	ETIL8M	ETDC8M	DLSAF

Dimensions in mm, Thread in inches

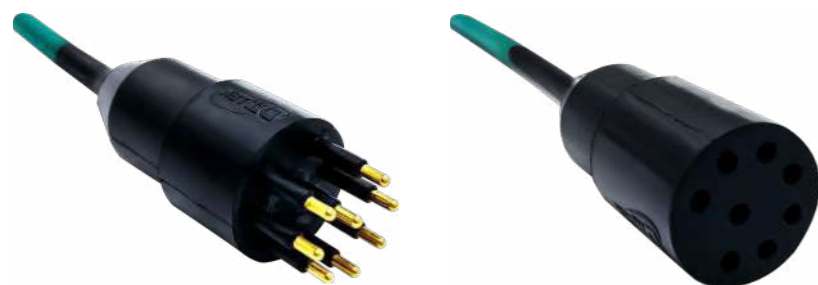


## FACE VIEW (MALE)



- 1-2 Brown White/Brown\*
- 3-4 Blue, White/Blue\*
- 5-6 Orange, White/Orange\*
- 7-8 Green, White/Green\*
- \* Twisted pairs

# Ethernet / Standard Circular Inline Contact 8



## OPERATION SPECIFICATION

Max. voltage	250 V DC/AC rms
Data rate	>1 Gbit/s
Insulation resistance	>200 Mohm
Contact resistance	<0.01 ohm
Wet matings	>500
Depth rating	600 bar
Temperature rating	-40 to 60°C

## MATERIAL SPECIFICATION

Connector body	Chloroprene rubber
Contact	Gold plated brass
Socket	Beryllium copper
Inline cable	CAT 5E, 4TWPx24AWG, 1000cm
O-rings	N/A

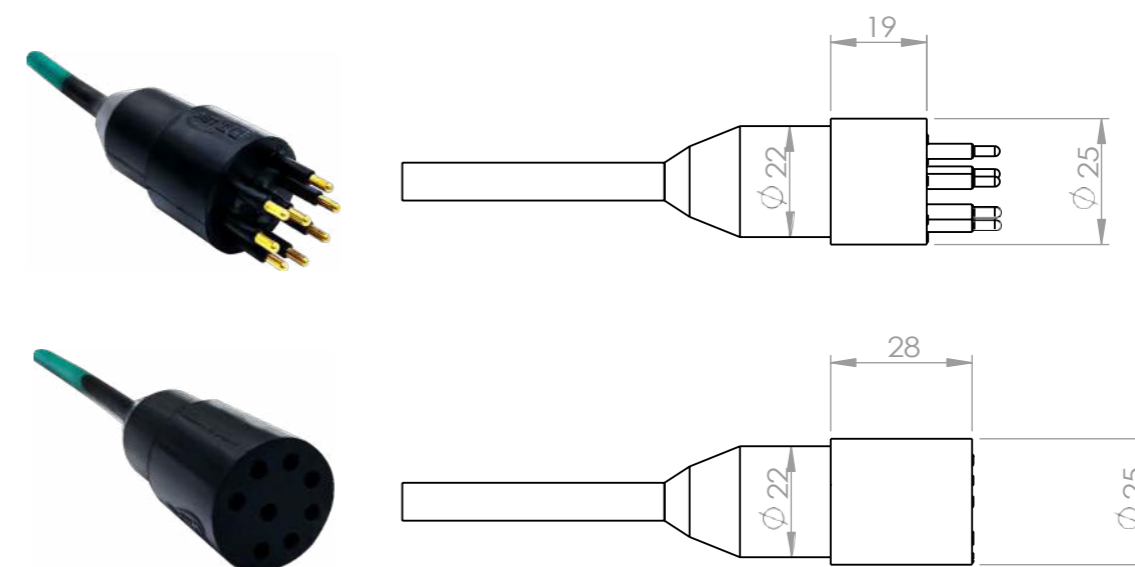
## ETHERNET / STANDARD CIRCULAR INLINE / MALE\_CONTACT 8

Male	Contact	Bulkhead	Dummy	Locking Sleeve
Order No.				
ETIL8M	8	ETBH8F	ETDC8F	DLSAM

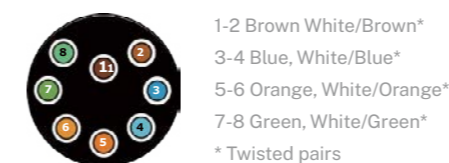
## ETHERNET / STANDARD CIRCULAR INLINE / FEMALE\_CONTACT 8

Female	Contact	Bulkhead	Dummy	Locking Sleeve
Order No.				
ETIL8F	8	ETBH8M	ETDC8M	DLSAF

Dimensions in mm, Thread in inches



## FACE VIEW (MALE)



# Ethernet / Standard Circular Dummy Contact 8



### OPERATION SPECIFICATION

Max. voltage	250 V DC/AC rms
Data rate	>1 Gbit/s
Insulation resistance	>200 Mohm
Contact resistance	<0.01 ohm
Wet matings	>500
Depth rating	600 bar
Temperature rating	-40 to 60°C

### MATERIAL SPECIFICATION

Connector body	Chloroprene rubber
Contact	Gold plated brass
Socket	Beryllium copper
Inline cable	CAT 5E, 4TWPx24AWG, 1000cm
O-rings	N/A

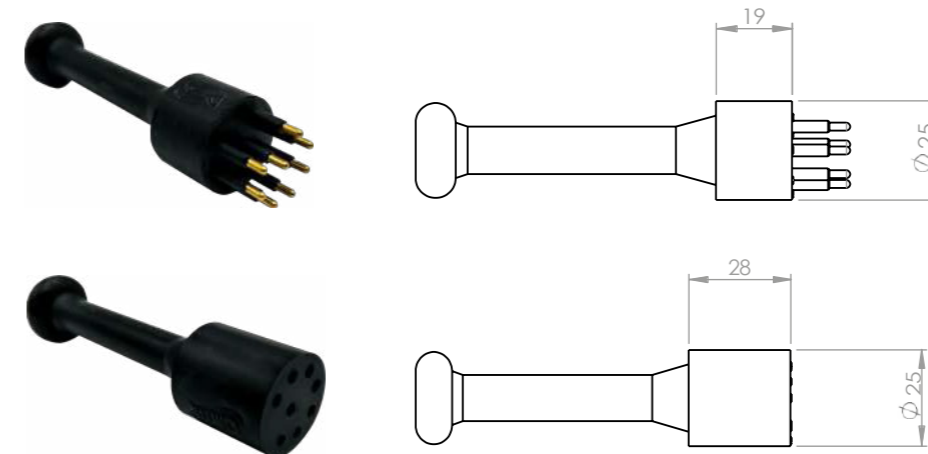
### ETHERNET / STANDARD CIRCULAR DUMMY / MALE\_CONTACT 8

Male	Contact	Bulkhead	Inline	Locking Sleeve
Order No.				
ETIL8M	8	ETBH8F	ETDC8F	DLSAM

### ETHERNET / STANDARD CIRCULAR DUMMY / FEMALE\_CONTACT 8

Female	Contact	Bulkhead	Inline	Locking Sleeve
Order No.				
ETDC8F	8	EBH8M	ETIL8M	DLSAF

Dimensions in mm, Thread in inches



# Ethernet / Micro Circular Bulkhead Contact 8



## OPERATION SPECIFICATION

Max. voltage	25V DC
Data rate	>1 Gbit/s
Insulation resistance	>200 Mohm
Contact resistance	<0.01 ohm
Wet matings	>500
Depth rating	600 bar
Temperature rating	-4 to 6°C

## MATERIAL SPECIFICATION

Connector body	Chloroprene rubber
Bulkhead body	Brass(BR), stainless steel 316(SS), anodized aluminum(AL), titanium(TI), PEEK(PE)
Contact	Gold plated brass
Socket	Beryllium copper
Bulkhead leads	CAT 5E patch cable, 100cm
O-rings	NBR-2-014

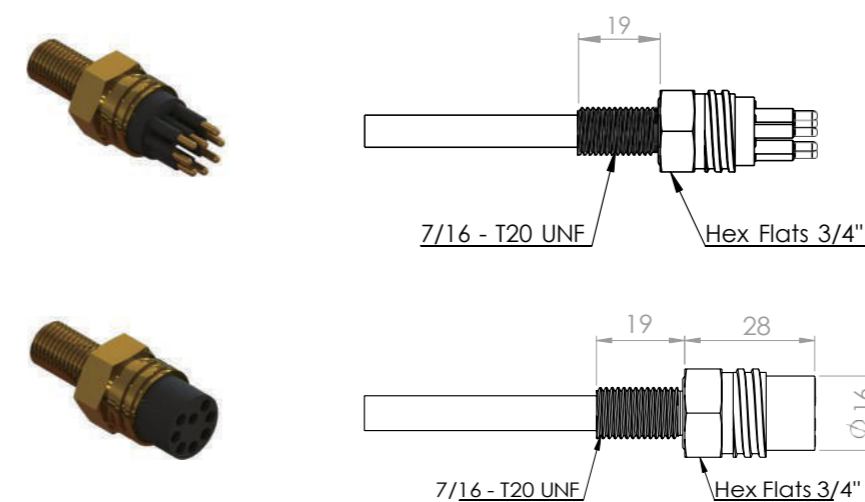
## ETHERNET / MICRO CIRCULAR BULKHEAD / MALE\_CONTACT 8

Male	Contact	Inline	Dummy	Locking Sleeve
Order No.				
ETMCBH8	8	ETMCIL8F	MCDC8F	MCLSF

## ETHERNET / MICRO CIRCULAR BULKHEAD / FEMALE\_CONTACT 8

Female	Contact	Inline	Dummy	Locking Sleeve
Order No.				
ETMCBH8F	8	ETMCIL8M	MCDC8M	MCLSF

Dimensions in mm, Thread in inches



## FACE VIEW (MALE)



- 1-2 Brown White/Brown\*
- 3-4 Blue, White/Blue\*
- 5-6 Orange, White/Orange\*
- 7-8 Green, White/Green\*
- \* Twisted pairs

# Ethernet / Micro Circular Inline Contact 8



## OPERATION SPECIFICATION

Max. voltage	250 V DC
Data rate	>1 Gbit/s
Insulation resistance	>200 Mohm
Contact resistance	<0.01 ohm
Wet mating	>500
Depth rating	600 bar
Temperature rating	-40 to 60°C

## MATERIAL SPECIFICATION

Connector body	Chloroprene rubber
Contact	Gold plated brass
Socket	Beryllium copper
Inline cable	4 twist pairs, AWG 24, 100cm
O-rings	N/A

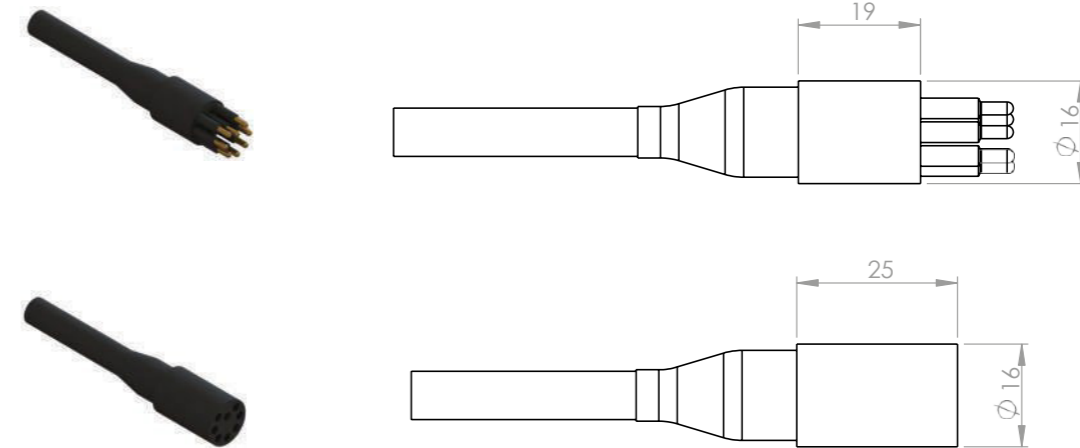
## ETHERNET / MICRO CIRCULAR INLINE / MALE\_CONTACT 8

Male	Contact	Bulkhead	Dummy	Locking Sleeve
Order No.				
ETMCIL8M	8	ETMCBH8F	MCDC8F	MCLSF

## ETHERNET / MICRO CIRCULAR INLINE / FEMALE\_CONTACT 8

Female	Contact	Bulkhead	Dummy	Locking Sleeve
Order No.				
ETMCIL8F	8	ETMCBH8M	MCDC8M	MCLSF

Dimensions in mm, Thread in inches



## FACE VIEW (MALE)



- 1-2 Brown White/Brown\*
- 3-4 Blue, White/Blue\*
- 5-6 Orange, White/Orange\*
- 7-8 Green, White/Green\*
- \* Twisted pairs

# Ethernet / Micro Circular Overmold Contact 8



## OPERATION SPECIFICATION

Max. voltage	250 V DC
Data rate	>1 Gbit/s
Insulation resistance	>200 Mohm
Contact resistance	<0.01 ohm
Wet matings	>500
Depth rating	600 bar
Temperature rating	-40 to 60°C

## MATERIAL SPECIFICATION

Connector body	Chloroprene rubber
Contact	Gold plated brass
Socket	Beryllium copper
OM leads	CAT 5E ,4 twisted pairs, AWG24, 100cm

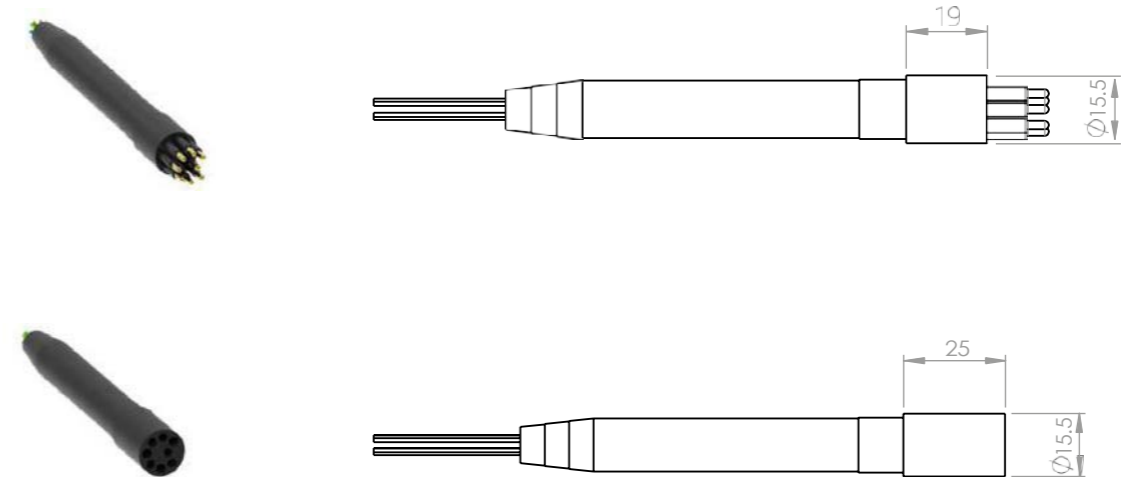
## ETHERNET / MICRO CIRCULAR OVERMOLD / MALE\_CONTACT 8

Male	Contact	Bulkhead	Dummy	Locking Sleeve
Order No.				
ETMCOM8M	8	ETMCBH8F	MCDC8F	MCLSF

## ETHERNET / MICRO CIRCULAR OVERMOLD / FEMALE\_CONTACT 8

Female	Contact	Bulkhead	Dummy	Locking Sleeve
Order No.				
ETMCOM8F	8	ETMCBH8M	MCDC8M	MCLSF

Dimensions in mm, Thread in inches



## FACE VIEW (MALE)



- 1-2 Brown White/Brown\*
- 3-4 Blue, White/Blue\*
- 5-6 Orange, White/Orange\*
- 7-8 Green, White/Green\*
- \* Twisted pairs

# Ethernet / Micro Circular Dummy Contact 8



## MATERIAL SPECIFICATION

Connector body	Chloroprene rubber
Contact	Gold plated brass

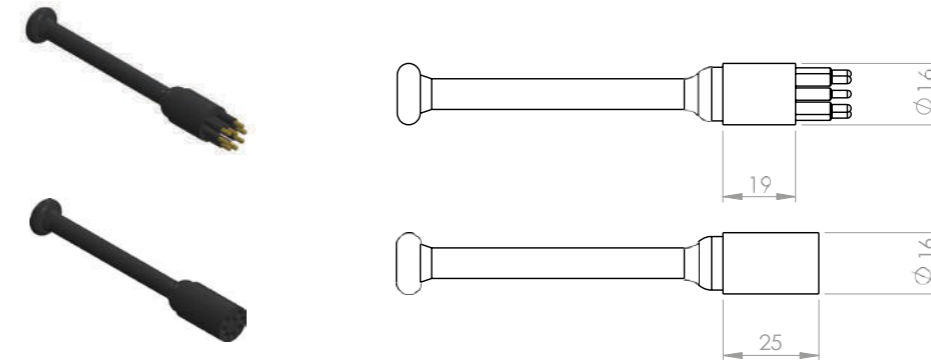
## ETHERNET / MICRO CIRCULAR DUMMY / MALE\_CONTACT 8

Male	Contact	Bulkhead	Inline	Locking Sleeve
Order No.				
MCDC8M	8	ETMCBH8F	ETMCIL8F	MCLSF

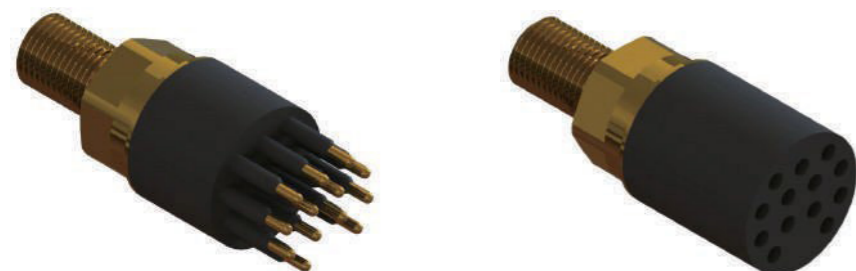
## ETHERNET / MICRO CIRCULAR DUMMY / FEMALE\_CONTACT 8

Female	Contact	Bulkhead	Inline	Locking Sleeve
Order No.				
MCDC8F	8	ETMCBH8M	ETMCIL8M	MCLSF

Dimensions in mm, Thread in inches



# Ethernet Power / Micro Circular Bulkhead Contact 13



## OPERATION SPECIFICATION

Voltage rating	600 V DC/AC rms
Voltage rating data wire	250 V DC/AC rms
Current rating power wire	4 A per contact (max 16 A per connector)
Data rate	>1 Gbit/s (up to 75m)
Insulation resistance	>200 Mohm
Contact resistance	<0.01 ohm
Wet mating	>500
Depth rating	600 bar
Temperature rating (water)	-4 to 6°C
Temperature rating (air)	-40 to 6°C

## MATERIAL SPECIFICATION

Connector body	Chloroprene rubber
Bulkhead body	Brass(BR), stainless steel 316(SS), anodized aluminum(AL), titanium(TI), PEEK(PE)
Contact	Gold plated brass
Socket	Beryllium copper
Bulkhead lead (100cm)	CAT 5E patch cable, 5 x 20AWG, with colored wires
O-rings	NBR 2-015

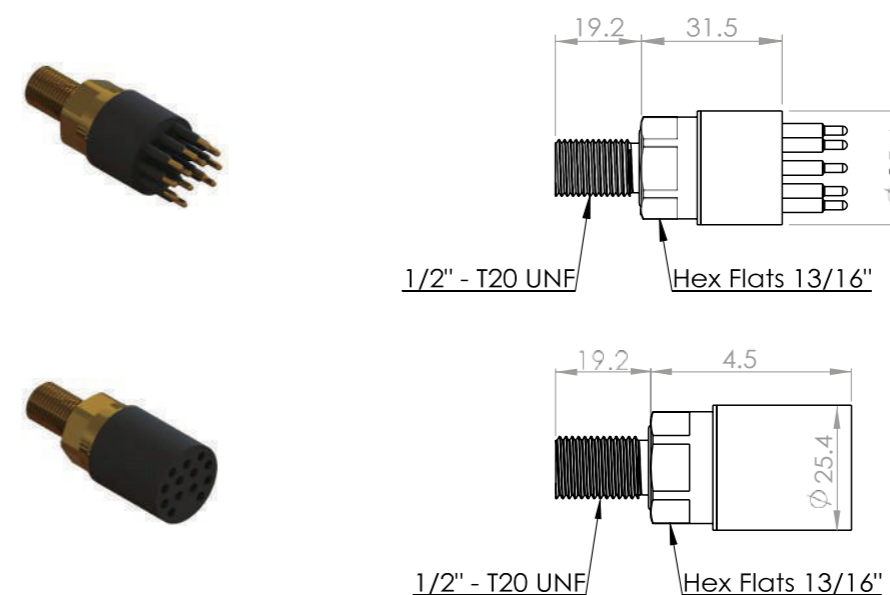
## ETHERNET POWER / MICRO CIRCULAR BULKHEAD / MALE / CONTACT 13

Male	Contact	Inline	Dummy	Locking Sleeve
Order No.				
ETMCBH13M	13	ETMCIL13F	ETMCDC13F	DLSAM

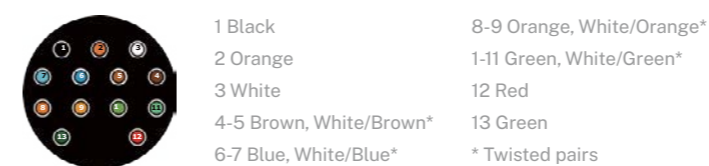
## ETHERNET POWER / MICRO CIRCULAR BULKHEAD / FEMALE / CONTACT 13

Female	Contact	Inline	Dummy	Locking Sleeve
Order No.				
ETMCBH13F	13	ETMCIL13M	ETMCDC13M	DLSAF

Dimensions in mm, Thread in inches



## FACE VIEW (MALE)



# Ethernet Power / Micro Circular Inline Contact 13



## OPERATION SPECIFICATION

Voltage rating	600 V DC/AC rms
Voltage rating data wire	250 V DC/AC rms
Current rating power wire	4 A per contact (max 16 A per connector)
Data rate	>1 Gbit/s (up to 75m)
Insulation resistance	>200 Mohm
Contact resistance	<0.01 ohm
Wet mating	>500
Depth rating	600 bar
Temperature rating (water)	-4 to 60°C
Temperature rating (air)	-40 to 60°C

## MATERIAL SPECIFICATION

Connector body	Chloroprene rubber
Contact	Gold plated brass
Socket	Beryllium copper
Inline cable	4 twisted pairs, AWG 24, 100cm power conductors x 4, AWG 18 screen: tinned copper braid
O-rings	N/A

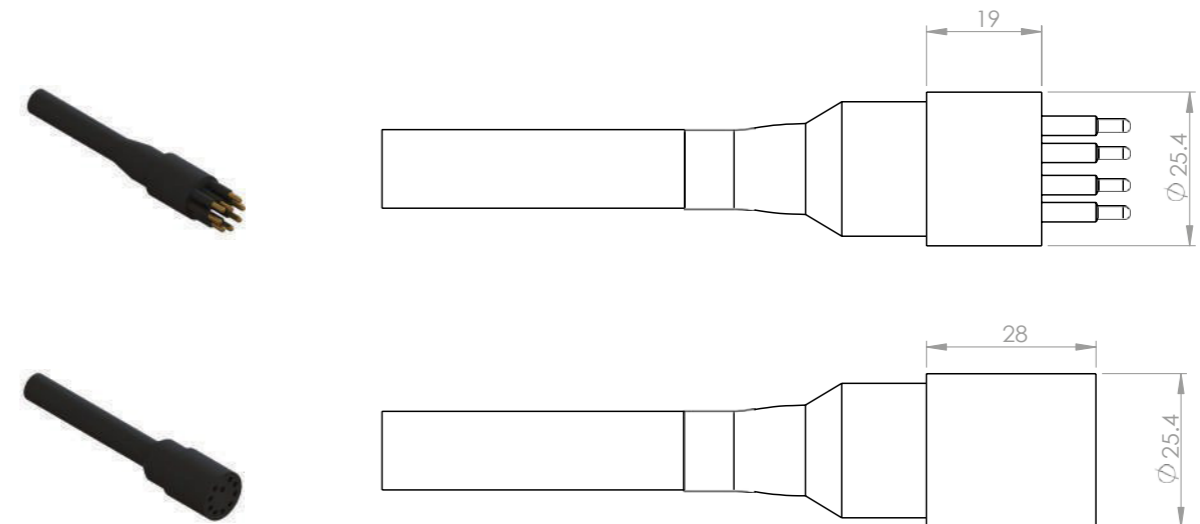
## ETHERNET POWER / MICRO CIRCULAR INLINE / MALE / CONTACT 13

Male	Contact	Bulkhead	Dummy	Locking Sleeve
Order No.				
ETMCIL13M	13	ETMCBH13F	ETMCDC13F	DLSAM

## ETHERNET POWER / MICRO CIRCULAR INLINE / FEMALE / CONTACT 13

Female	Contact	Bulkhead	Dummy	Locking Sleeve
Order No.				
ETMCIL13F	13	ETMCBH13M	ETMCDC13M	DLSAF

Dimensions in mm, Thread in inches

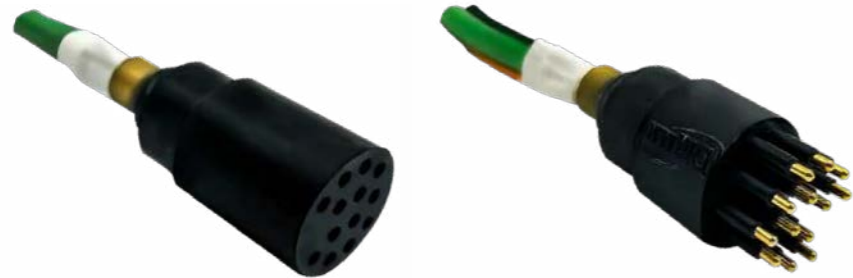


## FACE VIEW (MALE)



- 1 Black
- 2 Orange
- 3 White
- 4-5 Brown, White/Brown\*
- 6-7 Blue, White/Blue\*
- 8-9 Orange, White/Orange\*
- 1-11 Green, White/Green\*
- 12 Red
- 13 Green
- \* Twisted pairs

# Ethernet Power / Micro Circular Overmold Contact 13



## OPERATION SPECIFICATION

Voltage rating	600 V DC/AC rms
Voltage rating data wire	250 V DC/AC rms
Current rating power wire	4A per contact(max 16 A per connector)
Data rate	>1 Gbit/s (up to 75m)
Insulation resistance	>200 Mohm
Contact resistance	<0.01 ohm
Wet matings	>500
Depth rating	600 bar
Temperature rating (water)	-40 to 60°C
Temperature rating (air)	-40 to 60°C

## MATERIAL SPECIFICATION

Connector body	Chloroprene rubber
OM body	Brass
Contact	Gold plated brass
Socket	Beryllium copper
Location pin	N/A
OM leads	CAT 5E, 4TWP, AWG24 with colored 4x20AWG wires, 10cm

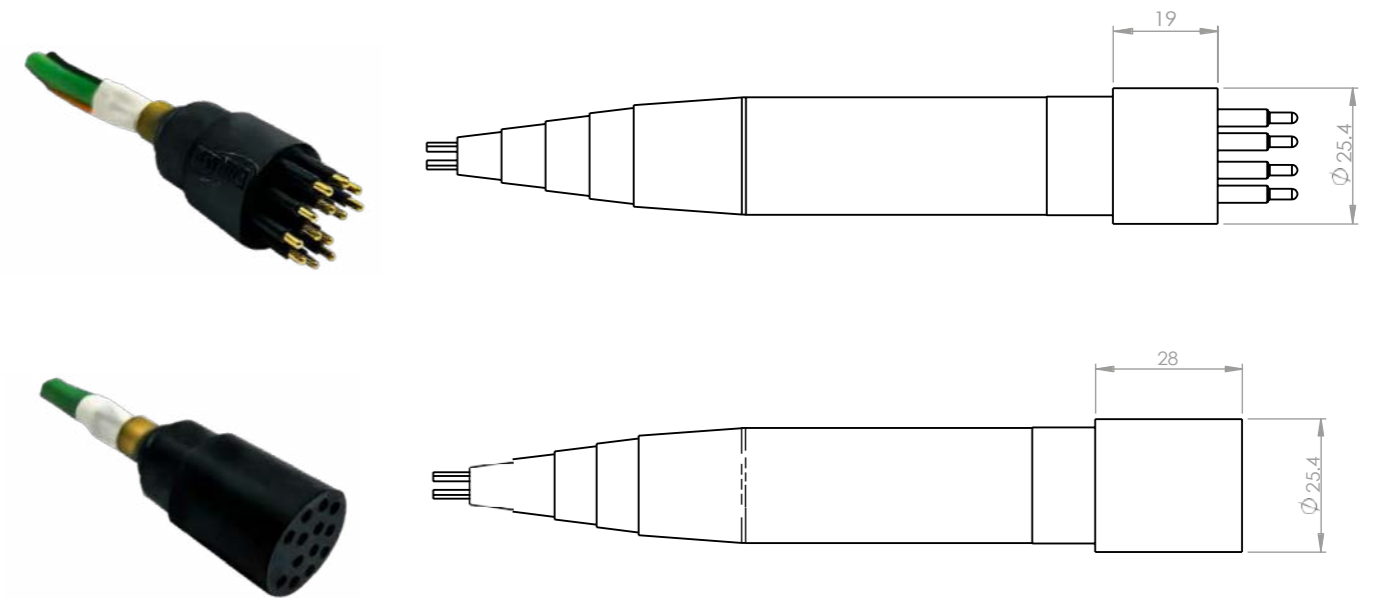
## ETHERNET POWER / MICRO CIRCULAR OVERMOLD / MALE / CONTACT 13

Male	Contact	Bulkhead	Dummy	Locking Sleeve
Order No.				
ETMCOM13M	13	ETMCBH13F	ETMCDC13F	DLSAM

## ETHERNET POWER / MICRO CIRCULAR OVERMOLD / FEMALE / CONTACT 13

Female	Contact	Bulkhead	Dummy	Locking Sleeve
Order No.				
ETMCOM13F	13	ETMCBH13M	ETMCDC13M	DLSAF

Dimensions in mm, Thread in inches



## FACE VIEW (MALE)



- 1 Black
- 2 Orange
- 3 White
- 4-5 Brown, White/Brown\*
- 6-7 Blue, White/Blue\*
- 8-9 Orange, White/Orange\*
- 1-11 Green, White/Green\*
- 12 Red
- 13 Green
- \* Twisted pairs

# Ethernet Power / Micro Circular Dummy Contact 13



## MATERIAL SPECIFICATION

Connector body	Chloroprene rubber
Contact	Gold plated brass

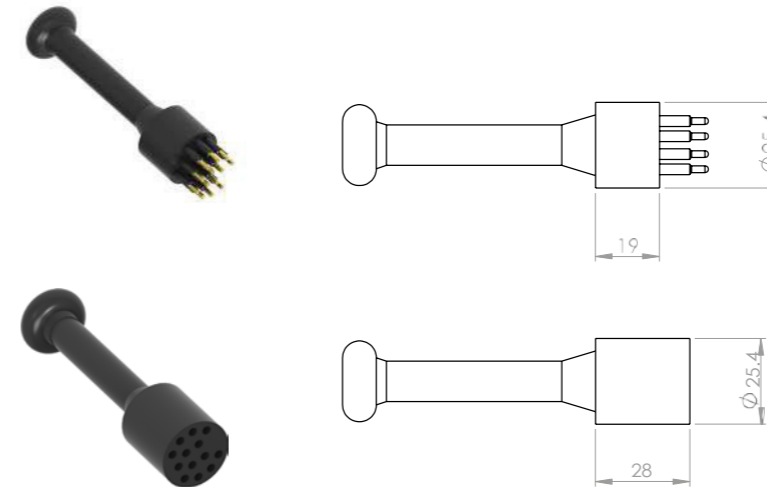
## ETHERNET POWER / MICRO CIRCULAR DUMMY / MALE / CONTACT 13

Male	Contact	Bulkhead	Inline	Locking Sleeve
Order No.				
ETMCDC13M	13	ETMCBH13F	ETMCIL13F	DLSAM

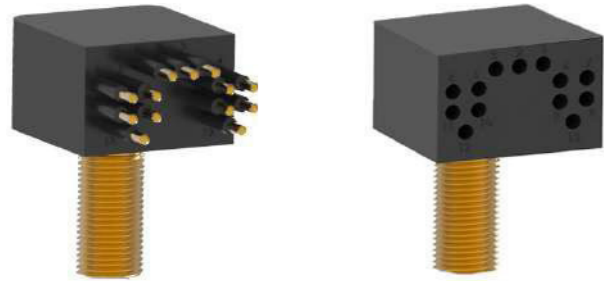
## ETHERNET POWER / MICRO CIRCULAR DUMMY / FEMALE / CONTACT 13

Female	Contact	Bulkhead	Inline	Locking Sleeve
Order No.				
ETMCDC13F	13	ETMCBH13M	ETMCIL13M	DLSAF

Dimensions in mm, Thread in inches



# Ethernet Power / Low Profile Bulkhead Contact 13



## OPERATION SPECIFICATION

Voltage rating	600 V DC/AC rms
Voltage rating data wire	250 V DC/AC rms
Current rating power wire	4 A per contact ( max 16A per connector )
Data rate	>1 Gbit/s (up to 75m)
Insulation resistance	>200 Mohm
Contact resistance	<0.01 ohm
Wet mating	>500
Depth rating	600 bar
Temperature rating (water)	-40 to 60°C
Temperature rating (air)	-40 to 60°C

## MATERIAL SPECIFICATION

Connector body	Chloroprene rubber
Bulkhead body	Brass(BR), stainless steel 316(SS), titanium(TI)
Contact	Gold plated brass
Socket	Beryllium copper
Bulkhead leads (100cm)	CAT 5E patch cable, 5 x 20AWG, 0.52mm <sup>2</sup> with colored wires
O-rings	NBR 2-015

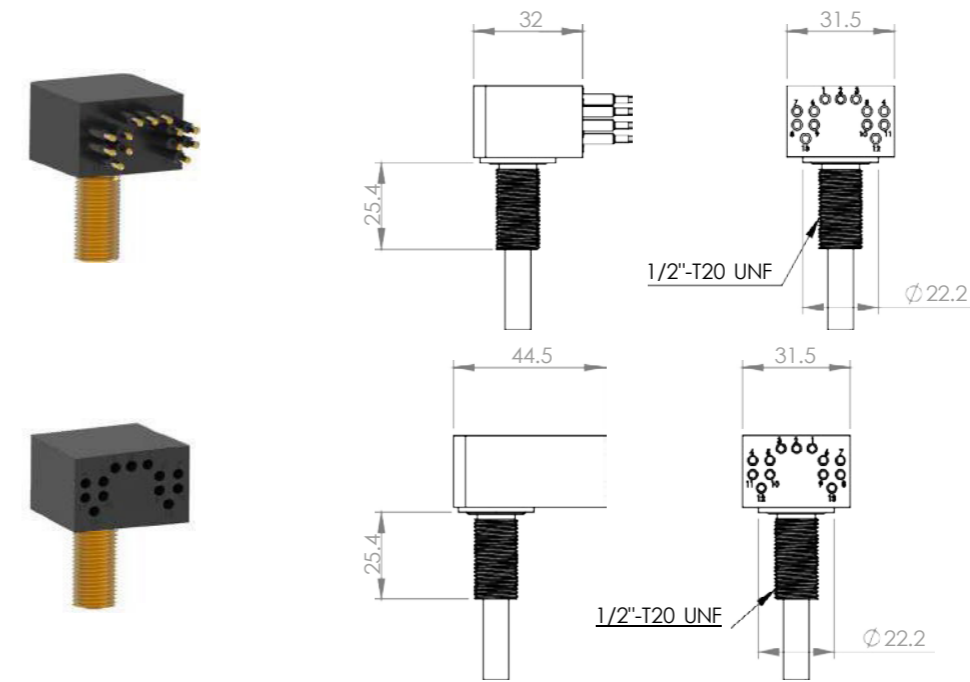
## ETHERNET POWER / LOW PROFILE BULKHEAD / MALE / CONTACT 13

Male	Contact	Inline	Dummy	Locking Sleeve
Order No.				
ETLPBH13M	13	ETLPIL13F	ETLPDC13F	LPSTB

## ETHERNET POWER / LOW PROFILE BULKHEAD / FEMALE / CONTACT 13

Female	Contact	Inline	Dummy	Locking Sleeve
Order No.				
ETLPBH13F	13	ETLPIL13M	ETLPDC13M	LPSTB

Dimensions in mm, Thread in inches

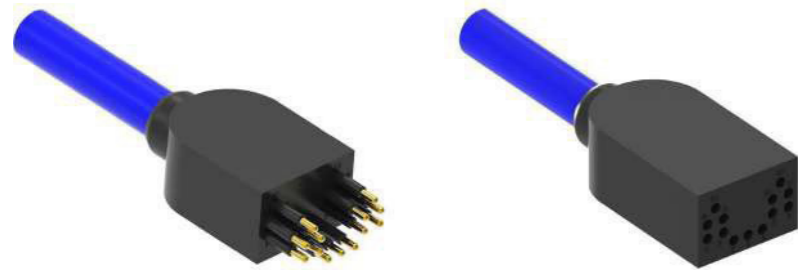


## FACE VIEW (MALE)



- |                         |                           |
|-------------------------|---------------------------|
| 1 Black                 | 8-9 Orange, White/Orange* |
| 2 Orange                | 1-11 Green, White/Green*  |
| 3 White                 | 12 Red                    |
| 4-5 Brown, White/Brown* | 13 Green                  |
| 6-7 Blue, White/Blue*   | * Twisted pairs           |

# Ethernet Power / Low Profile Inline Contact 13



## OPERATION SPECIFICATION

Voltage rating	600 V DC/AC rms
Voltage rating data wire	250 V DC/AC rms
Data rate	>1 Gbit/s (up to 75m)
Insulation resistance	>200 Mohm
Contact resistance	<0.01 ohm
Wet mating	>500
Depth rating	600 bar
Temperature rating (water)	-40 to 60°C
Temperature rating (air)	-40 to 60°C

## MATERIAL SPECIFICATION

Connector body	Chloroprene rubber
Contact	Gold plated brass
Socket	Beryllium copper
Inline cable	4 twist pairs, AWG 24, 10cm power conductors x 4, AWG 18 screen: tinned copper braid
O-rings	N/A

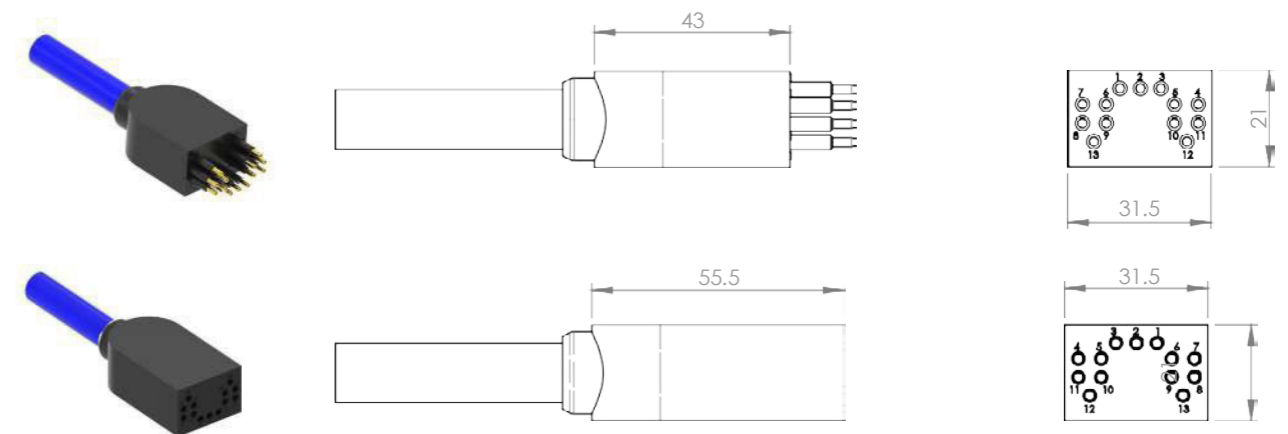
## ETHERNET POWER / LOW PROFILE INLINE / MALE / CONTACT 13

Male	Contact	Bulkhead	Dummy	Locking Sleeve
Order No.				
ETLPIL13M	13	ETLPBH13F	ETLPDC13F	LPSTB

## ETHERNET POWER / LOW PROFILE INLINE / FEMALE / CONTACT 13

Female	Contact	Bulkhead	Dummy	Locking Sleeve
Order No.				
ETLPIL13F	13	ETLPBH13M	ETLPDC13M	LPSTB

Dimensions in mm, Thread in inches

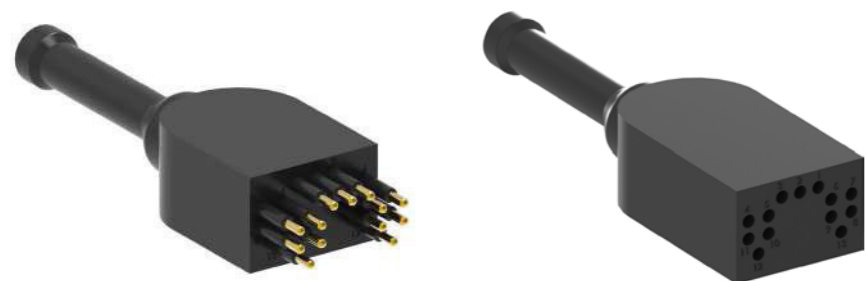


## FACE VIEW (MALE)



- |                         |                           |
|-------------------------|---------------------------|
| 1 Black                 | 8-9 Orange, White/Orange* |
| 2 Orange                | 1-11 Green, White/Green*  |
| 3 White                 | 12 Red                    |
| 4-5 Brown, White/Brown* | 13 Green                  |
| 6-7 Blue, White/Blue*   | * Twisted pairs           |

# Ethernet Power / Low Profile Dummy Contact 13



## MATERIAL SPECIFICATION

Connector body	Chloroprene rubber
Contact	Gold plated brass

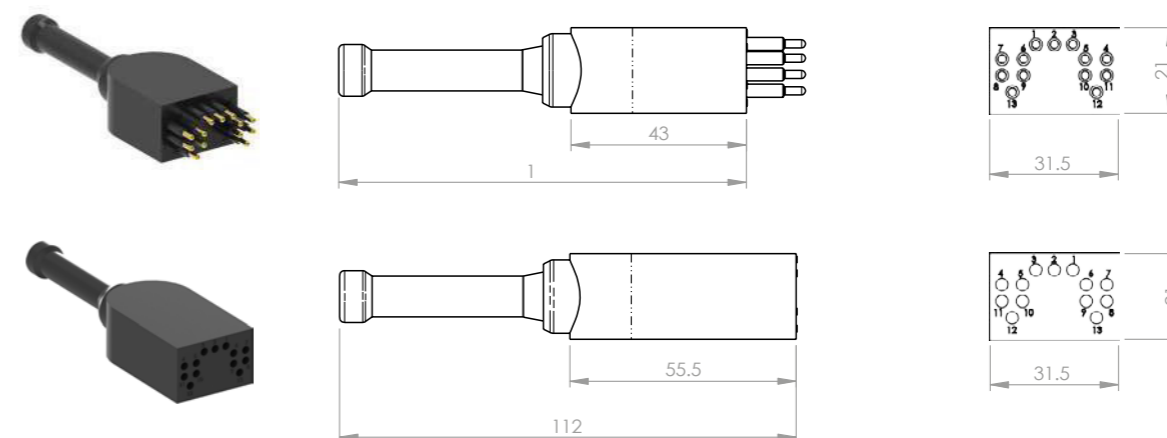
## ETHERNET POWER / LOW PROFILE DUMMY / MALE / CONTACT 13

Male	Contact	Bulkhead	Inline	Locking Sleeve
Order No.				
ETLPDC13M	13	ETLPBH13F	ETLPIL13F	LPSTB

## ETHERNET POWER / LOW PROFILE DUMMY / FEMALE / CONTACT 13

Female	Contact	Bulkhead	Inline	Locking Sleeve
Order No.				
ETLPDC13F	13	ETLPBH13M	ETLPIL13M	LPSTB

Dimensions in mm, Thread in inches



# Ethernet Power / Metal Shell 213 Flange Contact 13



## OPERATION SPECIFICATION

Voltage rating	600 V DC/AC rms
Voltage rating data wire	250 V DC/AC rms
Current rating power wire	4 A per contact (max 16 A per connector)
Data rate	>1 Gbit/s (up to 75m)
Insulation resistance	>200 Mohm
Contact resistance	<0.01 ohm
Wet mating	>500
Depth rating	600 bar
Temperature rating (water)	-40 to 60°C

## MATERIAL SPECIFICATION

Connector body	Chloroprene rubber
Bulkhead body	Stainless steel 316(SS)
Contact	Gold plated brass
Socket	Beryllium copper
Bulkhead leads (1cm )	CAT 5E patch cable, 5 x 20AWG, with colored wires
O-rings	AS-016, AS-119, NBR 2-016, NBR 2-119

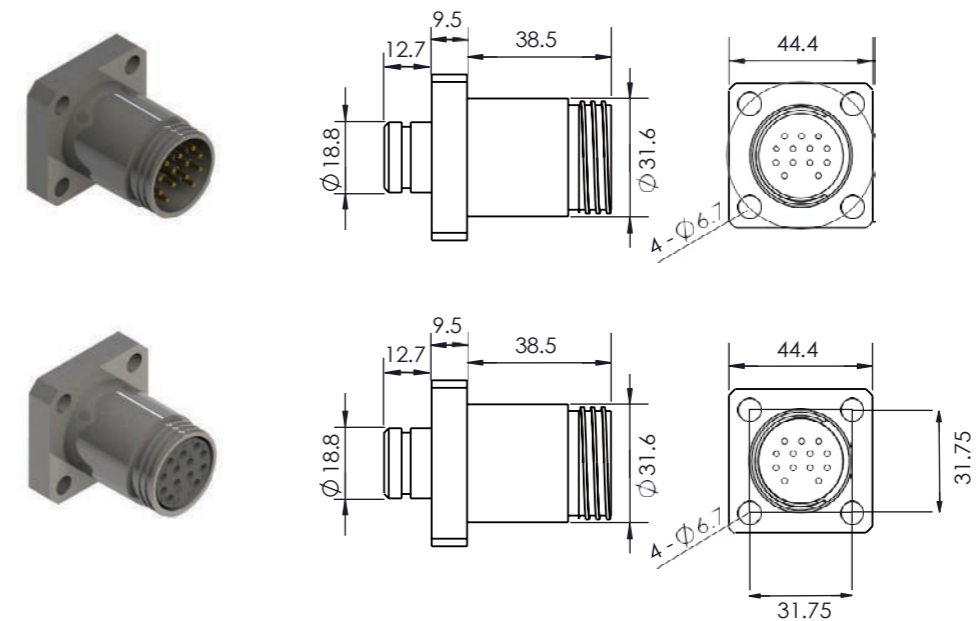
## ETHERNET / METAL SHELL 213 FLANGE / MALE / CONTACT 13

Male	Contact	Inline	Dummy	Locking Sleeve
Order No.				
ETMSFR13M	13	ETMCIL13F	ETMCDC13F	MS2LSF

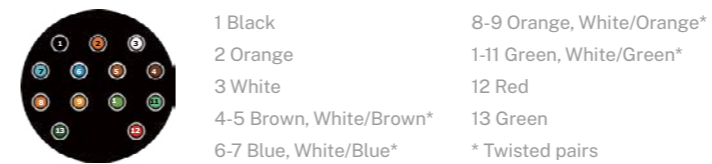
## ETHERNET / METAL SHELL 213 FLANGE / FEMALE / CONTACT 13

Female	Contact	Inline	Dummy	Locking Sleeve
Order No.				
ETMSFR13F	13	ETMCIL13M	ETMCDC13M	MS2LSF

Dimensions in mm, Thread in inches



## FACE VIEW (MALE)



# IE8

---

Bulkhead  
Inline  
Dummy



# IE8 / Bulkhead

## Contact 4 Pin (8 Contacts)



### OPERATION SPECIFICATION

Max. voltage	300 V DC
Current rating @contact	7A
Max. current @connector	50A
Insulation resistance	>200 Mohm
Contact resistance	<0.01 ohm
Wet matings	>500 00 cycles
Depth rating	600 bar
Temperature rating	-40 to 60°C

### MATERIAL SPECIFICATION

Connector body	Chloroprene rubber
Bulkhead body	Brass(BR)
Contact	Gold plated brass
Socket	Beryllium copper
Location pin	Stainless steel 316
Bulkhead leads	AWG 18 PTFE, 30cm
O-rings	NBR 2-017

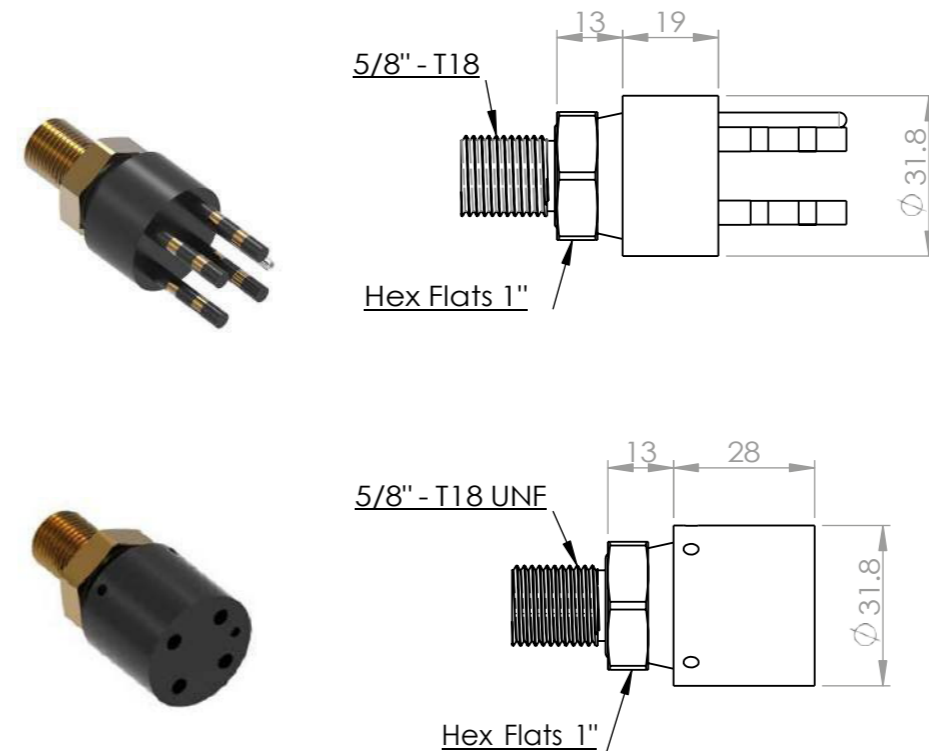
### IE8 / BULKHEAD / MALE / CONTACT 4

Male	Contact	Inline	Dummy	Locking Sleeve
Order No.				
IE8BH4M	4 Pin (8 Contacts)	IE8IL4F	IE8DC4F	IE8LSM

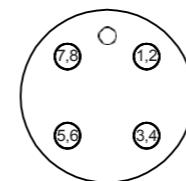
### IE8 / BULKHEAD / FEMALE / CONTACT 4

Female	Contact	Inline	Dummy	Locking Sleeve
Order No.				
IE8BH4F	4 Pin (8 Contacts)	IE8IL4M	IE8DC4M	IE8LSF

Dimensions in mm, Thread in inches



### FACE VIEW (MALE)



## IE8 / Inline Contact 4 Pin (8 Contacts)



### OPERATION SPECIFICATION

Max. voltage	300 V DC
Current rating @contact	7A
Max. current @connector	50A
Insulation resistance	>200 Mohm
Contact resistance	<0.01 ohm
Wet matings	>500
Depth rating	600 bar
Temperature rating	-40 to 60°C

### MATERIAL SPECIFICATION

Connector body	Chloroprene rubber
Contact	Gold plated brass
Socket	Beryllium copper
Location pin	Stainless steel 316
Inline cable	AWG 18 Neoprene, 60cm

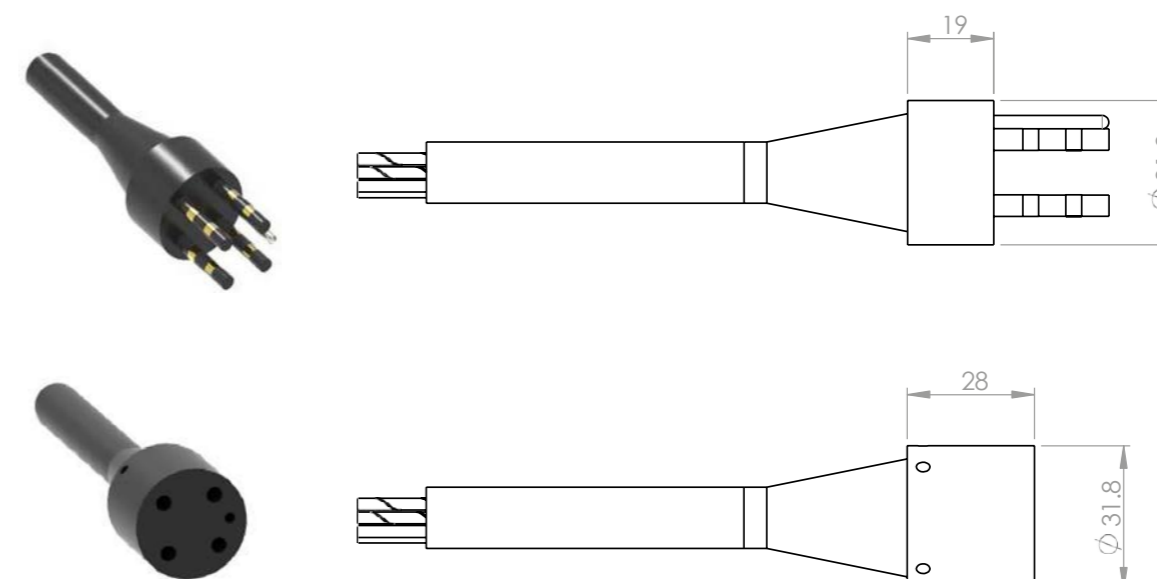
### IE8 / INLINE / MALE / CONTACT 4

Male	Contact	Bulkhead	Dummy	Locking Sleeve
Order No.				
IE8IL4M	4 Pin (8 Contacts)	IE8BH4F	IE8DC4F	IE8LSM

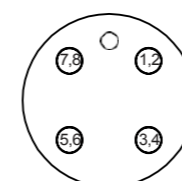
### IE8 / INLINE / FEMALE / CONTACT 4

Female	Contact	Bulkhead	Dummy	Locking Sleeve
Order No.				
IE8IL4F	4 Pin (8 Contacts)	IE8BH4M	IE8DC4M	IE8LSF

Dimensions in mm, Thread in inches



### FACE VIEW (MALE)



## IE8 / Dummy Contact 4 Pin (8 Contacts)



### MATERIAL SPECIFICATION

Connector body	Chloroprene rubber
Contact	Gold plated brass
Socket	N/A
Location pin	Stainless steel

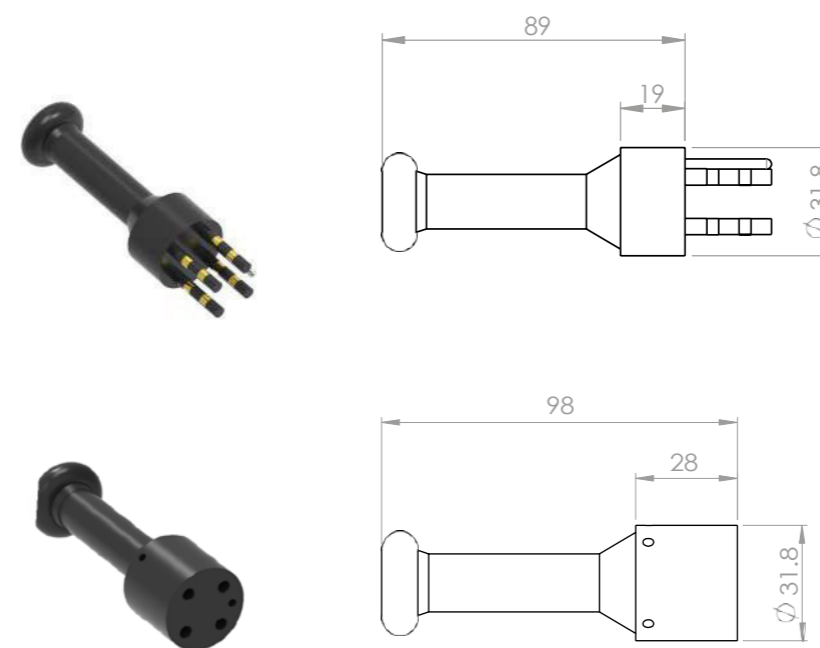
### IE8 / DUMMY / MALE / CONTACT 4

Male	Contact	Bulkhead	Inline	Locking Sleeve
Order No.				
IE8DC4M	4 Pin (8 Contacts)	IE8BH4F	IE8IL4F	IE8LSM

### IE8 / DUMMY / FEMALE / CONTACT 4

Female	Contact	Bulkhead	Inline	Locking Sleeve
Order No.				
IE8DC4F	4 Pin (8 Contacts)	IE8BH4M	IE8IL4M	IE8LSF

Dimensions in mm, Thread in inches



# Wet Metal Shell

15 Flange Bulkhead

15 Hex Bulkhead

2 Flange Bulkhead



# Metal Shell 15 / Flange Bulkhead

## Contact 2, 3, 4, 5, 6, 8



### OPERATION SPECIFICATION

Max. voltage	300 V DC
Current rating @contact	2,3,4 contacts 10A 5,6,8 contacts 5A
Max. current @connector	20A
Insulation resistance	>200 Mohm
Contact resistance	<0.01 ohm
Wet matings	>500
Depth rating	600 bar
Temperature rating	-40 to 60°C

### MATERIAL SPECIFICATION

Connector body	Chloroprene rubber
Bulkhead body	Brass(BR), stainless steel 316(SS)
Contact	Gold plated brass
Socket	Beryllium copper
Location pin	Stainless steel 316
Inline cable	2,3,4 contacts AWG 18 PTFE, 30cm 5,6,8 contacts AWG 2 PTFE, 30cm

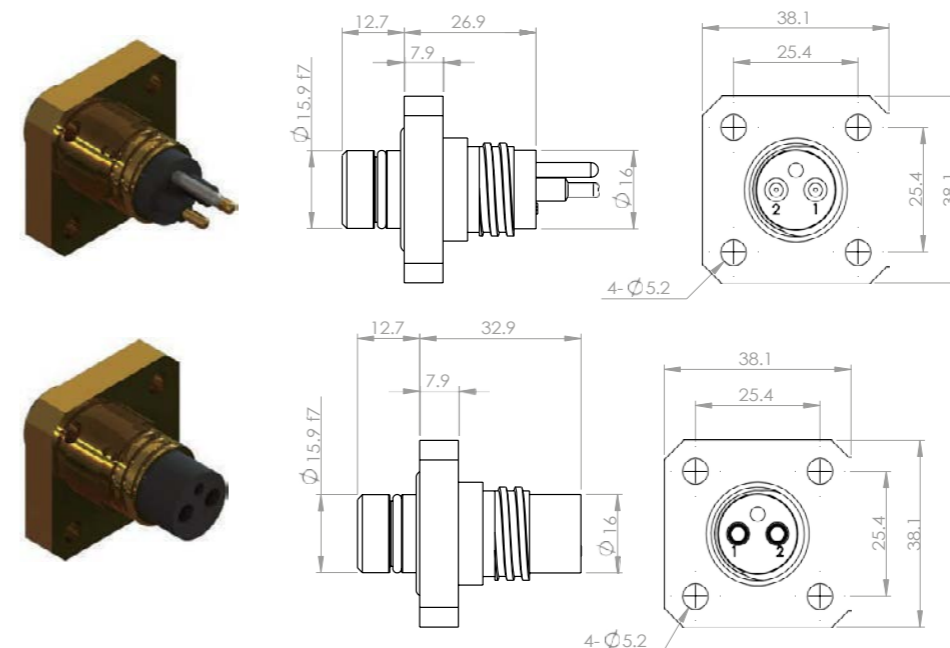
### METAL SHELL 15 / FLANGE BULKHEAD / MALE / CONTACT 2,3,4,5,6,8

Male	Contact	Inline	Dummy	Locking Sleeve
Order No.				
MS15FG2M	2	MCIL2F	MCDC2F	N/A
MS15FG3M	3	MCIL3F	MCDC3F	N/A
MS15FG4M	4	MCIL4F	MCDC4F	N/A
MS15FG5M	5	MCIL5F	MCDC5F	N/A
MS15FG6M	6	MCIL6F	MCDC6F	N/A
MS15FG8M	8	MCIL8F	MCDC8F	N/A

### METAL SHELL 15 / FLANGE BULKHEAD / FEMALE / CONTACT 2,3,4,5,6,8

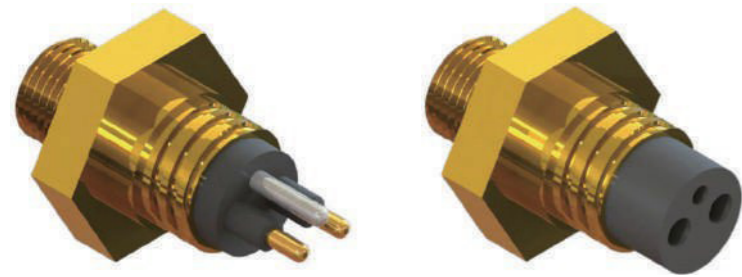
Female	Contact	Inline	Dummy	Locking Sleeve
Order No.				
MS15FG2F	2	MCIL2M	MCDC2M	N/A
MS15FG3F	3	MCIL3M	MCDC3M	N/A
MS15FG4F	4	MCIL4M	MCDC4M	N/A
MS15FG5F	5	MCIL5M	MCDC5M	N/A
MS15FG6F	6	MCIL6M	MCDC6M	N/A
MS15FG8F	8	MCIL8M	MCDC8M	N/A

Dimensions in mm, Thread in inches



# Metal Shell 15 / Hex Bulkhead

## Contact 2, 3, 4, 5, 6, 8



### OPERATION SPECIFICATION

Max. voltage	300 V DC
Current rating @contact	2,3,4 contacts 10A 5,6,8 contacts 5A
Max. current @connector	20A
Insulation resistance	>200 Mohm
Contact resistance	<0.01 ohm
Wet matings	>500
Depth rating	600 bar
Temperature rating	-40 to 60°C

### MATERIAL SPECIFICATION

Connector body	Chloroprene rubber
Bulkhead body	Brass(BR), stainless steel 316(SS)
Contact	Gold plated brass
Socket	Beryllium copper
Location pin	Stainless steel 316
Inline cable	2,3,4 contacts AWG 18 PTFE, 30cm 5,6,8 contacts AWG 20 PTFE, 30cm

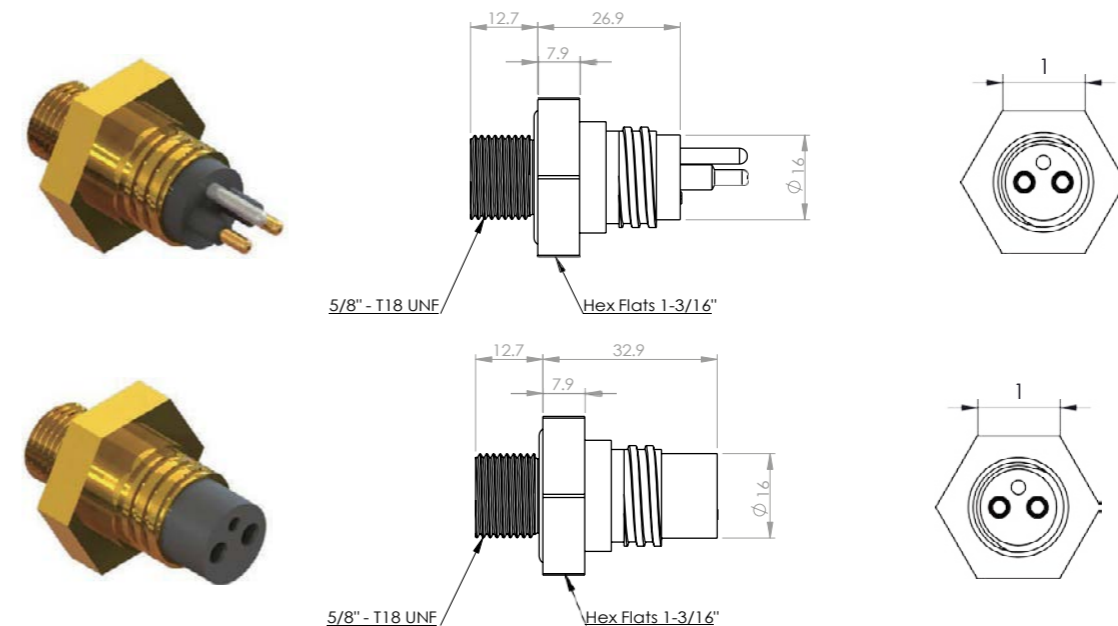
### METAL SHELL 15 / HEX BULKHEAD / MALE / CONTACT 2,3,4,5,6,8

Male	Contact	Inline	Dummy	Locking Sleeve
Order No.				
MS15HX2M	2	MCIL2F	MCDC2F	N/A
MS15HX3M	3	MCIL3F	MCDC3F	N/A
MS15HX4M	4	MCIL4F	MCDC4F	N/A
MS15HX5M	5	MCIL5F	MCDC5F	N/A
MS15HX6M	6	MCIL6F	MCDC6F	N/A
MS15HX8M	8	MCIL8F	MCDC8F	N/A

### METAL SHELL 15 / HEX BULKHEAD / FEMALE / CONTACT 2,3,4,5,6,8

Female	Contact	Inline	Dummy	Locking Sleeve
Order No.				
MS15HX2F	2	MCIL2M	MCDC2M	N/A
MS15HX3F	3	MCIL3M	MCDC3M	N/A
MS15HX4F	4	MCIL4M	MCDC4M	N/A
MS15HX5F	5	MCIL5M	MCDC5M	N/A
MS15HX6F	6	MCIL6M	MCDC6M	N/A
MS15HX8F	8	MCIL8M	MCDC8M	N/A

Dimensions in mm, Thread in inches



# Metal Shell 2 / Flange

## Contact 2, 3, 4, 1, 12



### OPERATION SPECIFICATION

Max. voltage	2,3,4 contacts 600 V DC 1,12 contacts 300V DC
Current rating @contact	2,3,4 contacts 10A 1,12 contacts 5A
Max. current @connector	30A
Insulation resistance	>200 Mohm
Contact resistance	<0.01 ohm
Wet matings	>500
Depth rating	600 bar
Temperature rating	-40 to 60°C

### MATERIAL SPECIFICATION

Connector body	Chloroprene rubber
Bulkhead body	Stainless steel 316(SS)
Contact	Gold plated brass
Socket	Beryllium copper
Location pin	Stainless steel 316
Inline cable	2,3,4 contacts AWG 18 PTFE, 30cm 1,12 contacts AWG 20 PTFE, 30cm

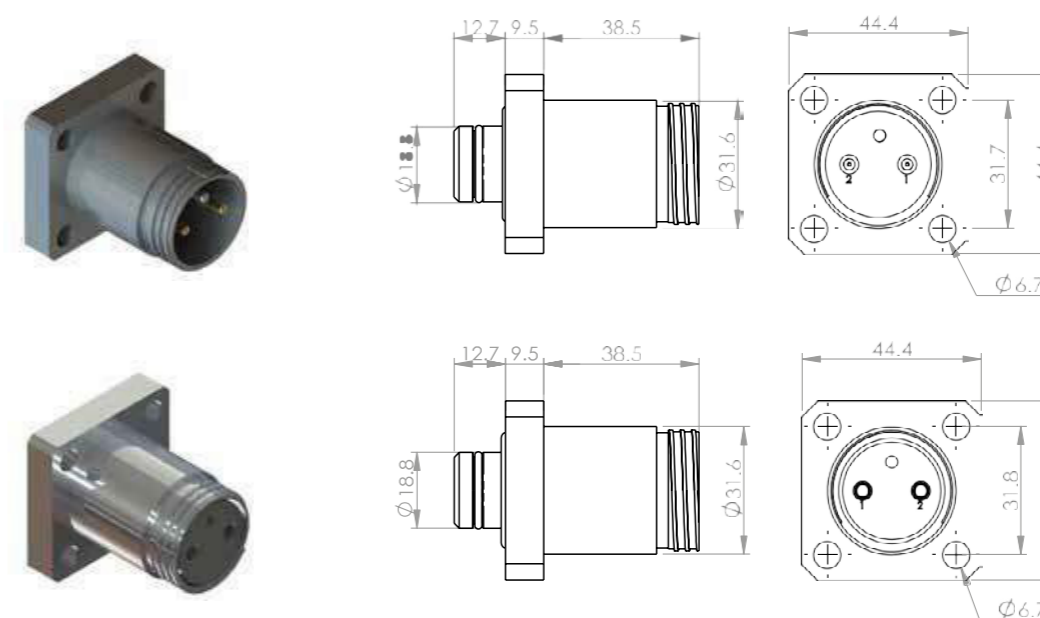
### METAL SHELL 2 / FLANGE / MALE / CONTACT 2,3,4,1,12

Male	Contact	Inline	Dummy	Locking Sleeve
Order No.				
MS2FR2M	2	IL2F	DC2F	MS2LSF-F
MS2FR3M	3	IL3F	DC3F	MS2LSF-F
MS2FR4M	4	IL4F	DC4F	MS2LSF-F
MS2FR10M	1	MCIL10F	MCDC10F	MS2LSF-F
MS2FR12M	12	MCIL12F	MCDC12F	MS2LSF-F

### METAL SHELL 2 / FLANGE / FEMALE / CONTACT 2,3,4,1,12

Female	Contact	Inline	Dummy	Locking Sleeve
Order No.				
MS2FR2F	2	IL2M	DC2M	MS2LSF-M
MS2FR3F	3	IL3M	DC3M	MS2LSF-M
MS2FR4F	4	IL4M	DC4M	MS2LSF-M
MS2FR10F	1	MCIL10M	MCDC10M	MS2LSF-M
MS2FR12F	12	MCIL12M	MCDC12M	MS2LSF-M

Dimensions in mm, Thread in inches



### FACE VIEW (MALE)



# Accessories

---

Locking Sleeve

Boot

Strap

Nut & Washer



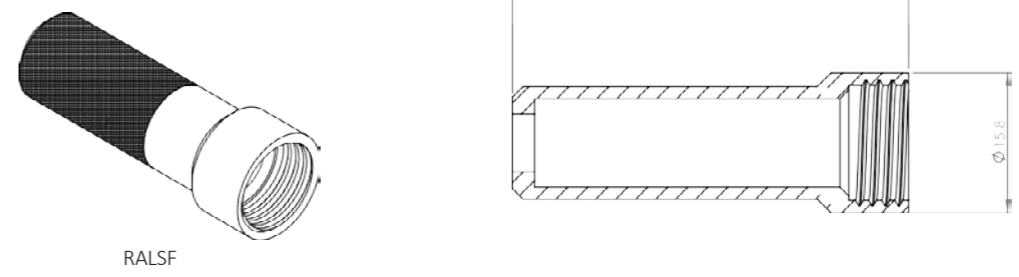
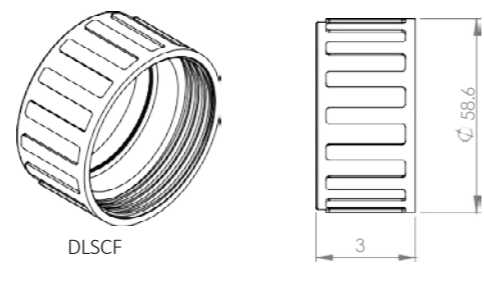
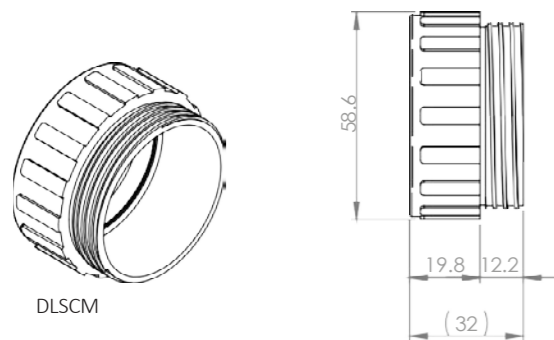
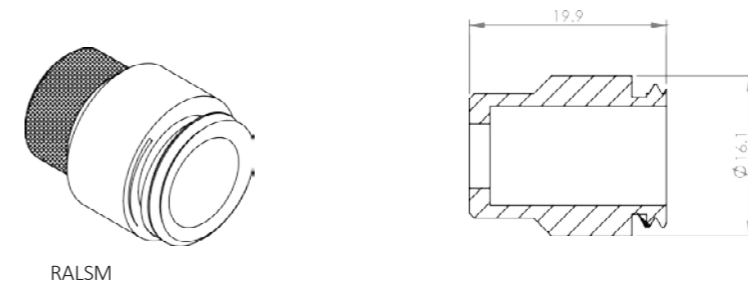
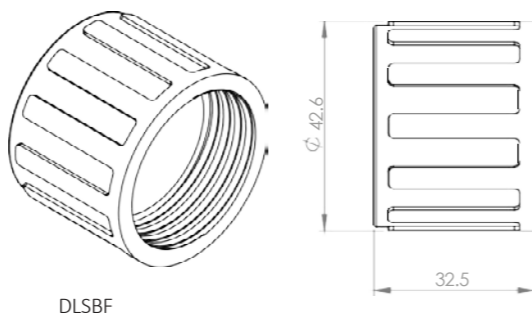
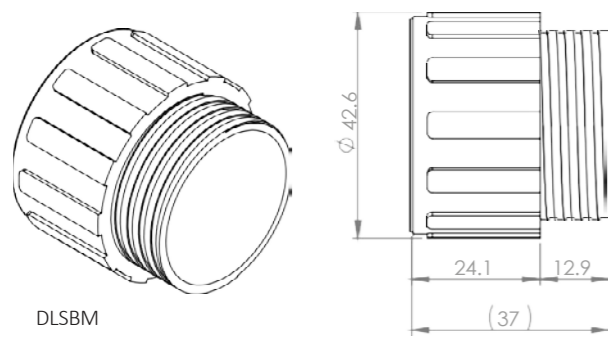
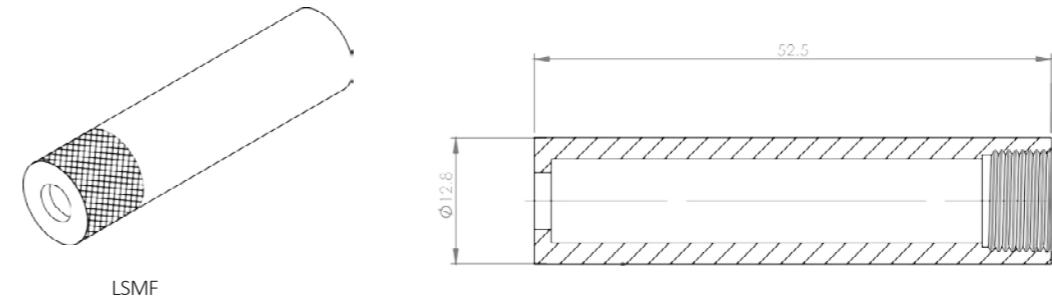
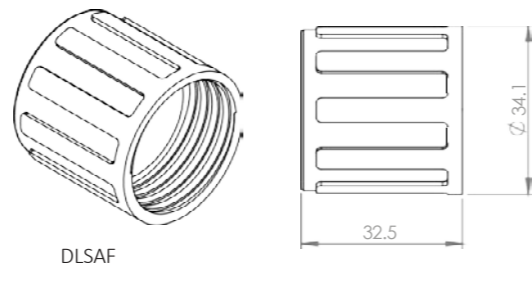
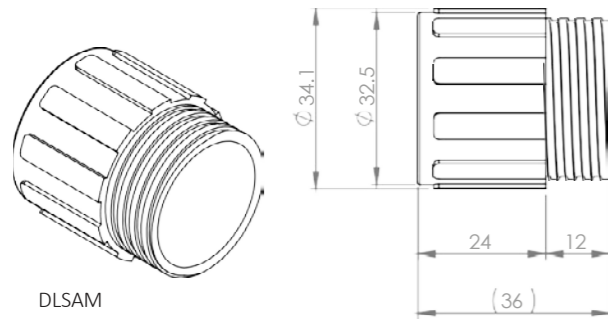
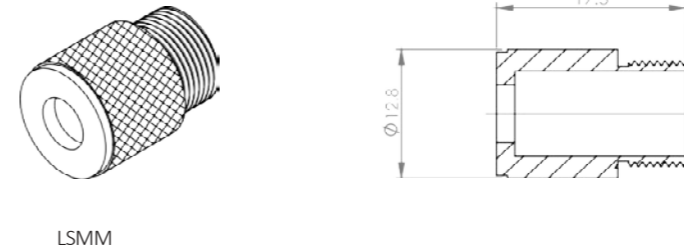
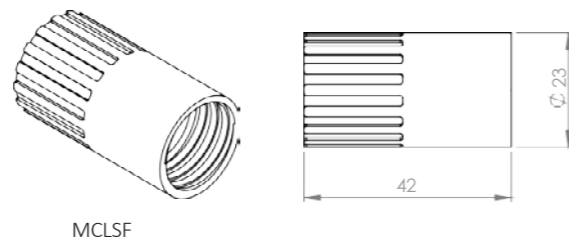
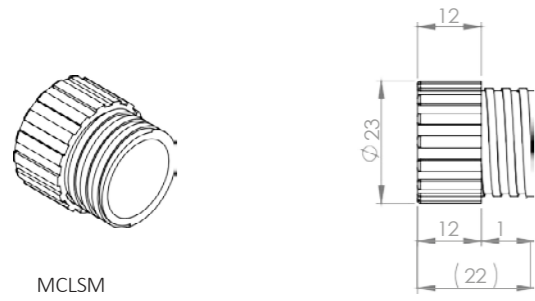
## Accessories / Locking Sleeve



### MATERIAL SPECIFICATION

Locking Sleeve body	POM
Snap Ring	Stainless steel 316

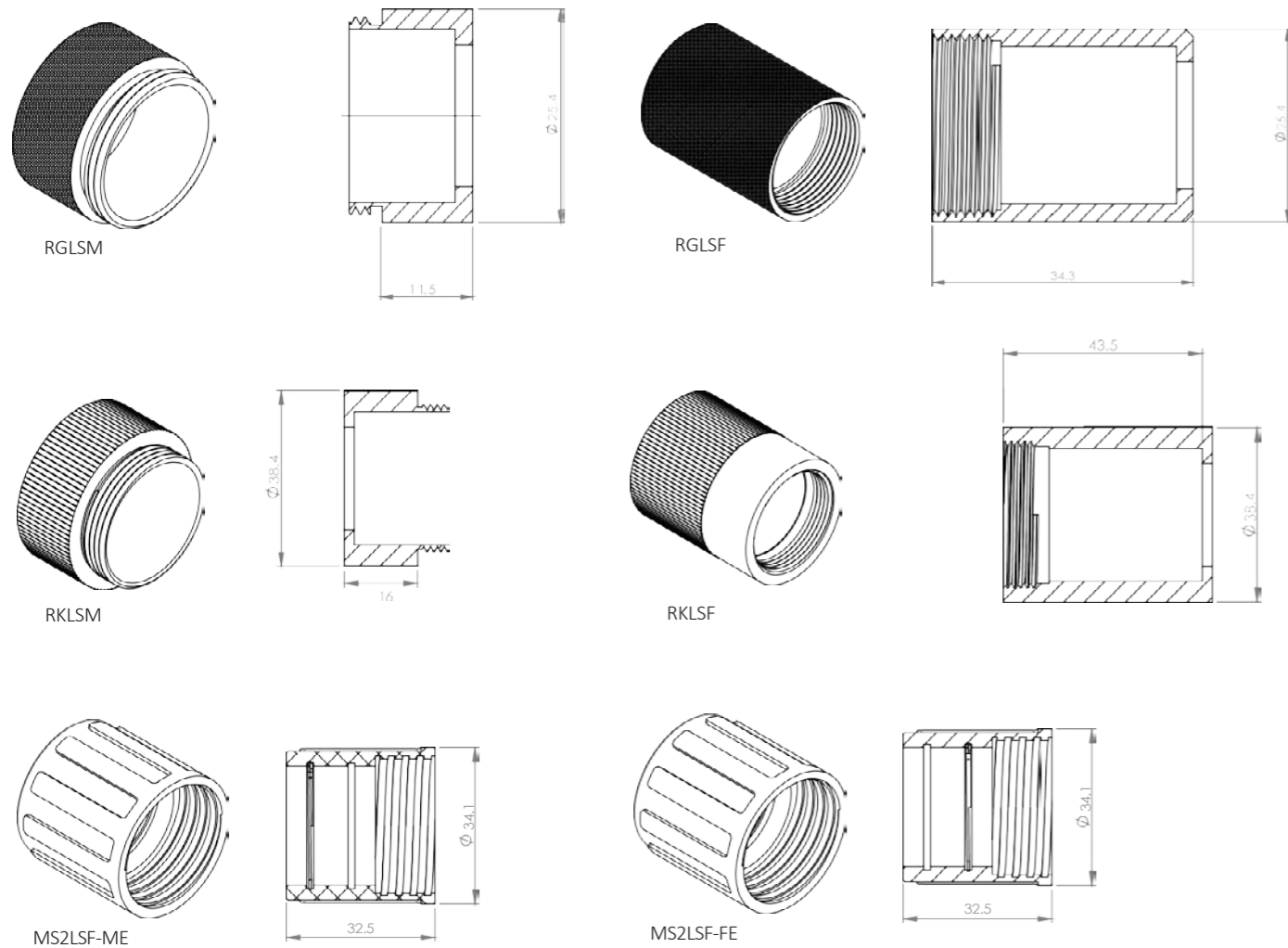
## Accessories / Locking Sleeve



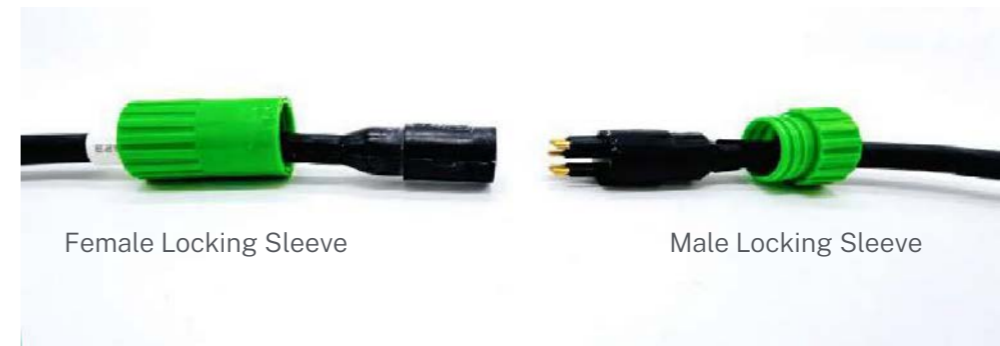
All product descriptions and specifications subject to change without notice

# Locking Sleeve / Install Instructions

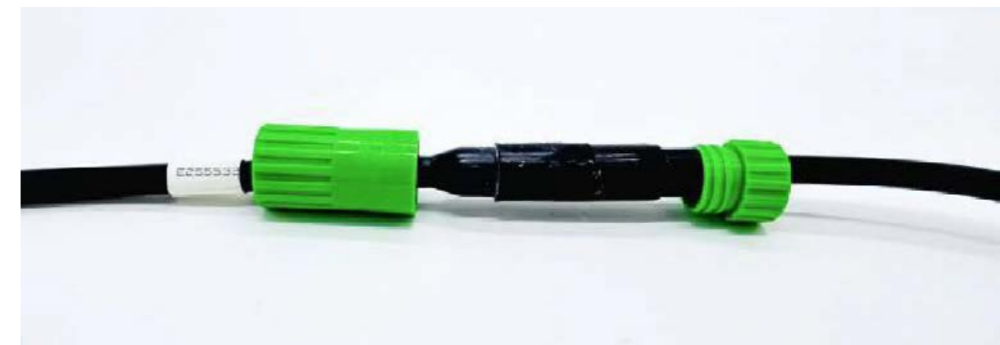
## Inline to Inline



DLSA, DLSB & DLSC locking sleeves supplied in **red** or **green**  
 Micro locking sleeves supplied in **black** or **green**



STEP 1



STEP 2



STEP 3

# Locking Sleeve / Install Instructions

Inline to MC 2-8 Bulkhead



In general, dummy connectors and locking sleeves are packed separately.

DLSA, DLSB & DLSC locking sleeves supplied in **red** or **green**

Micro locking sleeves supplied in **black** or **green**



Female Locking Sleeve

Male Locking Sleeve

STEP 1



STEP 2



STEP 3



STEP 4

## Accessories / Boot

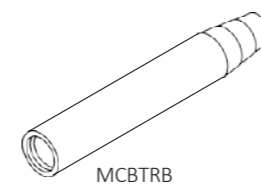
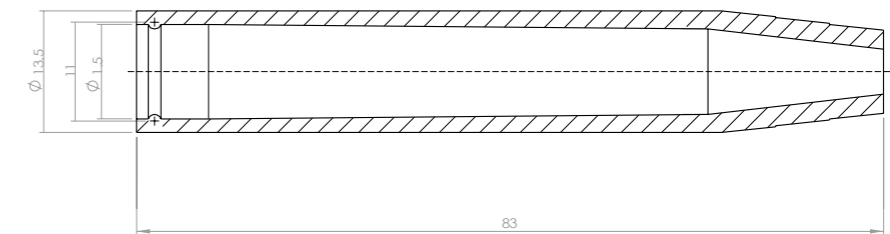
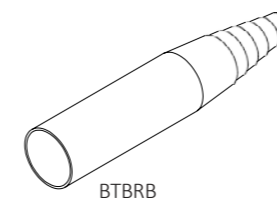
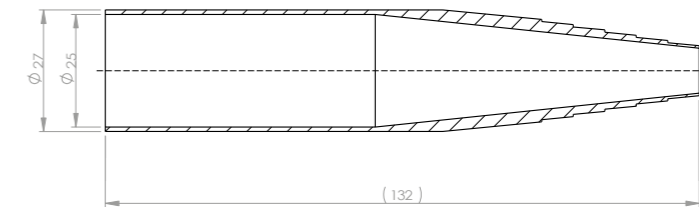
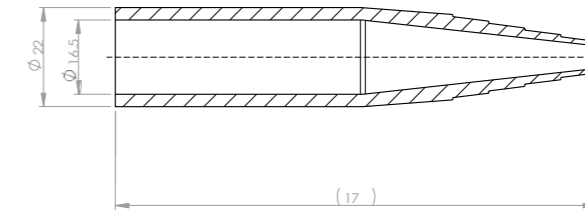
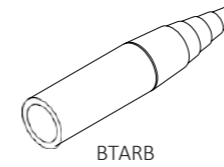


### MATERIAL SPECIFICATION

Boot body Rubber

### ACCESSORIES / OVERMOLDED / BOOT

Order No.	Contact	Mating Connector
BTARB	N/A	OM 2C-5C; MCOM 1C-16C; ETMCOM 13C, ETOM 8C
BTBRB	N/A	OM 6C-16C
MCBTRB	N/A	MCOM 2C-8C; ETMCOM 8C



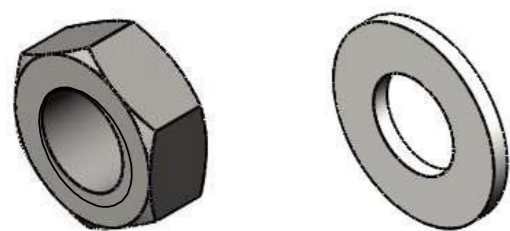
## Accessories / Strap



### MATERIAL SPECIFICATION

Strap body	Rubber
------------	--------

## Accessories / Nut & Washer

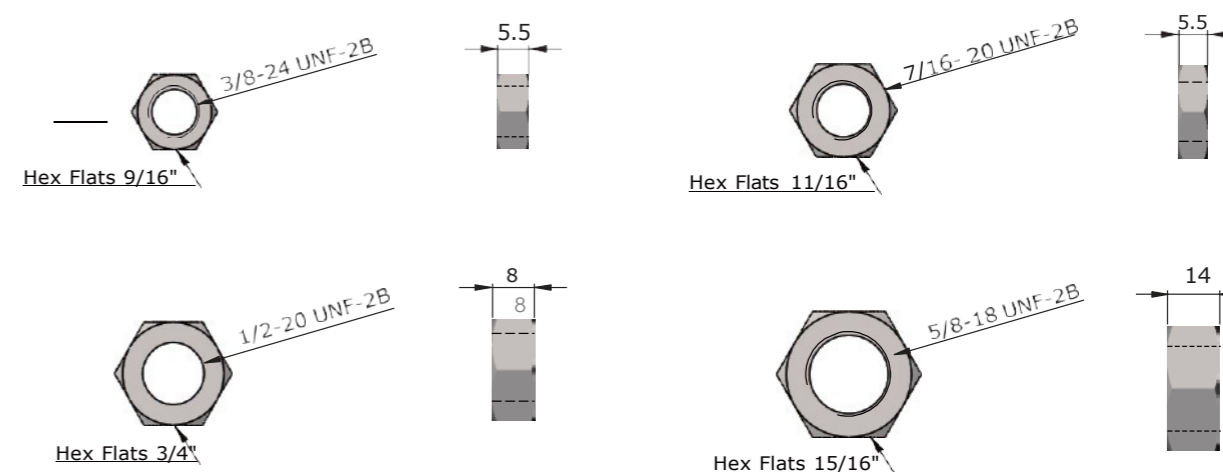


### MATERIAL SPECIFICATION

Material	Stainless steel
----------	-----------------

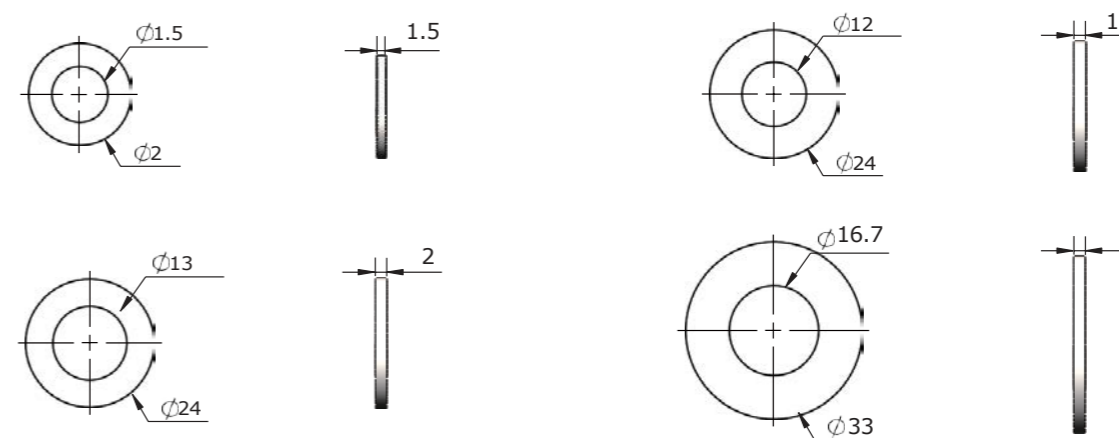
### NUT

Order No.	Spec.
NT382	3/8xT24 UNF
NT7164	7/16xT20 UNF
NT122	1/2xT20 UNF
NT581	5/8xT18 UNF



### WASHER

Order No.	Spec.
WS1191	10.5x19x1.5
WS12241	12x24x1.5
WS13241	13x24x2
WS16331	16.7x33x2



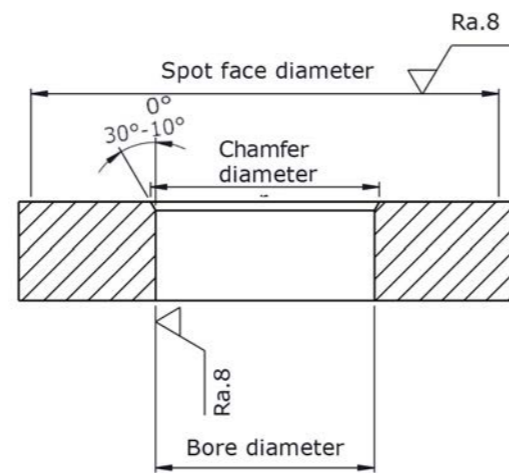
# General Information

## CONDUCTOR DIMENSIONS

Size of conductor, AWG	Diameter of solid conductor				Cross-sectional area of stranded conductor			
	Nominal		Minimum		Nominal		Minimum	
	Mils	(mm)	Cmils	(mm <sup>2</sup> )	Mils	(mm)	Cmils	(mm <sup>2</sup> )
20 3	2.0	0.813	31.7	.805	1020	.519	1000	.509
18 4	0.3	1.02	0.0	1.016	1620	.823	1588	.807

## MOUNTING REQUIREMENTS FOR METAL SHELL

Series	Bore $\varnothing$	Chamfer $\varnothing$	Spot Face $\varnothing$
	$\pm .5$ (mm)	$\pm .25$ (mm)	$\pm .4$ (mm)
MSG	17.50 1	8.5 2	6.
MSL	22.23 2	3.25 3	5.
MSM	35.30 3	6.50 4	8.



## HANDLING INSTRUCTIONS / NOTES

- Grease must be applied before every mating
- Make sure the socket of female connector is completely sealed with grease
- Make sure the proper torque (see table of "Recommend torque on the threads size") was applied
- DO NOT over tighten bulkhead nut
- DO NOT pull on cable to disconnect
- Dow Corning® 111 or MOLYKOTE® 44-M grease is recommended
- Replace o-ring when re-using connectors
- Keep the bulkhead o-ring groove clean
- Avoid o-ring cuts and nicks
- Avoid sharp bends at cable when mating to the connector

## RECOMMENDED TORQUE ON THREAD SIZE

Type M	Material	ft / lb	Torque-Nm
UNF 3/8-24	Brass	2.9	4.
	Stainless steel 4	.4 6	.0
	Titanium	4.4	6.
UNF 7/16-20	Brass	7.4	10
	Stainless steel 1	.3	14
	Titanium	10.3 1	4
UNF 1/2-20	Brass	11.1	5.
	Stainless steel 1	5.5	21.
	Titanium	15.5 2	1.
UNF 5/8-18	Brass	21.4 2	9.
	Stainless steel 3	0.2	41.
	Titanium	30.2 4	1.
UNF 3/4-16	Brass	32.4 4	4.
	Stainless steel 4	6.5	63.
	Titanium	46.5 6	3.
UNF 7/8-14	Brass	44.3 6	.0
	Stainless steel 5	9.00	80.0
	Titanium	59.8	.0